

ZS157FMJ-2 (ZY150) 发动机 零件目录及图册签署页

编 制： _____

校 对： _____

审 核： _____

审 定： _____

批 准： _____

说 明

用户订购零件时请参考本册，若与实车不同之处，以实车为准。如欲知某零部件的名称、件号或装配关系，可按零部件的形状，在有关的插图中查找，可知其装配位置。然后按图上的序号在相应的表格中即可查到该零部件的名称、件号和数量。后续更改，不再通知。

FOREWORD

Please make reference to this book when you plan to purchase the parts. Any difference against the real motorcycle, please do as per the real. To get information concerning a certain component part, first locate, by its shape, the part in the illustration which show its fitting position, then find out the reference number of that part and look it up in the corresponding table where all informatung about the part are provided, such as the name, part number, quantity and/or its fitting relationship with other parts. Any modifications will not be informed ahead of time.

名称:ZY150发动机零部件目录及图册

Doc.Title :PARTS-BREAKDOWN CATALOGUE FOR ZY150 ENGING

发动机名称: ZY150

Doc.no (Model code):ZY150

公司名称: 宗申

Brand Name :ZONGSHEN

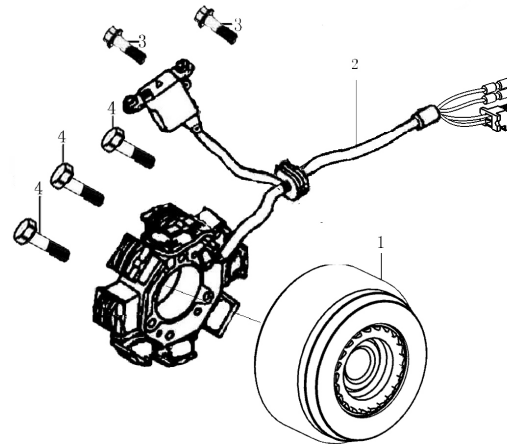
Revision Number:

Date of Release:16.12.2011

Page :1 of 13

PAGE	中文名称	ENGLISH DESCRIPTION
1	气缸头部件/气缸体部件	CYLINDER HEAD ASSY/CYLINDER ASSEMBLY
2	配气机构	VALVE MECHANISM
3	曲轴箱盖	CRANKCASE COVER
4	离合器总成	CLUTCH ASSY
5	机油泵部件/机油滤清器部件	OIL PUMP/OIL FILTER
6	曲轴箱	CRANKCASE
7	曲轴连杆部件/活塞	CRANKSHAFT CONNECTING-ROD ASSY/PISTON
8	传动机构	TRANSMISSION MECHANISM
9	变速机构	GEARSHIFT MECHANISM
10	磁电机总成	MAGNETO COMP
11	电启动机构	ELECTRIC STARTING MECHANISM
12	电器件	ELECTRIC
13	废气再循环系统	EXHAUST GAS RECIRCULATION SYSTEM
14		
15		
16		
17		
18		

磁电机总成 MAGNETO COMP					
序号 NO.	编码 (PART CODE)	中文名称 (CHINESE DESCRIPTION)	英文名称 (ENGLISH DESCRIPTION)	数量 QTY	备注REMARK
1	82130-JG03-0100	ZY150-2#磁电机转子组合(12V8极)	ROTOR ASSY, MAGNETO	1	
2	82120-JG03-010043	ZY150-2#磁电机定子组合[(12V8极全波直流散线) L:430]接口68	STATOR ASSY, MAGNETO	1	
3	B16674A006001670X	GB16674小盘螺栓M6×16(兰白锌)	BOLT M6×10	2	
4	B057830005002520X	GB5783螺栓M5×25(兰白锌)	BOLT M5×25	3	
5					
6					
7					
8					
9					
10					
11					
12					
13					
14					
15					
16					
17					
18					
19					
20					
21					
22					
23					
24					
25					
26					
27					
28					
29					
30					
31					
32					
33					
34					
35					
36					
37					
38					
39					
40					
41					
42					
43					
44					
45					



磁电机总成 MAGNETO COMP