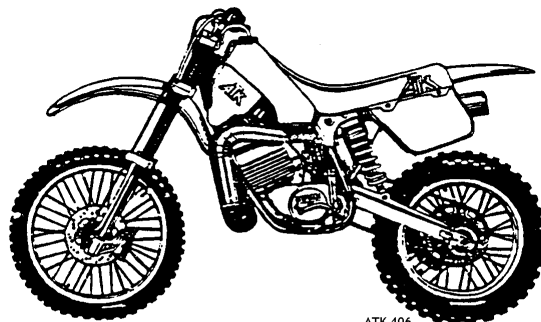


**SPARE PARTS LIST  
FOR ROTAX ENGINE**

**TYPE 406**

**EDITION 88-96**



ATK 406

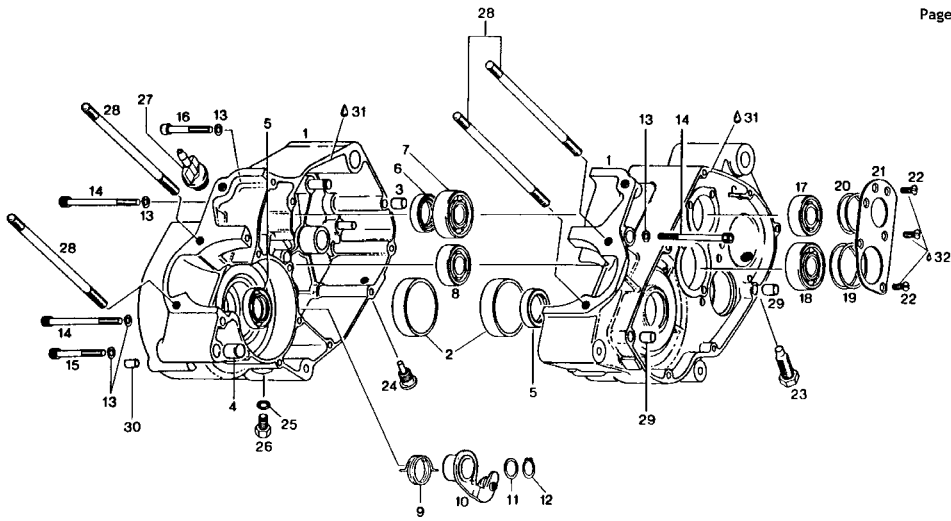
**ATK MOTORCYCLES**  
1163 W 850 N  
CENTERVILLE UT. 84014  
(801) 298-8288

Inhaltsverzeichnis  
Table of Contents

Seite  
Page

---

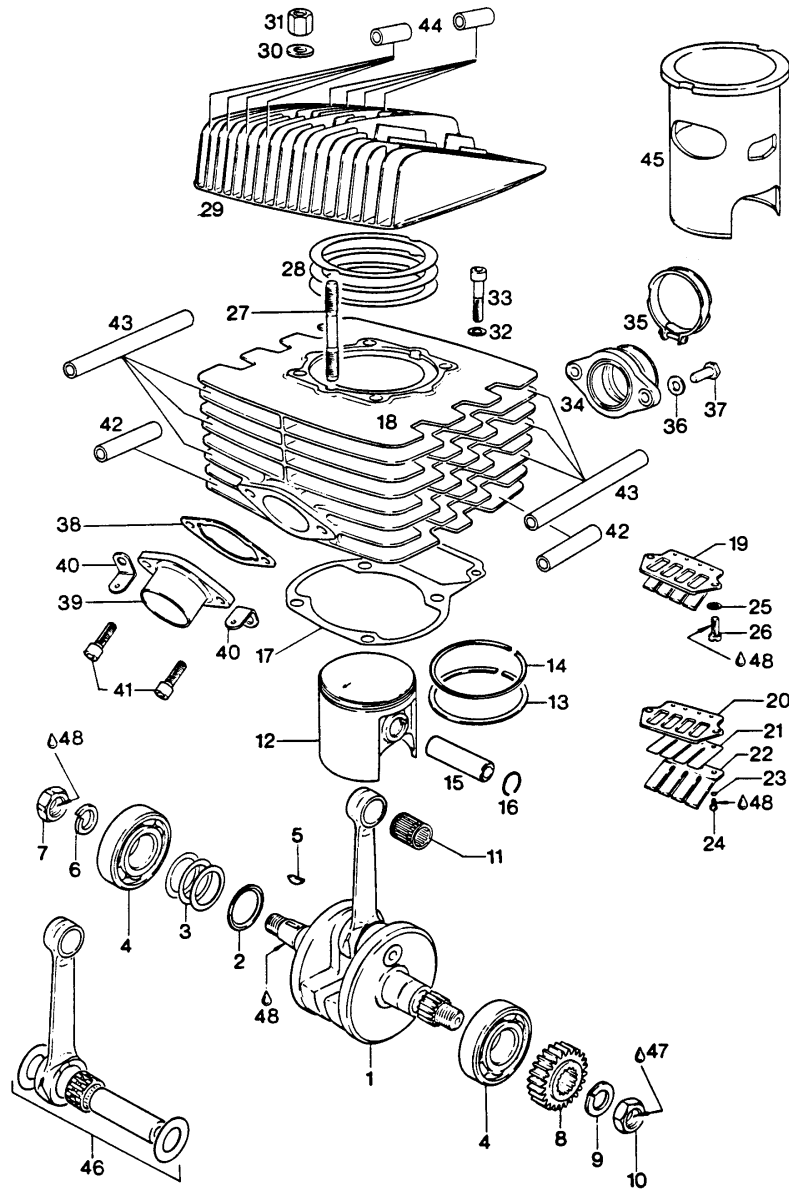
1	Kurbelgehäuse Crankcase
4	Kurbelwelle, Kolben, Zylinder, Zylinderkopf, Ansaugmembrane Crankshaft, Piston, Cylinder, Cylinder Head, Reed Valve
9	5-Gang Getriebe 5-speed transmission
13	Kupplung, Kickstarter Clutch, Kick Start
16	Zünderdeckel, Kupplungsdeckel Magneto Cover, Clutch Cover
18	Motoplat Magnetzündler-Generator 6V 40/21/10W Motoplat Magneto-Generator 6V 40/21/10W
20	Reparaturwerkzeuge, Dichtungssatz Repair Tools, Gasket Set



CRANKCASE  
-----

ILL. NO.	PART NO.	D E S C R I P T I O N	QTY.
1 - 4	292 049	GEHAEUSE KPL. / CRANKCASE ASSY.....	1
2	260 470	GEHAEUSERING / CRANKCASE RING.....	2
3	229 140	PASSHUELSE 9,8X10 / DOWEL 9,8X10.....	1
4	229 160	PASSHUELSE 13,8X15 / DOWEL 13,8X15.....	1
5	230 425	WD-RING AS 28X38X7 / OIL SEAL 28X38X7.... FUER MAGNET- UND KUPPLUNGSSEITIG FOR MAGNETO- AND CLUTCH SIDE	2
6	230 395	WD-RING AS 25X40X7 / OIL SEAL 25X40X7.... FUER HAUPTWELLE FOR MAIN SHAFT	1
7	932 420	RK-LAGER 6205 C3 BALL BEARING 6205 C3, 25-52-15..... FUER HAUPTWELLE 25-52-15 FOR MAIN SHAFT	1
8	232 850	RK-LAGER 6203 E TVH C3 BALL BEARING 6203E TVH, 17-40-12..... FUER VORGELEGEWELLE 17-40-12 FOR CLUTCH SHAFT	1
9	239 750	INDEXFEDER / INDEX SPRING.....	1
10	248 977	ROLLENINDEX KPL. / INDEX LEVER ASSY.....	1
11	227 800	ANLAUFSCHIEBE 16,2/21/0,4 THRUST WASHER 16,2/21/0,4.....	1
12	945 840	SICHERUNGSRING 15X1 DIN 471 LOCKING RING 15X1.....	1
13	945 751	FEDERRING A6 DIN 128 / LOCK WASHER A6....	13
14	241 871	ZYL.SCHRAUBE M6X70 DIN 912 ALLEN SCREW M6X70.....	8
15	240 330	ZYL.SCHRAUBE M6X55 DIN 912 ALLEN SCREW M6X55.....	4
16	241 761	ZYL.SCHRAUBE M6X50 DIN 912 ALLEN SCREW M6X50.....	1
17	932 030	RK-LAGER 6203 C3 BALL BEARING 6203 C3, 17-40-12..... FUER HAUPTWELLE 17-40-12 FOR MAINSHAFT	1
18	932 432	RK-LAGER 6204 C3 BALL BEARING 6204 C3, 20-47-14..... FUER VORGELEGEWELLE 20-47-14 FOR CLUTCHSHAFT	1

ILL. NO.	PART NO.	DESCRIPTION	QTY.
19	227 610	AUSGLEICHSCHEIBE 40/46,5/0,5 SHIM 40/46,5/0,5..... AS REQ FUER VORGELEGEWELLE FGR CLUTCH SHAFT	
19	227 611	AUSGLEICHSCHEIBE 40/46,5/0,3 SHIM 40/46,5/0,3..... AS REQ	
19	227 612	AUSGLEICHSCHEIBE 40/46,5/0,1 SHIM 40/46,5/0,1..... AS REQ	
20	227 520	AUSGLEICHSCHEIBE 34/39,5/0,5 SHIM 34/39,5/0,5..... AS REQ FUER HAUPTWELLE FOR MAIN SHAFT	
20	227 521	AUSGLEICHSCHEIBE 34/39,5/0,3 SHIM 34/39,5/0,3..... AS REQ	
20	227 522	AUSGLEICHSCHEIBE 34/39,5/0,1 SHIM 34/39,5/0,1..... AS REQ	
21	227 110	HALTEBLECH / RETAINING PLATE.....	1
22	940 315	SENKSCRAUBE M5X12 DIN 963 COUNTERSUNK SCREW M5X12.....	5
23	241 777	AUSRUECKSCHRAUBE M12 / HEX.SCREW M12..... ANZUGSDREHMOMENT 75 NM TIGHTENING TORQUE 75 NM	1
24	241 781	MAGNETSCHRAUBE M12X1,5 MAGNETIC DRAIN PLUG M12X1,5.....	1
25	950 141	DICHTRING A8X13 DIN 7603 GASKET RING A8X13.....	1
26	940 251	SK-SCHRAUBE M8X9 DIN 933 HEX. SCREW M8X9.....	1
27	241 925	ENTLUEFTERSCHRAUBE M18X1,5 AIR VENT SCREW M18X1,5.....	1
28	240 345	STIFTSCHRAUBE M10X186 / STUD M10X186..... ANZUGSDREHMOMENT 10 NM TCRQUE 10 NM	4
29	229 140	PASSHUELSE 9,8X10 / DOWEL 9,8X10.....	2
30	949 900	PASSHUELSE 8,4X10 / DOWEL 8,4X10.....	3
31		LOCTITE 574 LOCTITE 574 ORANGE 50 CC..... NA FLAECHENDICHTUNSMITTEL 50 CCM SEALING CCMPDUND	
32		SCHRAUBENSICHERUNG NIEDRIGFEST LOCTITE 221 VIOLET 10 CC..... NA LCCTITE 221 VIOLETT, 10 CCM LOW STRENGTH BOND	



CRANKSHAFT, PISTON, CYLINDER, CYLINDER HEAD  
 REED VALVE  
 -----

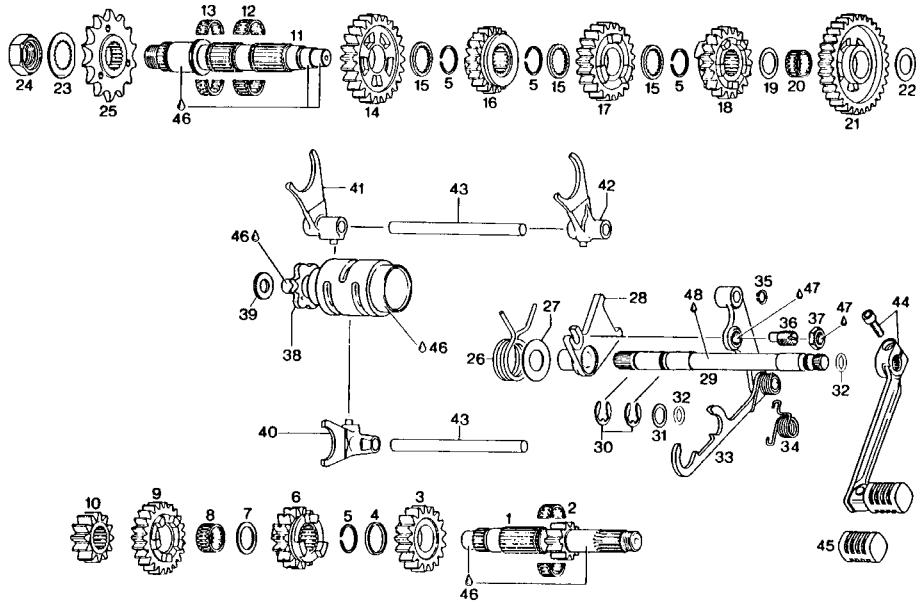
ILL. NO.	PART NO.	DESCRIPTION	QTY.
1	292 290	KURBELWELLE KPL. / CRANKSHAFT ASSY.....	1
2	827 410	RADIUSSCHEIBE 30,8/39,5/1 DISTANCE RING 30,8/39,5/1.....	1
		FUER KURBELWELLE, MAGNETSEITIG FCR CRANKSHAFT, MAGNETO SIDE	
3	944 582	AUSGLEICHSCHIEBE 30,4/40,5/0,3 SHIM 30,4/40,5/0,3.....	AS REQ
		FUER KURBELWELLE, MAGNETSEITIG FCR CRANKSHAFT, MAGNETO SIDE	
3	944 583	AUSGLEICHSCHIEBE 30,4/40,5/0,1 SHIM 30,4/40,5/0,1.....	AS REQ
3	944 586	AUSGLEICHSCHIEBE 30,4/40,5/0,2 SHIM 30,4/40,5/0,2.....	AS REQ
4	932 570	RK-LAGER 6306 C3 BALL BEARING 6306 C3, 30-72-19.....	2
		FUER KURBELWELLE, 30-72-19	
5	246 011	SCHEIBENFEDER 3X5 DIN 6888 WCDRUFF KEY 3X5.....	1
6	245 400	FEDERRING 18 DIN 7980 / LOCK WASHER 18...	1
7	942 225	SK-MUTTER M18X1,5 / HEX. NUT M18X1,5.....	1
		ANZUGSDREHMOMENT 100 NM TIGHTENING TORQUE 100 NM	
8	292 139	PRIMAERTRIEB KPL. / PRIMARY DRIVE ASSY... NUR ANTRIEBSRAD UND KUPPLUNGSKORB KPL. GEMEINSAM AUSTAUSCHEN REPLACE ONLY DRIVE GEAR WITH CLUTCH DRUM ASSY.	1
9	945 757	SPERRKANTRING 18 DIN 128 A LOCK WASHER 18.....	1
10	942 220	SK-MUTTER M18X1,5 DIN 936 HEX. NUT M18X1,5.....	1
		ANZUGSDREHMOMENT 80 NM TIGHTENING TORQUE 80 NM	
11	932 904	KOLBENBOLZENKAEFIG K 18X22X22 NEEDLE CAGE 18X22X22.....	1

ILL. NO.	PART NO.	DESCRIPTION	QTY.
12 - 14	292 075	KOLBEN KPL. 84 MM PISTON ASSY. WITH RINGS 84,0 MM..... MIT RINGEN, STANDARD ROT 83,93 MM STANDARD GRUEN 83,94 MM WITH RINGS, STANDARD RED 83,93 MM STANDARD GREEN 83,94 MM	1
12 - 14	292 076	KOLBEN KPL. 84,25 MM PISTON ASSY. WITH RINGS 84,25 MM..... MIT RINGEN, 1. SCHLIFF ROT 84,18 MM 1. SCHLIFF GRUEN, 84,19 MM WITH RINGS, 1ST OVERSIZE RED 84,18 MM 1ST OVERSIZE GREEN, 84,19 MM	1
12 - 14	292 077	KOLBEN KPL. 84,5 MM PISTON ASSY. WITH RINGS 84,5 MM..... MIT RINGEN, 2. SCHLIFF ROT 84,43 MM 2. SCHLIFF GRUEN 84,44 MM WITH RINGS, 2ND OVERSIZE RED 84,43 MM 2ND OVERSIZE GREEN 84,44 MM	1
13	215 250	R-RING IS2-84/77,4X2 RECTANGULAR RING 84,0 MM..... STANDARD STANDARD	1
13	215 251	R-RING IS2-84,25/77,65X2 RECTANGULAR RING 84,25 MM..... 1. SCHLIFF 1ST OVERSIZE	1
13	215 252	R-RING IS2-84,5/77,9X2 RECTANGULAR RING 84,5 MM..... 2. SCHLIFF 2ND OVERSIZE	1
14	215 240	ETL-RING IS2-84/77,4X2 SEMI-TRAPEZ RING 84,0 MM..... STANDARD STANDARD	1
14	215 241	ETL-RING IS2-84,25/77,65X2 SEMI-TRAPEZ RING 84,25 MM..... 1. SCHLIFF 1ST OVERSIZE	1
14	215 242	ETL-RING IS2-84,5/77,9X2 SEMI-TRAPEZ RING 84,5 MM..... 2. SCHLIFF 2ND OVERSIZE	1
15	916 186	KOLBENBOLZEN 18X11X58,7 PISTON PIN 18X11X58,7.....	1
16	945 735	NULLHAKENRING 18 / CIRCLIP 18.....	2



ILL. NO.	PART NO.	DESCRIPTION	QTY.
17	230 720	DICHTUNG / GASKET.....	1
18	213 137	ZYLINDER MIT BUECHSE CYLINDER WITH SLEEVE..... ROT 84,00-84,01 MM / GRUEN 84,01-84,02 MM RED 84,00-84,01 MM / GREEN 84,01-84,02 MM	1
19	224 188	VENTILTRAEGER KPL. / REED VALVE ASSY.,...	1
20	224 183	VENTILTRAEGER VULK. / REED VALVE PLATE...	1
21	224 160	BLATTVENTIL / REED PETAL.....	1
22	224 175	VENTILANSLAG / REED PETAL STOP.....	1
23	245 090	FEDERRING A3 DIN 128 / LOCK WASHER A3....	4
24	240 350	LINSENSCHRAUBE M3X6 DIN 7985 / SCREW M3X6	4
25	945 751	FEDERRING A6 DIN 128 / LOCK WASHER A6....	2
26	940 085	ZYL.SCHRAUBE M6X16 DIN 84 SLOTTED HEAD SCREW M6X16.....	2
27	240 165	STIFTSCHRAUBE M10X81 / STUD M10X81.....	2
28	230 730	VERDICHTUNGSBEILAGE / COMPRESSION SHIM...	3
28	230 730	VERDICHTUNGSBEILAGE COMPRESSION SHIM.....	AS REQ
29	213 290	ZYLINDERKOPF / CYLINDER HEAD.....	1
30	927 410	SCHEIBE 10,5 DIN 125 / WASHER 10,3.....	6
31	842 142	SK-MUTTER M10 HOEHE 15 / HEX. NUT M10....	6
32	945 752	FEDERRING A8 DIN 128 / LOCK-WASHER A8....	2
33	840 681	ZYL.SCHRAUBE M8X40 DIN 912 ALLEN SCREW M8X40.....	2
34 - 35	267 785	VERGASERSTUTZEN KPL. RUBBER FLANGE ASSY.,..... ANZUGSDREHMOMENT 15 NM TIGHTENING TORQUE 15 NM	1
35	251 850	SCHLAUCHSCHELLE 51 / HOSE CLAMP 51.....	1
36	250 311	SCHEIBE 8,4 DIN 125 / WASHER 8,4.....	2
37	940 591	SK-SCHRAUBE M8X20 DIN 933 HEX.SCREW M8X20.....	2
38	830 271	DICHTUNG / GASKET.....	1

ILL. NO.	PART NO.	D E S C R I P T I O N	QTY.
39	273 694	AUSPUFFSTUTZEN / EXHAUST SOCKET.....	1
40	224 067	FEDEREINHAENGUNG / SPRING BRACKET.....	2
41	240 081	ZYL.SCHRAUBE M8X25 DIN 912 ALLEN SCREW M8X25.....	2
42	830 453	GUMMISCHLAUCH 9,5X14X70 SILENCING TUBE 9,5X14X70.....	4
43	830 454	GUMMISCHLAUCH 9,5X14X150 SILENCING TUBE 9,5X14X150.....	12
44	830 452	GUMMISCHLAUCH 9,5X14X35 SILENCING TUBE 9,5X14X35.....	16
45	213 140	ZYLINDERBUECHSE / CYLINDER SLEEVE.....	1
46	292 294	KURBELWELLENSATZ KPL. CRANKSHAFT REPAIR KIT.....	1
47		LOCTITE 648 GRUEN LOCTITE 648 GREEN 6 CC.,..... SCHRAUBENSICHERUNG HOCHFEST, 6 CCM HIGH STRENGTH BOND	NA
48		SCHRAUBENSICHERUNG NIEDRIGFEST LOCTITE 221 VIOLET 10 CC.,..... LOCTITE 221 VIOLETT, 10 CCM LOW STRENGTH BOND	NA

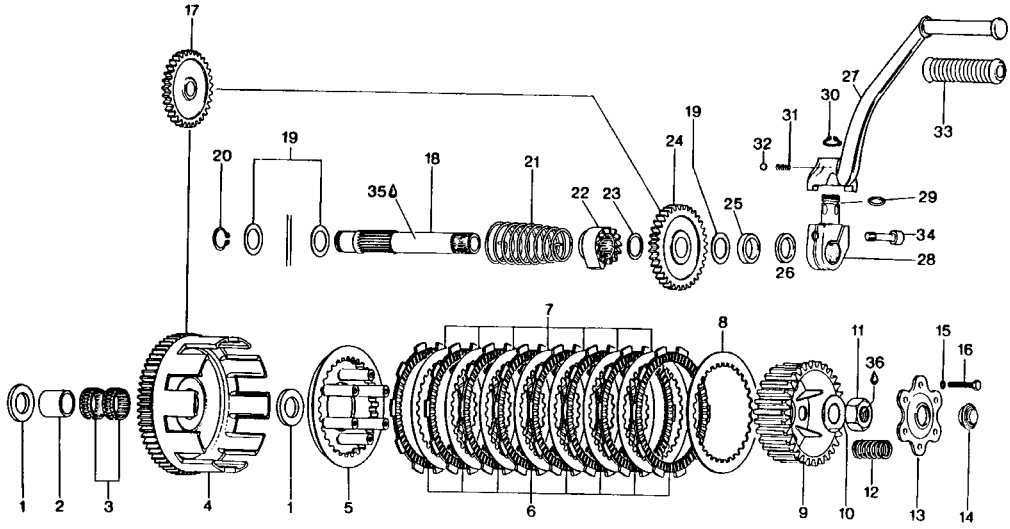


5-SPEED TRANSMISSION  
-----

ILL. NO.	PART NO.	D E S C R I P T I O N	QTY.
1 - 24	281 064	GETRIEBESATZ 349/406 TRANSMISSION SET 5 SPEED..... 5-GANG 5-SPEED	1
1	237 560	VORGELEGEWELLE 13 Z / CLUTCH SHAFT 13 T.. 1. GANG 1ST SPEED	1
2	232 795	NADELKAEFIG K 20X24X12 NEEDLE BEARING 20X24X12.....	1
3	235 620	LOS RAD 17 Z / GEAR 17 T..... 4. GANG, VORGELEGEWELLE 4TH SPEED, CLUTCH SHAFT	1
4	227 475	ANLAUFSCHIEBE 24,2/27,5/2,3 THRUST WASHER 24,2/27,5/2,3.....	1
5	245 340	SPRENGRING 24 / SNAPRING 24.....	4
6	235 603	SCHALTRAD 15 Z / GEAR 15 T..... 3. GANG, VORGELEGEWELLE 3RD SPEED, CLUTCH SHAFT	1
7	227 445	ANLAUFSCHIEBE 21,2/27,5/1 THRUST WASHER 21,2/27,5/1.....	1
8	232 805	NADELKAEFIG K 21X25X13 NEEDLE BEARING 21X25X13.....	1
9	235 665	LOS RAD 23 Z / GEAR 23 T..... 5. GANG, VORGELEGEWELLE 5TH SPEED, CLUTCH SHAFT	1
10	235 646	FESTRAD 13 Z / GEAR 13 T..... 2. GANG, VORGELEGEWELLE 2ND SPEED, CLUTCH SHAFT	1
11	237 536	HAUPTWELLE / MAIN SHAFT.....	1
12	232 800	NADELKAEFIG K 21X25X13 F NEEDLE BEARING 21X25X13.....	1
13	232 740	NADELKAEFIG K 21X25X10 NEEDLE BEARING 21X25X10.....	1
14	235 658	LOS RAD 23 Z / GEAR 23 T..... 2. GANG, HAUPTWELLE 2ND SPEED, MAIN SHAFT	1

ILL. NO.	PART NO.	DESCRIPTION	QTY.
15	227 465	ANLAUFSCHEIBE 22/30/2,6 THRUST WASHER 22/30/2,6.....	3
16	235 113	SCHALTRAD 21 Z / GEAR 21 T..... 5. GANG, HAUPTWELLE 5TH SPEED, MAIN SHAFT	1
17	235 610	LOS RAD 21 Z / GEAR 21 T..... 3. GANG, HAUPTWELLE 3RD SPEED, MAIN SHAFT	1
18	235 633	SCHALTRAD 19 Z / GEAR 19 T..... 4. GANG, HAUPTWELLE 4TH SPEED, MAIN SHAFT	1
19	944 468	ANLAUFSCHEIBE 20,5/30/1 THRUST WASHER 20,5/30/1.....	1
20	232 790	NADELKAEFIG K 20X24X12 JP NEEDLE BEARING 20X24X12.....	1
21	235 473	LOS RAD 31 Z / GEAR 31 T..... 1. GANG, HAUPTWELLE 1ST SPEED, MAIN SHAFT	1
22	227 430	ANLAUFSCHEIBE 17,2/30/1 THRUST WASHER 17,2/30/1.....	1
23	245 390	SICHERUNGSBLECH NA24 / TAB WASHER NA24...	1
24	242 650	SK-MUTTER M20X1,5 HOEHE 12 HEX. NUT M20X1,5..... ANZUGSDREHMOMENT 100 NM TIGHTENING TORQUE 100 NM	1
25	236 041	KETTENRAD 15 Z / SPROCKET 15 T..... SERIENMAESSIG MONTIERT MOUNTED AS STANDARD	1
25	236 040	KETTENRAD 14 Z / SPROCKET 14 T.....	1
25	236 042	KETTENRAD 16 Z / SPROCKET 16 T.....	1
26	239 640	HAARNAELFEDER / SPRING.....	1
27	427 070	SCHEIBE 18,2/34/1 THRUST WASHER 18,2/34/1.....	1
28	258 575	SCHWENKHEBEL TRANSMISSION ACTUATING LEVER.....	1
29	237 511	SCHALTWELLE / SHIFT SHAFT.....	1
30	945 790	SICHERUNGSSCHEIBE 12 DIN 6799 CIRCLIP 12.....	2

ILL. NO.	PART NO.	DESCRIPTION	QTY.
31	944 851	AUSGLEICHSCHIBE 14,3/20/0,5 SHIM 14,3/20/0,5.....	1
32	430 110	O-RING 10-2,7 NBR 70-80 SH O-RING 10-2,7.....	2
33	258 645	SCHALTKLINKE KPL. / PAWL ASSY.,.....	1
34	239 650	KLINKENFEDER / PAWL SPRING.....	1
35	245 330	SICHERUNGSRING 10X1 DIN 471 SNAPRING 10X1.....	1
36	241 805	EXZENTERSCHRAUBE M12X1 PAWL POSITIONING SCREW M12X1.....	1
37	242 270	SK-MUTTER M12X1 HOEHE 4 / HEX.NUT M12X1..	1
38	258 747	SCHALTWALZE KPL. / SHIFT DRUM ASSY.,.....	1
39	827 265	SCHEIBE 12,5/21,5/2 / WASHER 12,5/21,5/2.	1
40	258 725	SCHALTGABEL KPL. / SHIFT FORK ASSY.,..... 4./5. GANG 4TH/5TH SPEED	1
41	258 715	SCHALTGABEL KPL. / SHIFT FORK ASSY.,..... 2. GANG 2ND SPEED	1
42	258 705	SCHALTGABEL KPL. / SHIFT FORK ASSY.,..... 1./3. GANG 1ST/3RD SPEED	1
43	258 540	SCHALTSTANGE / GUIDE PIN.....	2
44 - 45	248 919 88-93' 120026 94-96'	FUSSSCHALTHEBEL KPL. / SHIFT LEVER ASSY.,	1
45	260 547 88-93' 260 548 94-96'	KLAPPHEBELMUFFE / RUBBER.....	1
46		LOCTITE ANTI-SEIZE 76710 LOCTITE ANTI-SEIZE 10 GR.,..... ZUR VERHINDERUNG VON PASSUNGSROST, 10 GR., TO PREVENT METAL GALLING	NA
47		SCHRAUBENSICHERUNG NIEDRIGFEST LOCTITE 221 VIOLET 10 CC.,..... LOCTITE 221 VIOLETT, 10 CCM LOW STRENGTH BOND	NA
48		..... BP-ENERGREASE LS 3 BP-ENERGREASE LS 3	NA



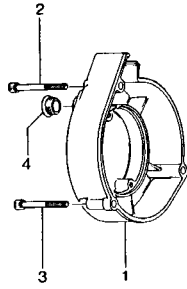
CLUTCH, KICK START  
-----

ILL. NO.	PART NO.	DESCRIPTION	QTY.
-----			
1	227 600	ANLAUFSCHLEIBE 20,2/35/3 THRUST WASHER 20,2/35/3.....	2
2	232 700	INNENRING / INNER RACE.....	1
3	232 650	NADELKAEFIG K 25X29X10 NEEDLE BEARING 25X29X10.....	2
4	292 139	PRIMAERTRIEB KPL. / PRIMARY DRIVE ASSY.,, NUR ANTRIEBSRAD MIT KUPPLUNGSKORB KPL. GEMEINSAM AUSTAUSCHEN REPLACE ONLY DRIVE GEAR WITH CLUTCH DRUM ASSY.	1
5	259 570	STUETZTELLER / INNER PLATE.....	1
6	259 053	BELAGLAMELLE 3,0 MM FRICTION PLATE 3,0 MM.....	8
7	259 557	INNENLAMELLE / CLUTCH PLATE 1 MM.....	7
8	259 555	STUETZLAMELLE / CLUTCH PLATE 1,5 MM.....	1
9	259 775	MITNEHMER / CLUTCH HUB.....	1
10	245 320	SICHERUNGSBLECH NA20 / TAB WASHER NA20...	1
11	242 605	SK-MUTTER M18X1,5 / HEX. NUT M18X1,5..... ANZUGSDREHMOMENT 80 NM TIGHTENING TORQUE 80 NM	1
12	239 740	KUPPL.FEDER DM15,7 D2,4 L39 CLUTCH SPRING 39 MM..... FEDERN NUR SATZWEISE WECHSELN CHANGE SPRINGS ONLY SETWISE	6
13 - 14	259 597	DRUCKPLATTE KPL. / RETAINING PLATE ASSY.,	1
13	259 594	DRUCKPLATTE / RETAINING PLATE.....	1
14	232 180	DRUCKLAGER 8X20X8,5 THRUST BEARING 8X20X8,5.....	1
15	945 750	FEDERRING AS DIN 128 / LOCK WASHER A5.....	6
16	241 770	SK-SCHRAUBE M5X25 DIN 933 HEX.SCREW M5X25.....	6
17	235 207	ZWISCHENRAD KPL. / IDLER GEAR ASSY. 31 T.	1
18	237 503	STARTERWELLE / KICK START SHAFT.....	1

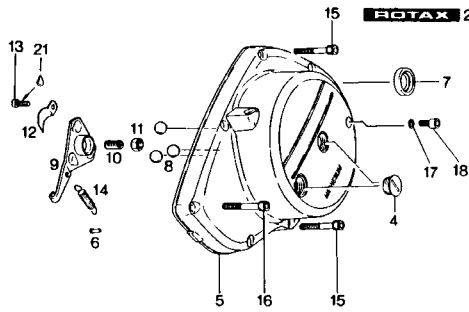


ILL. NO.	PART NO.	DESCRIPTION	QTY.
19	944 468	ANLAUFSCHEIBE 20,5/30/1 THRUST WASHER 20,5/30/1.....	3
20	945 660	SICHERUNGSRING 20X1,2 DIN 471 SNAP RING 20X1,2.....	1
21	239 761	KICKSTARTERFEDER / KICK START SPRING.....	1
22	228 185	SPERRAD / RATCHET GEAR.....	1
23	227 480	ANLAUFSCHEIBE 20,2/25,5/1 THRUST WASHER 20,2/25,5/1.....	1
24	235 215	STARTERRAD KPL. STARTER GEAR ASSY. 34 T.....	1
25	247 350	DISTANZHUELSE 20,2/28/6 SPACER 20,2/28/6.....	1
26	247 450	DISTANZRING 20,2/32/3,5 DISTANCE RING 20,2/32/3,5.....	1
27 - 33	248 895	KICKSTARTERHEBEL KPL. KICK START LEVER ASSY.,.....	1
27	248 890	KICKSTARTERHEBEL / KICK START LEVER.....	1
28 - 30	248 809	KICKSTARTERNABE KPL. / HUB ASSY.....	1
29	230 461	O-RING 8,9-1,9 NBR 70-80 SH O-RING 8,9-1,9.....	1
30	945 845	SICHERUNGSRING 15X1,5 DIN 471 CIRCLIP 15X1,5.....	1
31	239 535	DRUCKFEDER DM 4,2 D1 L13 COMPRESSION SPRING 13 MM.....	1
32	232 440	KUGEL 7/32 III DIN 5401 / BALL 7/32.....	1
33	260 210	MUFFE / RUBBER SLEEVE.....	1
34	240 021	SCHAFTSCHRAUBE M8X30 / CYL.SCREW M8X30...	1
35		LOCTITE ANTI-SEIZE 76710 LOCTITE ANTI-SEIZE 10 GR.,..... ZUR VERHINDERUNG VON PASSUNGSROST, 10 GR., TO PREVENT METAL GALLING	NA
36		SCHRAUBENSICHERUNG NIEDRIGFEST LOCTITE 221 VIOLET 10 CC.,..... LOCTITE 221 VIOLETT, 10 CCM LOW STRENGTH BOND	NA

**ROTAX 20**

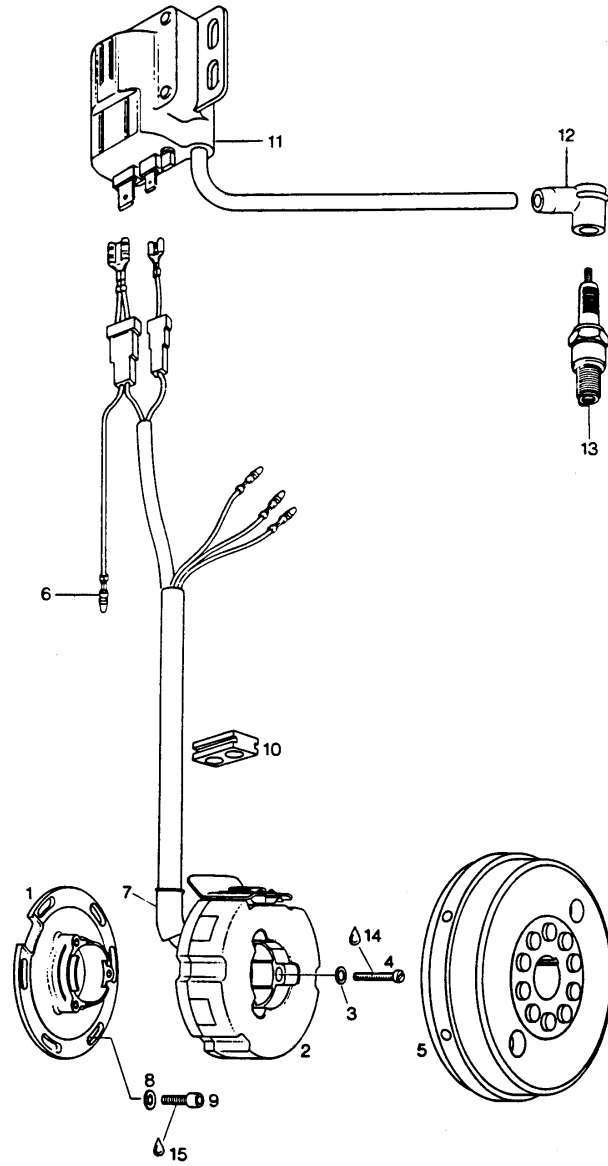


**ROTAX 20**



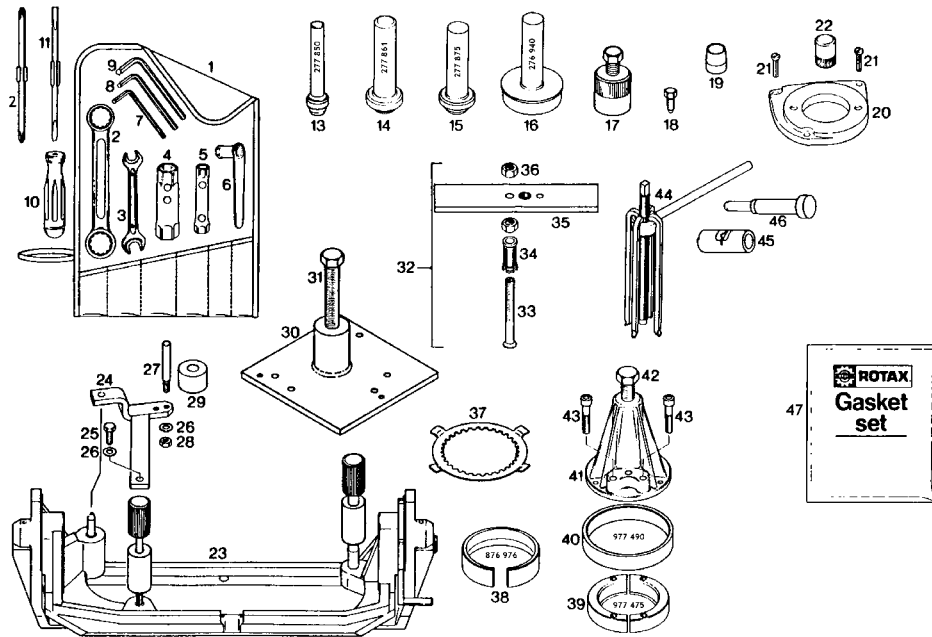
MAGNETO COVER, CLUTCH COVER  
-----

ILL. NO.	PART NO.	DESCRIPTION	QTY.
-----			
1	212 151	ZUENDERDECKEL / MAGNETO COVER.....	1
2	241 761	ZYL.SCHRAUBE M6X50 DIN 912 ALLEN SCREW M6X50.....	2
3	241 821	ZYL.SCHRAUBE M6X45 DIN 912 ALLEN SCREW M6X45.....	1
4	241 800	VERSCHLUSSSCHRAUBE M18X1,5 PLUG SCREW M18X1,5.....	3
5 - 6	212 865	KUPPLUNGSDECKEL KPL. CLUTCH COVER ASSY.,.....	1
6	949 030	HR-KERBNAGEL 3X8 DIN 1476 / DRIVE PIN 3X8	1
7	230 355	WD-RING BS 20X28X6 / OIL SEAL 20X28X6....	1
8	232 150	KUGEL 12 III DIN 5401 / BALL 12 MM.....	3
9	259 945	AUSRUECKTELLER KPL. / RELEASE CAM ASSY.,.	1
10	240 315	GEWINDESTIFT M8X22 ADJUSTMENT SCREW M8X22.....	1
11	942 670	SK-MUTTER M8 SW 11 / HEX. NUT M8.....	1
12	239 901	BLATTFEDER / FLAT SPRING.....	1
13	240 560	ZYL.SCHRAUBE M5X12 DIN 84 CYL. SCREW M5X12.....	1
14	239 635	ZUGFEDER / SPRING.....	1
15	241 811	ZYL.SCHRAUBE M6X35 DIN 912 ALLEN SCREW M6X35.....	6
16	241 816	ZYL.SCHRAUBE M6X40 DIN 912 ALLEN SCREW M6X40.....	2
17	830 890	DICHTRING 6,2/8,9/1 GASKET RING 6,2/8,9/1.....	1
18	840 371	ZYL.SCHRAUBE M6X11,5 ALLEN HEAD SCREW M6X11,5..... FUER OELNEVEAU FOR OIL LEVEL	1
19	297 442	KUPPLUNGSSEILZUG KPL. CLUTCH CABLE ASSY.,.....	1
20	297 495	ROTAX-DECKELSCHILD MS / ROTAX LABEL.....	2
21		SCHRAUBENSICHERUNG NIEDRIGFEST LOCTITE 221 VIOLET 10 CC..... LOCTITE 221 VIOLETT, 10 CCM LOW STRENGTH BOND	NA



MOTOPLAT MAGNETO-GENERATOR 6V 40/21/10W  
-----

ILL. NO.	PART NO.	D E S C R I P T I O N	QTY.
1 - 6	292 718	MZ-GENERATOR 6V 40/21/10W MAGNETO GENERATOR 6V 40/21/10W.....	1
1	264 885	ANKERPLATTE / STATOR PLATE.....	1
2	264 880	ANKERSATZ / STATOR.....	1
3	245 510	FEDERSCHEIBE A4 DIN 137 SPRING WASHER A4.....	3
4	240 041	ZYL.SCHRAUBE M4X26 DIN 84 ALLEN SCREW M4X26.....	3
5	264 898	SCHWUNGRAD / FLYWHEEL, EXTRA LIGHT..... EXTRA LEICHT	1
6	964 062	STECKERSTIFT 3,96 / FASTON CONNECTOR 3,96	1
7	224 030	KABELFIXIERUNG / CABLE HOLDER.....	1
8	945 990	FEDERSCHEIBE B5 DIN 137 SPRING WASHER B5.....	2
9	241 841	ZYL.SCHRAUBE M5X12 DIN 6912 ALLEN SCREW M5X12.....	2
10	260 347	LEITUNGSTUELLE / CABLE GROMMET.....	1
11 - 12	264 835	ZUENDSPULE KPL. / IGNITION COIL ASSY.,...	1
12	865 200	ZUENDLEITUNGSSTECKER SPARK PLUG PROTECTOR.....	1
13	899 920	ZUENDKERZE 14 W3CC (W275T2) SPARK PLUG 14 W3CC (W275T2).....	1
14		SCHRAUBENSICHERUNG NIEDRIGFEST LOCTITE 221 VIOLET 10 CC.,..... LOCTITE 221 VIOLETT, 10 CCM LOW STRENGTH BOND	NA
15		LOCTITE 648 GRUEN LOCTITE 648 GREEN 6 CC.,..... SCHRAUBENSICHERUNG HOCHFEST, 6 CCM HIGH STRENGTH BOND	NA



## REPAIR TOOLS, GASKET SET

ILL. NO.	PART NO.	DESCRIPTION	QTY.
1 - 12	277 784	WERKZEUGSATZ / TOOL KIT.....	1
1	876 195	WERKZEUGTASCHE / TOOL BAG.....	1
2	277 825	RINGSCHLUESSEL 22X24 RING WRENCH 22X24 MM.....	1
3	276 065	DOPPELMAULSCHLUESSEL 10X13 FORK WRENCH 10X13 MM.....	1
4	277 411	STECKSCHLUESSEL 17X21 SOCKET WRENCH 17X21 MM.....	1
5	876 220	STECKSCHLUESSEL 11X13 SOCKET WRENCH 11X13 MM.....	1
6	276 040	KONTERSCHLUESSEL / WRENCH 11MM..... FUER KUPPLUNGSEINSTELLUNG FOR CLUTCH ADJUSTMENT	1
7	277 790	SECHSKANTSTIFTSCHLUESSEL 4 ALLEN HEAD KEY 4.....	1
8	876 360	SK-STIFTSCHLUESSEL 5 / ALLEN HEAD KEY 5..	1
9	277 810	SECHSKANTSTIFTSCHLUESSEL 6 ALLEN HEAD KEY 6.....	1
10	277 840	SCHRAUBENZIEHERGRIF / SCREW DRIVER GRIP.	1
11	277 830	SCHRAUBENZIEHEREINSATZ SCREWDRIVER BLADE-FLAT.....	1
12	277 835	KREUZSCHLITZKLINGE SCREW DRIVER BLADE-PHILLIPS.....	1
13	277 850	MONTAGESTEMPEL KPL. INSERTION JIG ASSY..... FUER WD-RING 230 355, STARTERWELLE FOR OIL SEAL 230 355, KICK-START SHAFT	1
14	277 861	MONTAGESTEMPEL KPL. INSERTION JIG ASSY..... FUER WD-RING 230 395, HAUPTWELLE FOR OIL SEAL 230 395, MAIN SHAFT	1
15	277 875	MONTAGESTEMPEL KPL. INSERTION JIG ASSY..... FUER WD-RING 230 425, KURBELWELLE FOR OIL SEAL 230 425, CRANKSHAFT	1
16	276 940	MONTAGESTEMPEL KPL. / INSERTION JIG ASSY. FUER GEHAEUSERING FOR CRANKCASE RING	1

ILL. NO.	PART NO.	DESCRIPTION	QTY.
17	276 705	ABZIEHER KPL. M35X1,5 PULLER ASSY. M35X1,5..... FUER POLRAD FOR FLYWHEEL	1
18	241 965	FIXIERSCHRAUBE M8X30 FIXATION SCREW M8X30..... FUER KURBELWELLE FOR CRANKSHAFT	1
19	277 970	FUEHRUNGSHUELSE / GUIDE SLEEVE..... FUER HAUPTWELLE FOR MAIN SHAFT	1
20	276 915	ABZIEHPLATTE / PLATE FOR PULLER..... FUER GEHAEUSEHAELFTE FOR CRANKCASE HALF	1
21	940 451	ZYL.SCHRAUBE M6X25 DIN 84 SLOTTED HEAD SCREW M6X25.....	3
22	276 920	SCHUTZKAPPE / PROTECTION CAP..... FUER KURBELWELLE FOR CRANKSHAFT	1
23	277 917	MONTAGEBOCK KPL. / TRESTLE ASSY.,.....	1
24 - 29	277 105	MONTAGEBOCK-AUFNAHMESATZ INSERT KIT FOR TRESTLE ASSY.,..... FUER MOTORTYPE 124, 127, 244, 280 UND 406 FOR ENGINE TYPE 124, 127, 244, 280 AND 406	1
24	277 100	ADAPTER KPL. / ADAPTOR ASSY.,.....	1
25	940 590	SK-SCHRAUBE M8X20 DIN 933 HEX.SCREW M8X20.....	1
26	250 311	SCHEIBE 8,4 DIN 125 / WASHER 8,4.....	2
27	277 110	AUFNAHMEBOLZEN / BOLT.....	1
28	242 201	SK-MUTTER M8 DIN 934 / HEX. NUT M8.....	1
29	847 160	DISTANZHUELSE 10,5/24/15 SPACER 10,5/24/15..... FUER MOTORTYPE 127 FOR ENGINE TYPE 127	1
30 - 31	277 160	ABDRUECKPLATTE KPL. / PULLER PLATE ASSY., FUER KURBELWELLE FOR CRANKSHAFT	1
31	940 755	SK-SCHRAUBE M16X1,5X150 DIN961 HEX. SCREW M16X1,5X150.....	1
32 - 36	276 360	LAGERAUSZIEHER KPL. / PULLER ASSY.,..... FUER RK-LAGER FOR BALL BEARING	1



ILL. NO.	PART NO.	DESCRIPTION	QTY.
33	276 380	AUSZIEHBOLZEN / BOLT M10.....	1
34	276 370	SPREIZHUELSE / EXTRACTOR SLEEVE..... FUER RK-LAGER 6203 - 17-40-12, VORGELEGEWELLE FOR BALL BEARING 6203 - 17-40-12, CLUTCH SHAFT	1
35	276 390	ABSTUETZLEISTE / SUPPORT PLATE.....	1
36	242 090	SK-MUTTER M10 DIN 934 / HEX. NUT M10.....	2
37	277 885	MITNEHMERFIXIERUNG CLUTCH HUB LOCKING TOOL.....	1
38	876 976	MONTAGERING / PISTON RING SPANNER 84 MM.. FUER KOLBEN 84 MM TO MOUNT PISTON IN CYLINDER	1
39	977 475	RINGHAELFTE / RING HALF..... FUER RK-LAGER 6306, 30-72-19, KURBELWELLE FOR BALL BEARING 6306, 30-72-19, CRANKSHAFT	2
40	977 490	RING / RING..... FUER RINGHAELFTE FOR RING HALF	1
41 - 42	876 296	ABZIEHER KPL. / PULLER ASSY.,..... FUER RK-LAGER FOR BALL BEARING	1
42	940 755	SK-SCHRAUBE M16X1,5X150 DIN961 HEX. SCREW M16X1,5X150.....	1
43	840 680	ZYL.SCHRAUBE M8X40 DIN 912 ALLEN SCREW M8X40..... FUER ABZIEHER FOR PULLER	2
44	277 180	KUGELLAGERABZIEHER-GARNITUR BALL BEARING PULLER SET..... FUER RK-LAGER 6006,6203,6300,6007,6204,6301,6302, 6204E,6205,6303 UND 6304 FOR BALL BEARING 6006,6203,6300,6007,6204,6301, 6302,6204E,6205,6303 AND 6304	1
45 - 46	877 015	MONTAGEDORN KPL. CIRCLIP INSTALLATION TOOL ASSY..... ZUM INSTALLIEREN DER KOLBENBOLZENSICHERUNG 18 MM FOR PISTON PIN CIRCLIP 18 MM	1
45	877 020	MONTAGEHUELSE CIRCLIP INSTALLATION SLEEVE 18MM..... FUER KOLBENBOLZENSICHERUNG 18 MM	1
46	877 010	MONTAGEDORN CIRCLIP INSTALLATION PUSHER 18MM..... FUER KOLBENBOLZENSICHERUNG 18 MM	1