



BT49QT-9 – User Manual, Service Schedule & History

<https://www.motorcycle-manual.com/>

Introduction

Welcome to your new **BAOTIAN BT49QT-9**, which has been developed by **BAOTIAN MOTORCYCLE INDUSTRIAL CO. LTD.** We hope you enjoy your new Baotian **BT49QT-9**.

This owner's handbook contains information necessary:

- to enable you to get to know your Baotian **BT49QT-9**, to use it to the best advantage and to benefit from all the latest developments which it incorporates.
- to ensure that it always give the best performance by following the simple, but strict, advice concerning regular maintenance.
- to enable you to deal quickly with minor faults not requiring specialist attention.

It is well worth taking a few minutes to read this handbook to familiarise yourself with the information and guidelines it contains about the **BT49QT-9** and its features. If certain points are still unclear, the technicians at your local Baotian dealer will be only too pleased to provide you with any additional information you require.

IMPORTANT

Please make sure that an initial inspection is conducted after the first 300 km and thereafter in accordance with service schedule.

This motorcycle has been designed and manufactured in full compliance with EU Safety Standards.

The maximum speed is 45km/h. Do not change any parts without professional advice.

CONTENTS

Guidance.....	1
Names of parts.....	4
Controlling parts.....	5
Starting lever.....	6
Fuel tank	6
Fuel and oil	6
Pre-riding inspection	7
Engine starting.....	8
Running-in.....	9
Regular maintenance.....	10
Technical Parameters	15
Electrical Circuit Chart	17

Guidance

Please keep safety in mind and observe the regulations of transportation while enjoying your ride. Pay attention to the following rules:

1. Pre-riding inspection

Please read the details in the relevant chapter for your safety.

2. Helmet

Do wear a helmet at all times while riding the motorcycle.

3. Being familiar with motorcycle operation

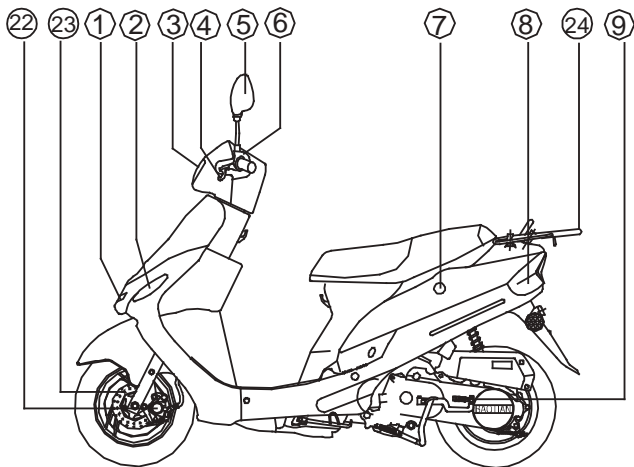
It is of great importance to ensure your safety at all times, especially whilst becoming familiar with your motorcycle .

4. Speed limitation

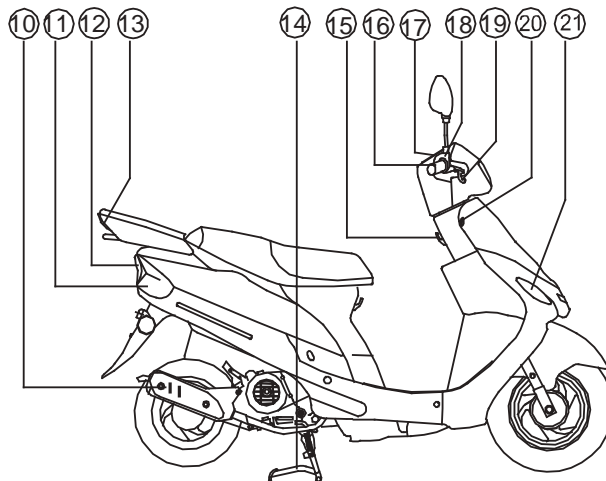
Drive at appropriate speed for the road conditions, the weather and your driving skill.

IMPORTANT

**It is dangerous to drive on wet roads.
Do not make any abrupt turning while
accelerating and keep a safe distance from
other vehicles on the road.**



(Disk brake/2 seat)



drum brake/1 seat)

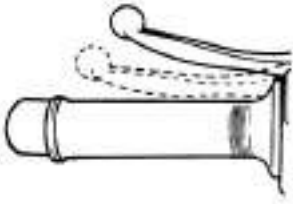
- (1) Front signal light
- (2) Left front turning light
- (3) Head light
- (4) Rear brake lever
- (5) Rear-view mirrors
- (6) Left switches
- (19) Front brake lever
- (22) Brake assy.

- (7) Seat lock
- (8) Left rear turning light
- (9) Starting pedal
- (10) Silencer
- (11) Right rear turning light
- (12) Rear light
- (20) Ignition switch
- (23) Brake disk.

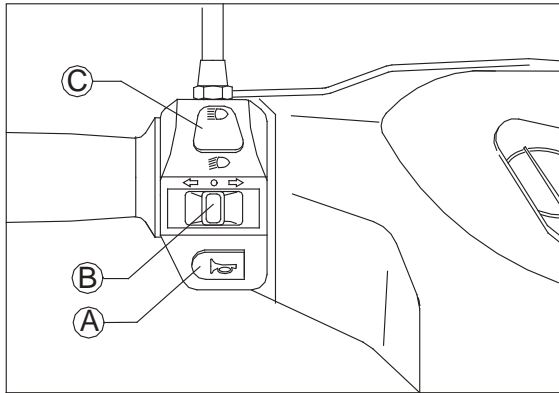
- (13) Rear signal light)
- (14) Stand
- (15) Helmet hook
- (16) Throttle control
- (17) Instruments
- (18) Light switches
- (21) Right front turning light
- (24) Hand-hold

1. Rear brake lever

Hold it tight and the rear brake functions



2. Switches on the left handle



A. Horn button

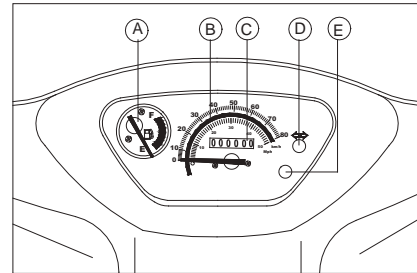
B. Turning signal switch

⇐ Left turning light

⇒ Right turning light

C. Switch for high/low beam lights

3 Instruments and indicating lights



A. Fuel gauge.

B. Speedometer indicates the speed in KM/H.

C. Odometer indicates the total distance the motorcycle has run.

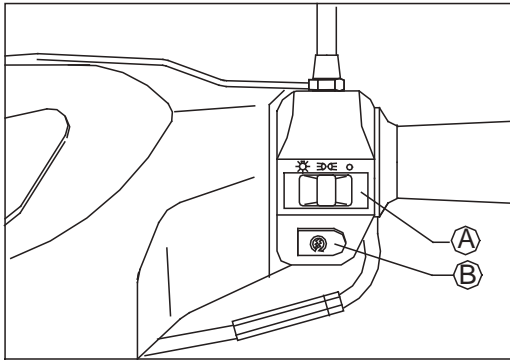
D. Turning lights indicator.

E. High beam indicator.

4. Front brake lever

Press it tightly and the front brake functions.

5. Switches on the right handle

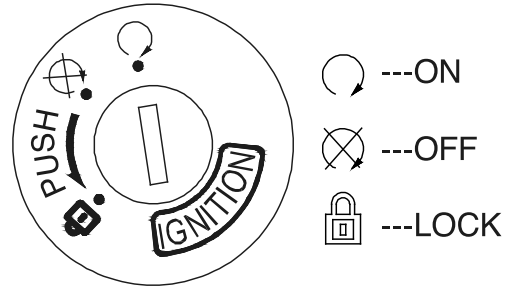


A. Head light switch

B. Ignition button

When the ignition switch is at ON position, hold the brake and push the button, and then the engine starts.

6. Ignition switch



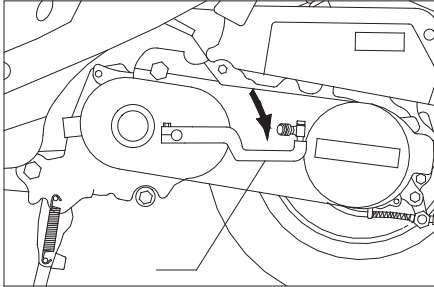
OFF The whole circuit is cut. Engine and lights cannot be operated and the key can be withdrawn.

ON Engine can be started and all the lights can be operated. The key cannot be withdrawn.

LOCK Turn the steering handle fully to the left, slightly press the key and turn it to the position lock. Then the key can be taken out.

Starting lever

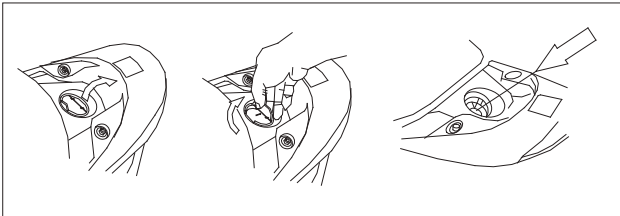
Starting lever is for kick starting the engine.



Fuel tank

Usage of the cap:

1. Insert the key.
2. Turn it clockwise and take off the cap.
3. Fix the notch and then press the cap on.



Warning:

- ◆ Turn off the engine when refilling the tank.
- ◆ Turn off the cap slowly.
- ◆ Align the mark “△” on the cap to the , mark“ ” on the fuel tank.
- ◆ Don't overfill the fuel over the designated scale
- ◆ Do not add anything into the petrol.

Fuel and engine oil

A. Petrol

Ensure unleaded petrol is used at all times.

B. Engine oil

SAE-15w/40

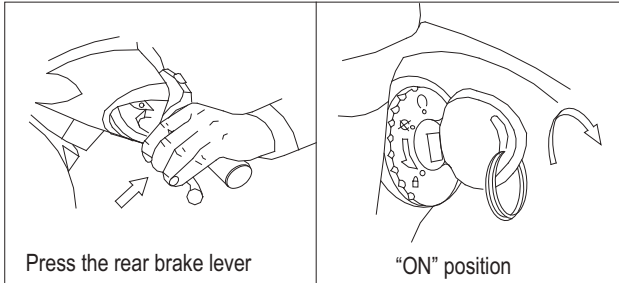
Pre-riding inspection

Please check the following parts before you drive.

No.	Items	Inspection content
1	Handle bar	1.Easy movement. 2. No loose appearance
2	Brake system	1.Check for fraying of cables. 2. Easy function
3	Tyres	1. Correct pressure. 2. No splits in rubber
4	Fuel	Sufficient fuel
5	Engine oil	Sufficient engine oil
6	Lights	Workable
7	Horn	Workable
8	Gear oil	Sufficient oil
9	Throttle	1. Proper gap 2. Flexible function 3. Smooth throttle control function.
10	All the bolts and nuts	Not loose.

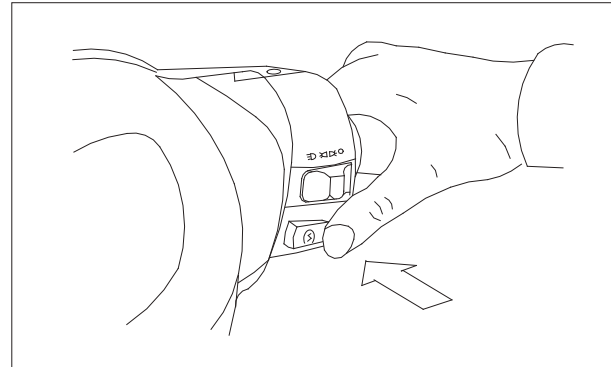
□ Engine starting

1. Please check the volume of engine oil and fuel before starting. The main stand should be stood up while starting the engine.
2. Turn the ignition switch to the "ON" position.



3. Engine Starting

Push the starter button and then the engine starts.



Warning:

- ◆ Grip the rear brake lever to prevent forward motion whilst starting

Warning:

- ◆ 5 seconds is the maximum limit for each starting and 10 seconds is the minimum interval.
- ◆ Stop pressing the starting button immediately after the engine starts.
- ◆ Do not press the starting button while the engine is running, or the starter motor will be damaged.
- ◆ The electric start will not operate without the brake lever applied firmly.
- ◆ When using electric starting, don't operate the starting motor continually, or it may cause damage to the starter motor and the battery.
- ◆ Warm up the engine after cold starting (about 3 minutes).

4. Kick Starting

Grip the brake lever, kick the kick start pedal downwards 2 or 3 times in rapid succession.

Warning:

- ◆ After the engine has started, the kick start pedal should be taken back to its original position. Otherwise, it will affect the driver's safety.
- ◆ Don't start the engine in enclosed spaces, as this can create Carbon Monoxide which can cause loss of life.

Running in

To maintain your motorcycle running in a good condition, please follow the below rules during the new running-in period.

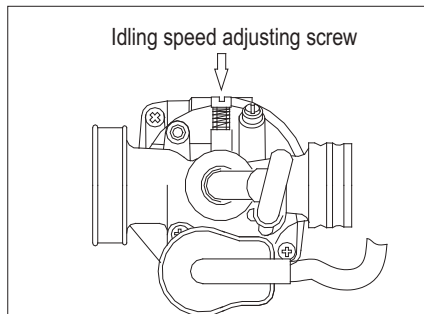
Distance (km)	Speed limitation (km/h)- (mph)
0-200	25
200-1000	35
1000— ---	≤45

1. Battery

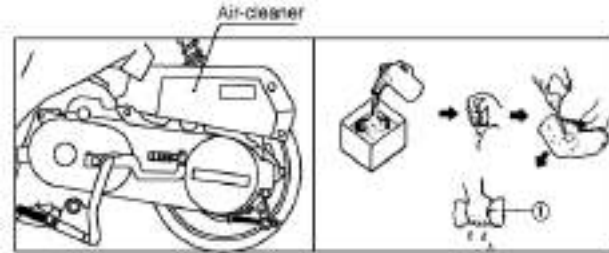
- 12V/4Ah battery
- When the voltage is less than 11.5V, please use kicking start in stead of electric starting.
- Place the ignition switch to **OFF** position before battery replacement.
- Electrode identification: “+”-red line, “-“-black line.
- Replace the battery every 4 years.

2. Carburetor and idle speed adjustment

- Keep the engine warmed up for 2-3 minutes.
- Adjust the idling speed screw to set the engine at speed if about 1800rpm.



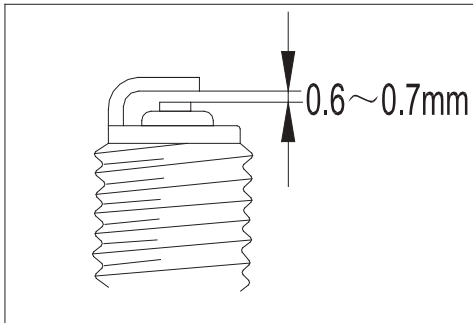
3. Air cleaner



- Pour a non-inflammable detergent into a basin and immerse the core of air cleaner into the detergent for cleaning.
- Press the core to squeeze the detergent out of it by the palms. Never twist it in case that it is broken.
- Immerse the core into engine oil.
- Squeeze excessive oil out, but keep it lightly oil immersed.

4. Spark plug

- Clean the carbon deposit on the spark plug with a piece of hard wire or steel needle.
- Adjust the gap to 0.6-0.7mm with a feeler gauge.
- Use (NGK) C7HSA when replacement is needed.

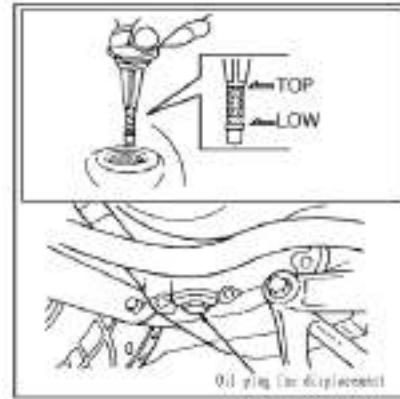


5. Fuel

Always refill with unleaded petrol.
Try to refill before the needle reaches the red zone of the gauge.

6. Engine oil

Replace the engine oil with engine warmed up.

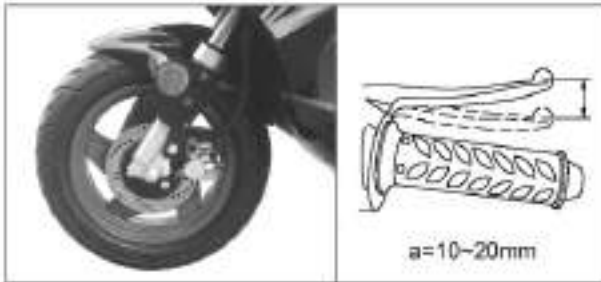


1. Remove the oil dipstick.
2. Remove the drain plug to drain the used oil.
3. Reinstall the drain plug ensuring that it is tight.
4. Refill 0.8 L recommended fresh oil.
5. Fasten all the nuts and screws.

7. Brake system

Normal free travel of the brake lever is about 10-20mm.

1. The front brake (disk brake)



2. The rear brake (drum brake)

Turn the adjusting nut to get a proper travel.



Warning:

IMPORTANT

Please make sure that an initial inspection is conducted after the first 300 km and thereafter every 1000km for regular servicing.

Disc brake

Grip the brake lever and check the wear and tear indicator. If the indicator nearly touched the brake disc, please ask your Baotian Dealer to change the brake pads.

- Check the following items of brake system before driving the motorcycle:
- Check if there are any leakages.
- Check if there are any leakages or cracks on the hydraulic hose.
- The brake lever should be kept with a certain free travel of 10_20mm.
- Wear of the brake pads..

Brake fluid level

- It has been filled with the special brake fluid before the motorcycle leaves the factory. Fluid should only ever be replaced or filled with DOT4 brake fluid. Never replace or mix other fluids, otherwise it will damage the brake system.
- If the brake fluid level is insufficient, it might be possible for air to enter into the brake system and result in brake failure

Warning:

- ◆ Brake fluid is a corrosive material. It causes damage to all painted material.
- ◆ If fluid is sprayed on the skin or eyes, it should be washed immediately with clean cold water and medical advice sought.

8. Tyres

Insufficient tyre pressure increases wear to them and affects the riding stability. Please check the tyre pressure and tread depth when carrying out regular maintenance.

- Tyre pressure: front 250 KPa, rear 250 KPa.
- Tread depth: It is suggested to replace a tyre when the tread depth is less than 1.6mm.

Warning:

- ◆ The standard tyre is 120/70-12 56J for front and 130/70-12 58J for rear tyres. Another type of tyre may cause instability
- ◆ Tyre inflation pressures and the general tyre condition are extremely important to the performance and safety of the motorcycle.

9. Starter motor

Check the fastening bolts and the contact brushes, and replace them if necessary.

10. Fuse

An inline fuse is located in the live wire from the battery. When a light or circuit fails suddenly, please check the fuse first.

11. Gear oil

- Please use the recommended gear oil:
SAE 5W/90
- Total capacity: 110ml
- Replacing capacity: 100ml

How to change gear oil

- Stand up the main stand.
- Take off the oil plug for refill.
- Take out the oil drain plug, let out all the dirty gear oil.
- Tighten the oil drain plug.
- Refill with fresh gear oil and tighten the oil refill plug.

After supplement, please make sure you have locked the oil screw.

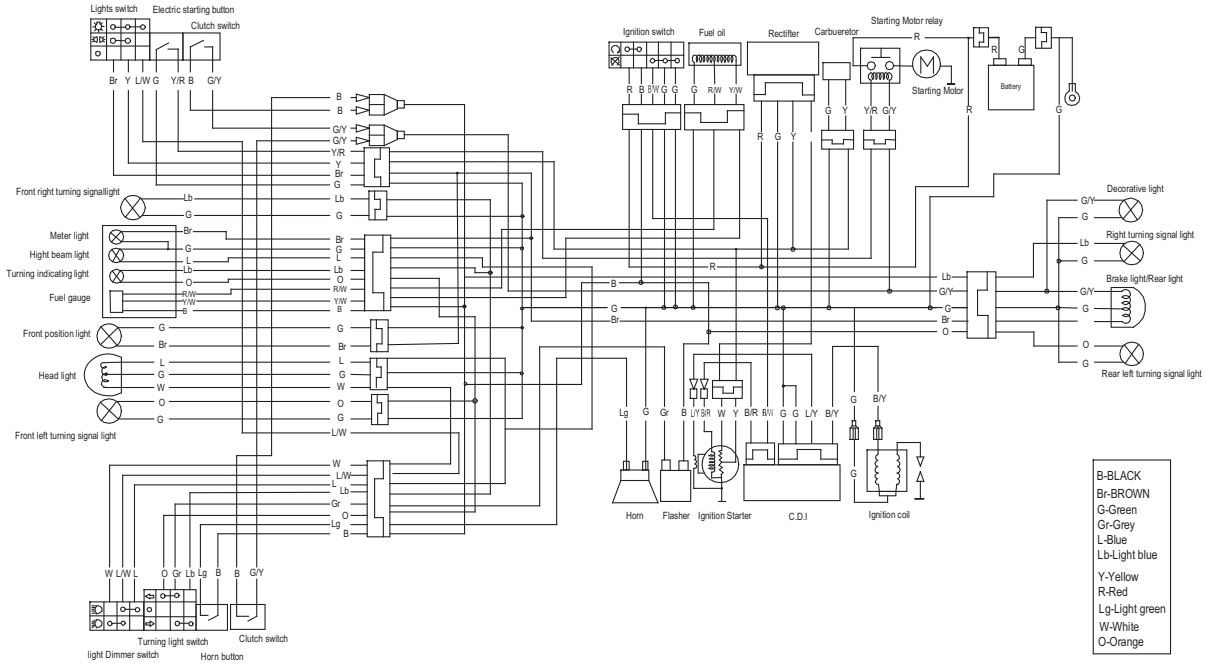
Technical Parameters

Size	Length Width Height Wheel base Min. distance above ground	1660mm 680mm 1070mm 1195mm 80mm
Weight	Unloaded weight Loaded weight Mass weight	85kg 75kg / 150kg (1 seat / 2 seats) 165kg / 235kg (1 seat / 2 seats)
Capacity	Max. Speed Min Speed Slope Turning Circle Dia. of turning circle	45km/h (e-mark) or 60 km/h $\leq 1.8\text{km/h}$ $\geq 6^\circ$ $\geq 45^\circ$ $\leq 3200\text{mm}$
Circuit system	Spark plug Battery Fuse Headlight Turning lights Brake light Indicating lights	(NGK) C7HSA 12V / 4AH 10A 12V 35W 12V 10W 12V 21W / 8W 12V 5W

Regular maintenance

Volume of the fuel tank		6.5L
Volume of the engine oil tank		1L
Engine	Model Type Cylinder Bore and stroke Cylinder volume Compression ratio Max. power Max. torque Carburetor Air cleaner Ignition type Starting mode Cooling mode Lubrication	BT139QMB 4 stroke 1 39 x 41.5mm 49.5ml 10.5:1 2.2 kW / 7500 (r/min) 2.9 NM / 7000 (r/min) PZ18J Polyurethane plastic core CDI Electric / kick start Forced air-cooled Pressure / splash
Frame		Steel tube frame
Suspension	Front absorber Rear cushion	Rock-arm variable-pitch spring & hydraulic damping shock absorber Single damping shock absorber Variable-pitch spring & hydraulic damping shock absorber
Brake system		Expansion braking shoe
Tyres		3.00-10 42J

Electrical Circuit Chart



Baotian Warranty

In the event of a sudden mechanical or electrical failure please contact your supplying dealer.

Your 24-month warranty covers your scooter/motorcycle in the event of mechanical breakdown or component failure. The first 12 months of cover extends to the entire scooter with the exceptions detailed below. For the second year, warranty is limited to the covered engine and transmission components only.

This cover is extended to the registered owner. In the event of change of ownership, please send written advice within 14 days of change to Baotian UK, Casino Industrial Estate, Canterbury Road, Wingham, Kent CT3 1NL. Please enclose copies of service history to verify validity of warranty.

All parts are covered subject to the following exclusions:

GENERAL

All body panels including covers, cowlings, fairings, windshield, paintwork, trims and seat. Routine replacement of parts such as lubricants, tyres and control cables.

Electrical fuses, lights, lenses and bulbs, indicator assemblies, drive unit [variators], drive belts and chains, sprockets, rubber gaiters, suspension, wheels, fuels hoses and tank cap.

Frame and stands, accident damage, corrosion. Steering locks, brake friction material, brake levers.

ENGINE

Engine tuning and adjustments or any other parts, which deteriorate during normal usage.

Lubricants, coolant additives, filters and breathers, spark plugs and caps, brackets and mountings, hoses and hose clips.

CLUTCH

Frictional material where the condition is related to wear and tear.

CONDITIONS & EXCLUSIONS

The scooter/motorcycle must be serviced in accordance with the manufacturer's schedule. Services may only be carried out to a maximum of 150km before or after the due distance. VAT receipts must be retained.

The rights as set out in this document are in addition to your legal rights and subject to English law.

EXCLUSIONS:

1. No liability will be accepted:

- a. For faults reported after 14 days of being discovered.
- b. For machines used in competition or time trials.
- c. For machines used for hire or rewards, including taxi, riding schools, couriers etc.
- d. For machines where non-standard parts have been fitted and customisation made.

2. No liability will be accepted for damage caused by:

- a. Neglect.
- b. Corrosion.
- c. Intrusion of foreign matter.
- d. Lack of servicing.
- e. The effects of overheating.
- f. Freezing.
- g. Consequential damage, how so ever caused.
- h. The use of incorrect grade fuel, incorrect lubricant or incorrect anti-freeze.
- i. Neglect, abuse or wilful damage including continuing to ride the machine when it is not mechanically sound.
- j. Subjecting the machine to loads greater than manufacturer's recommendation.
- k. Fire, explosion, flood water damage, theft or attempted theft and any such extreme cause.

3. No liability will be accepted for:

- a. The affects of poor repair.
- b. Parts that have been fitted incorrectly.
- c. Parts not fitted as standard by the manufacturer.
- d. Investigatory or remedial work commenced prior to the replacement of defective covered parts.
- e. Routine servicing or repair.
- f. Any parts that have been previously reported during routine service as to be requiring replacement.
- g. Death, bodily injury or loss of use or any consequential loss of whatever nature.

4. No liability is accepted for any damage caused by a road traffic accident or collision or any road hazard whether or not insured under any motor insurance or accidental damage policy caused by mechanical or electrical failure.

INITIAL INSPECTION
Mileage:
Date:
Dealer stamp:

SERVICE 2
Mileage:
Date:
Dealer stamp:

SERVICE 1
Mileage:
Date:
Dealer stamp:

SERVICE 3
Mileage:
Date:
Dealer stamp:

SERVICE 4
Mileage:
Date:
Dealer stamp:

SERVICE 6
Mileage:
Date:
Dealer stamp:

SERVICE 5
Mileage:
Date:
Dealer stamp:

SERVICE 7
Mileage:
Date:
Dealer stamp:

SERVICE 8
Mileage:
Date:
Dealer stamp:

SERVICE 10
Mileage:
Date:
Dealer stamp:

SERVICE 9
Mileage:
Date:
Dealer stamp:

SERVICE 11
Mileage:
Date:
Dealer stamp:

SERVICE 12
Mileage:
Date:
Dealer stamp:

SERVICE 14
Mileage:
Date:
Dealer stamp:

SERVICE 13
Mileage:
Date:
Dealer stamp:

SERVICE 15
Mileage:
Date:
Dealer stamp:

Maintenance Schedule

	PDI	300 KM	1,000 KM	3,000 KM	6,000 KM	9,000 KM	12,000 KM	Every 2 Years
Engine Oil		Replace	Replace	Replace	Replace	Replace	Replace	
Gear Oil		Replace			Replace		Replace	
Oil Strainer		Clean	Clean	Clean	Replace	Clean	Replace	
Air Filter			Clean	Clean	Replace	Clean	Replace	
Battery	Charge	Inspect	Inspect	Inspect	Inspect	Inspect	Inspect	
Spark Plug				Inspect	Replace	Inspect	Replace	
Fuel Filter			Inspect	Inspect	Replace	Inspect	Replace	
Carb	Adjust	Adjust	Adjust	Adjust	Clean	Adjust	Clean	
Odometer Cable	Lubricate		Lubricate	Lubricate	Lubricate	Lubricate	Lubricate	
Control Cables		Adjust	Adjust	Adjust	Adjust	Adjust	Adjust	
Tyre Pressure	Inspect	Inspect	Inspect	Inspect	Inspect	Inspect	Inspect	
Tyres / Wheels		Inspect	Inspect	Inspect	Inspect	Inspect	Inspect	
Brake Fluid								Replace
Brake System	Inspect	Inspect	Inspect	Inspect	Inspect	Inspect	Inspect	
Drive Belt				Inspect	Replace	Inspect	Replace	
Vaiator Rollers				Inspect	Replace	Inspect	Replace	
Clutch					Inspect		Inspect	
Headstock Bearings	Inspect	Inspect	Inspect		Inspect		Inspect	
All Bolts & Fixings	Inspect	Inspect	Inspect	Inspect	Inspect	Inspect	Inspect	
Lighting	Inspect	Inspect	Inspect	Inspect	Inspect	Inspect	Inspect	
Suspension		Inspect		Inspect	Inspect	Inspect	Inspect	