

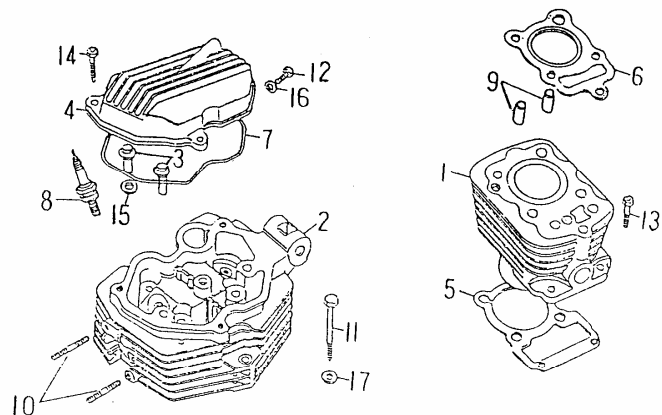
# BAROSSA MOTOR INDUSTRY CO., LTD.

## CONTENT

### SPARE PARTS LIST FOR AAM170E & ATG170E

<a href="#"><u>FIG 01</u></a>	<a href="#"><u>CYLINDER, CYLINDER HEAD</u></a>	<a href="#"><u>FIG 20-2</u></a>	<a href="#"><u>FRONT FENDER FOR ATG</u></a>
<a href="#"><u>FIG 02</u></a>	<a href="#"><u>CRANKSHAFT PISTON</u></a>	<a href="#"><u>FIG 21</u></a>	<a href="#"><u>SIDE COVER</u></a>
<a href="#"><u>FIG 03</u></a>	<a href="#"><u>OIL PUMP</u></a>	<a href="#"><u>FIG 22</u></a>	<a href="#"><u>SEAT</u></a>
<a href="#"><u>FIG 04</u></a>	<a href="#"><u>CARBURETOR</u></a>	<a href="#"><u>FIG 23</u></a>	<a href="#"><u>FRONT WHEEL</u></a>
<a href="#"><u>FIG 05</u></a>	<a href="#"><u>VALVE</u></a>	<a href="#"><u>FIG 24</u></a>	<a href="#"><u>REAR WHEEL</u></a>
<a href="#"><u>FIG 06</u></a>	<a href="#"><u>CRANKCASE</u></a>	<a href="#"><u>FIG 25</u></a>	<a href="#"><u>REAR BRAKE</u></a>
<a href="#"><u>FIG 07</u></a>	<a href="#"><u>LEFT CRANKCASE COVER</u></a>	<a href="#"><u>FIG 26</u></a>	<a href="#"><u>INTERGRATED</u></a>
<a href="#"><u>FIG 08</u></a>	<a href="#"><u>RIGHT CRANKCASE COVER</u></a>	<a href="#"><u>FIG 27</u></a>	<a href="#"><u>STEERING HANDLE CABLE</u></a>
<a href="#"><u>FIG 09</u></a>	<a href="#"><u>TRANSMISSION STARTER</u></a>	<a href="#"><u>FIG 28</u></a>	<a href="#"><u>HANDLE SWITCH</u></a>
<a href="#"><u>FIG 10</u></a>	<a href="#"><u>STARTING MOTOR</u></a>	<a href="#"><u>FIG 29</u></a>	<a href="#"><u>STAND FOOTREST</u></a>
<a href="#"><u>FIG 11</u></a>	<a href="#"><u>GEAR SHIFT</u></a>	<a href="#"><u>FIG 30</u></a>	<a href="#"><u>GUARD</u></a>
<a href="#"><u>FIG 12</u></a>	<a href="#"><u>CLUTCH</u></a>	<a href="#"><u>FIG 31</u></a>	<a href="#"><u>HEAD LIGHT</u></a>
<a href="#"><u>FIG 13</u></a>	<a href="#"><u>EXHAUST MUFFLER</u></a>	<a href="#"><u>FIG 32</u></a>	<a href="#"><u>TAIL LIGHT</u></a>
<a href="#"><u>FIG 14</u></a>	<a href="#"><u>REAR ARM</u></a>	<a href="#"><u>FIG 33</u></a>	<a href="#"><u>WIRE HARNESS</u></a>
<a href="#"><u>FIG 15</u></a>	<a href="#"><u>REAR SUSPENSION</u></a>	<a href="#"><u>FIG 34</u></a>	<a href="#"><u>SPEEDOMETER</u></a>
<a href="#"><u>FIG 16</u></a>	<a href="#"><u>FRAME</u></a>	<a href="#"><u>FIG 35</u></a>	<a href="#"><u>WARNING</u></a>
<a href="#"><u>FIG 17</u></a>	<a href="#"><u>FRONT SUSPENSION</u></a>	<a href="#"><u>FIG 36</u></a>	<a href="#"><u>CARRIER REAR</u></a>
<a href="#"><u>FIG 18</u></a>	<a href="#"><u>STEERING</u></a>	<a href="#"><u>FIG 37</u></a>	<a href="#"><u>GEAR,SPEEDOMETER</u></a>
<a href="#"><u>FIG 19</u></a>	<a href="#"><u>FUEL TANK</u></a>	<a href="#"><u>FIG 38</u></a>	<a href="#"><u>SPARE PARTS LIST</u></a>
<a href="#"><u>FIG 20-1</u></a>	<a href="#"><u>FRONT FENDER FOR AAM</u></a>		

# FIG 01 CYLINDER, CYLINDER HEAD



BMI

FIG.01 CYLINDER.CYLINDER HEAD 汽缸.汽缸頭

MODEL : AAM & ATG 170E

NO	PARTS NO.	PARTS NAME	QTY
1	11111-STG-00B	CYLINDER COMP	1
2	11121-STG-00	HEAD COMP, CYLINDER	1
3	11127-CHP-00	NUT, CYLINDER HEAD	4
4	11141-ROA-00	COVER, CYLINDER HEAD	1
5	11151-STG-00	GASKET, CYLINDER	1
6	11181-STG-00	GASKET, CYLINDER HEAD	1
7	11191-CHP-00	GASKET, HEAD COVER	1
8	62210-CHP-00	PLUG, SPARK (DR&EA NGK)	1
9	94410-10020	PIN, DOWEL 10*20	3
10	94717-06035-B	BOLT, STUD 6*35	2
11	96210-08079-B	BOLT, HEXAGON 8*79	1
12	96414-06012-B	BOLT, FLANGE 6*12	1
13	96414-06022-B	BOLT, FLANGE 6*22	2
14	96414-06028-B	BOLT, FLANGE 6*28	3
15	97201-122223-B	WASHER, PLATE 12.5*22*2.3	2
16	97230-061212	WASHER, COPPER 6.4*12*1.2	1
17	97230-081823	WASHER, COPPER 8.6*18*2.3	1

FIG 02 CRANKSHAFT PISTON

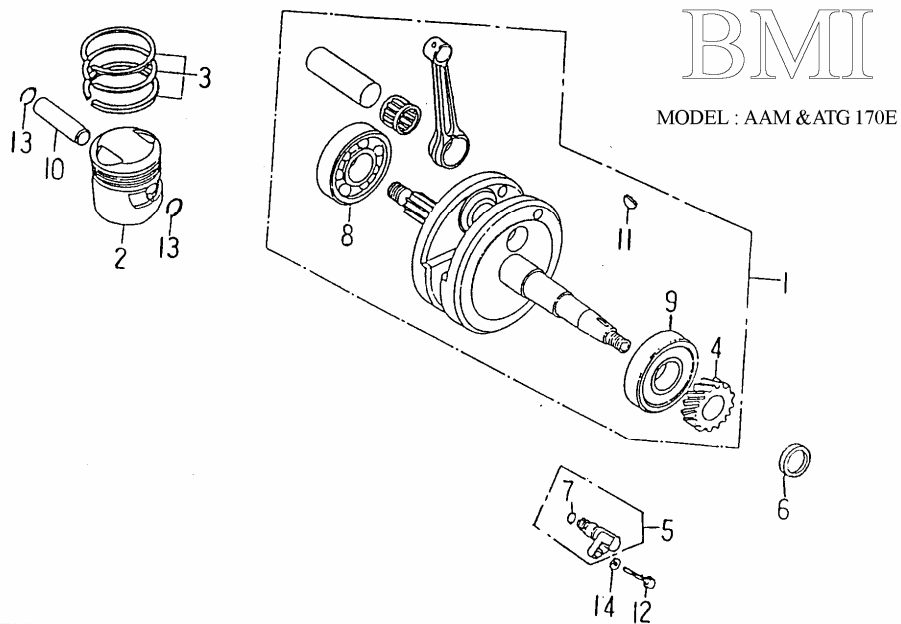


FIG.02 CRANKSHAFT.PISTON 曲軸.活塞

NO	PARTS NO.	PARTS NAME	QTY
1	11400-CHP-00	CRANKSHAFT COMP	1
2	11631-STG-00	PISTON	1
3	11636-STG-00	RING SET, PISTON	1
4	14311-CHP-00	GEAR, TIMING DRIVE (22T)	1
5	15120-CHP-00	PLUG ASSY, BEARING PUSH	1
6	93110-34507	OIL SEAL 34*50*7	1
7	93210-25130	O-RING 2.5*130	1
8	93320-286818	BEARING, RADIAL BALL 6328V4	1
9	93320-286818U	BEARINGM, RADIAL BALL 6328JR2LUA	1
10	93510-091550	PIN, PISTON	1
11	94420-04025	KEY, WOODRUFF 25*14*4	1
12	96414-06025-B	BOLT, FLANGE 6*25	1
13	97050-10017	CIRCLIP, PISTON PIN 15MM	2
14	97201-061415-B	WASHER, PLATE 62*14*1.5	1

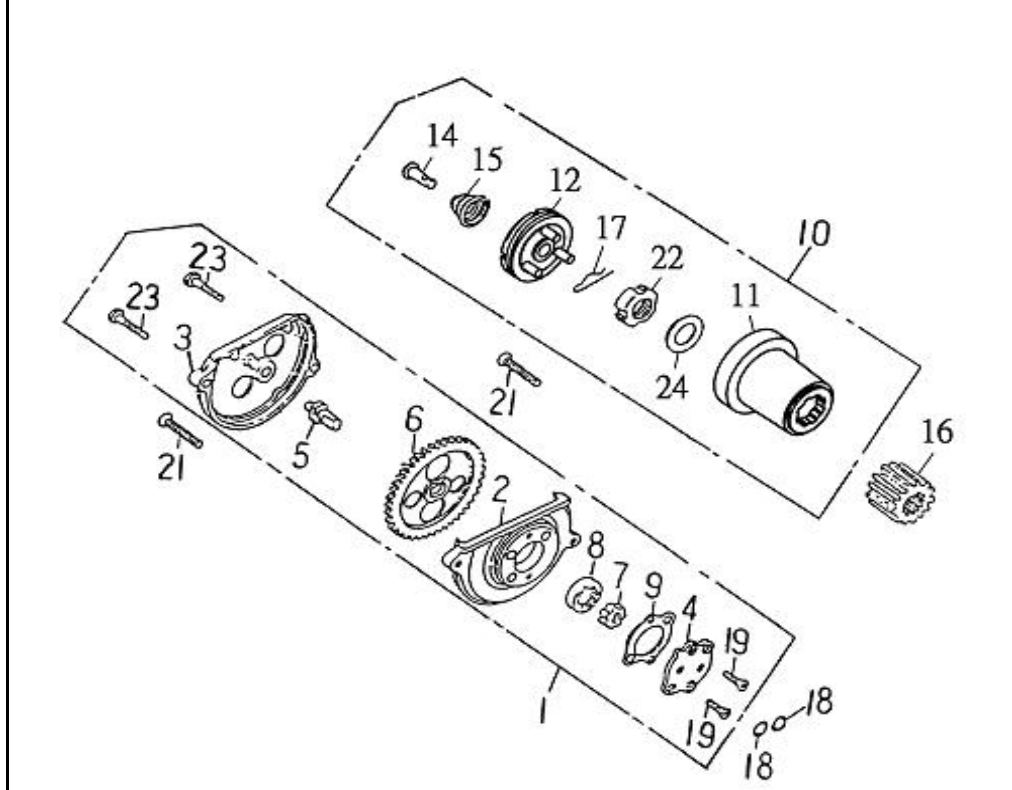
[MENU PAGE](#)

[PAGE UP](#)

[PAGE DOWN](#)

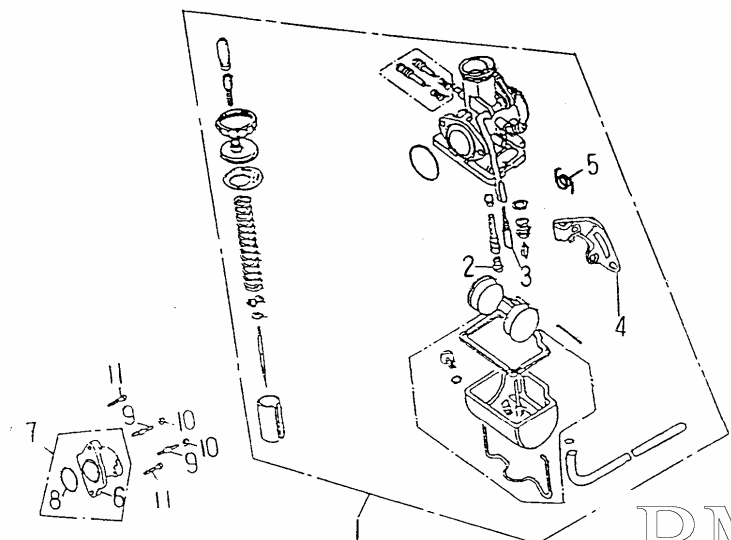
[ALL PARTS LIST](#)

FIG 03 OIL PUMP



NO	PARTS NO.	PARTS NAME	QTY
1	13100-CHI-00	PUMP ASS'Y, OIL	1
2	13111-CHP-00	BODY, OIL PUMP	1
3	13112-CHP-00	COVER, OIL PUMP GEAR	1
4	13116-CHP-00	PLATE, OIL PUMP	1
5	13121-CHP-00	SHAFT, OIL PUMP	1
6	13124-CHP-00	GEAR, OIL PUMP	1
7	13141-CHP-00	ROTOR, OIL PUMP INNER	1
8	13142-CHP-00	ROTOR, OIL PUMP OUTER	1
9	13151-CHP-00	GASKET, OIL PUMP	1
10	13301-AAM-00	OIL FILTER ROTOR ASS'Y	1
11	13310-AAM-00	ROTOR, OIL FILTER	1
12	13311-AAM-00	CAP, OIL FILTER ROTOR	1
14	13321-CHP-00	THROUGH OIL	1
15	13324-CHP-00	SPRING, OIL THROUGH	1
16	25641-CHP-00	GEAR, PRIMARY DRIVER(18T)	1
17	90230-12080	COTTER PIN 1.2*8	1
18	93210-24094	O-RING 2.4*9.4	2
19	94712-04012-K	SCREW, FLAT HEAD 4*12	2
21	94712-06030-B	SCREW, FLAT HEAD 6*30	2
22	95601-162810	NUT, RING 16MM	1
23	96210-05020-C	BOLT, HEXAGON 5*20	2
24	97310-162720	WASHER, CONICAL SPRING 16.4*26.8*2	1

**FIG 04 CARBURETOR**



BMI

FIG.04 CARBURETOR 化油器

MODEL : AAM & ATG 170E

NO	PARTS NO.	PARTS NAME	QTY
1	13201-STG-00	CARBURETOR ASS'Y	1
2	13240-STG-00	.JET, MAIN #108	1
3	13242-STG-00	.JET, MAIN #40	1
4	13276-RAM-00	HOLDER, CHOKE CABLE	1
5	13278-RAM-00	SPRING, TORSION	1
6	13620-ROA-00	INSULATOR, CARB COMP	1
7	13626-ROA-00	INSULATOR ASS'Y, CARB COMP	1
8	93210-30335	O-RING 3*33.5	1
9	94717-06028-B	BOLT, STUD 6*28	2
10	95401-061006-B	NUT, FLANGE 6MM	2
11	96414-06020-B	BOLT, FLANGE 6*20	2

[MENU PAGE](#)

[PAGE UP](#)

[PAGE DOWN](#)

[ALL PARTS LIST](#)

# FIG 05 VALVE

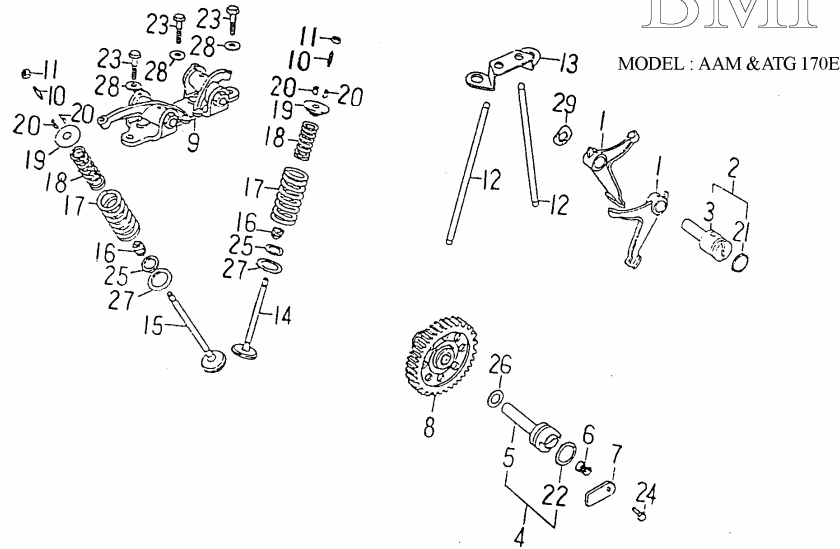


FIG.05 VALVE 閥門

NO	PARTS NO.	PARTS NAME	QTY
1	14111-CHP-00	FOLLOWER, CAM	2
2	14120-CHI-00	SHAFT COMP, CAMFOLLOWER	1
3	14121-CHI-00	SHAFT, CAMFOLLOWER	1
4	14130-CHI-00	SHAFT COMP, CAM GEAR	1
5	14131-CHI-00	SHAFT, CAM GEAR	1
6	14133-CHP-00	SPRING, CAM SHAFT	1
7	14134-CHP-00	PLATE, SPG STOPPER	1
8	14136-CHP-00	CAM SHAFT COMP	1
9	14431-CHP-00	HOLDER COMP, ROCKER ARM	1
10	14436-CHP-00	SCREW, TAPPET ADJUSTING	2
11	14437-CHP-00	NUT, TAPPET ADJUSTING	2
12	14501-CHP-00	ROD, PUSH	2
13	14560-CHP-00	GUIDE PUSH ROD	1
14	14711-CHI-00	VALVE, IN	1
15	14721-CHI-00	VALVE, EX	1
16	14731-CHP-00	SEAL, VALVE STEM	2
17	14751-CHP-00	SPRING, VALVE OUTER	2
18	14761-CHP-00	SPRING, VALVE INNER	2
19	14771-CHP-00	RETAINER, VALVE SPRING	2
20	14781-CHP-00	COTTER, VALVE	4
21	93210-25170	O-RING 2.5*17	1
22	93210-25200	O-RING 2.5*20	1
23	96210-08028-B	BOLT, HEXAGON 8*28	3
24	96411-06012-B	BOLT, FLANGE 6*12	1
25	97201-121805	SEAT, VALVE SPRING INNER 12.7*17.6)	2
26	97201-142410	WASHER, THRUST 14.3*23.8*1	1
27	97201-182610	SEAT, VALVE SPRING OUTER 18.9*26.2*1	2
28	97230-081823	WASHER, COPPER 8*18*2.3	3
29	97311-122102	WASHER, WAVE 12.3*21*0.2	1

FIG 06 CRANKCASE

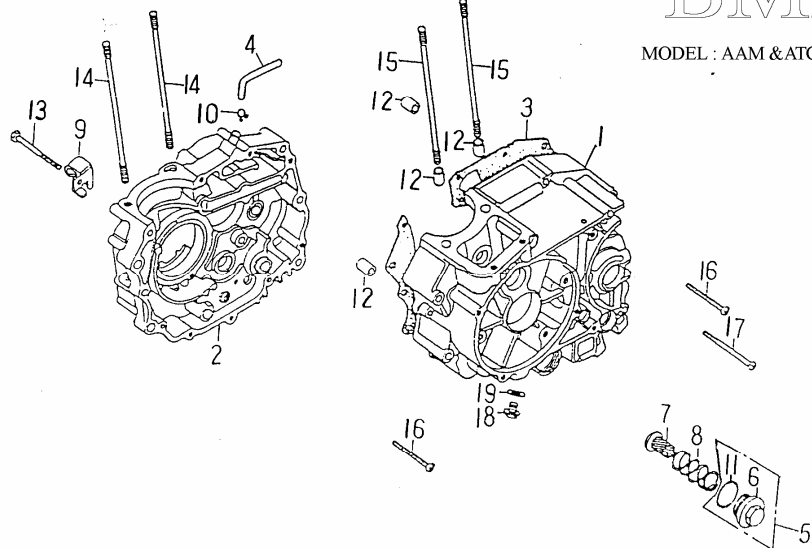


FIG.06 CRANKCASE 曲軸箱

NO	PARTS NO.	PARTS NAME	QTY
1	15111-CHI-00	CRANKCASE, LEFT	1
2	15211-CHI-00	CRANKCASE, RIGHT	1
3	15251-CHI-00	GASKET, CRANKCASE	1
4	15276-CHP-00	HOSE	1
5	15531-CHP-00	CAP ASS'Y, OIL FILTER SCREEN	1
6	15533-CHP-00	CAP, OIL FILTER SCREEN	1
7	15536-CHP-00	SCREW, OIL FILTER	1
8	15538-CHP-00	SPRING, OIL FILTER SCREEN	1
9	25793-CHP-00	HOLDER, CLUTCH WIRE	1
10	90210-10015	CLIP 1.0*147	1
11	93210-30350	O-RING 30*35	1
12	94410-10014	PIN, DOWEL 10*14	4
13	94714-06055-B	BOLT 6*55	1
14	94717-08122-C	BOLT, STUD 8*122	2
15	94717-08130-C	BOLT, STUD 8*130	2
16	96411-06050-B	BOLT, FLANGE 6*50	9
17	96411-06095-B	BOLT, FLANGE 6*95	1
18	96414-12015-B	BOLT, FLANGE 12*15	1
19	97231-122020	WASHER, ALUMINUM 12.3*20*2	1

FIG 07 LEFT CRANKCASE COVER

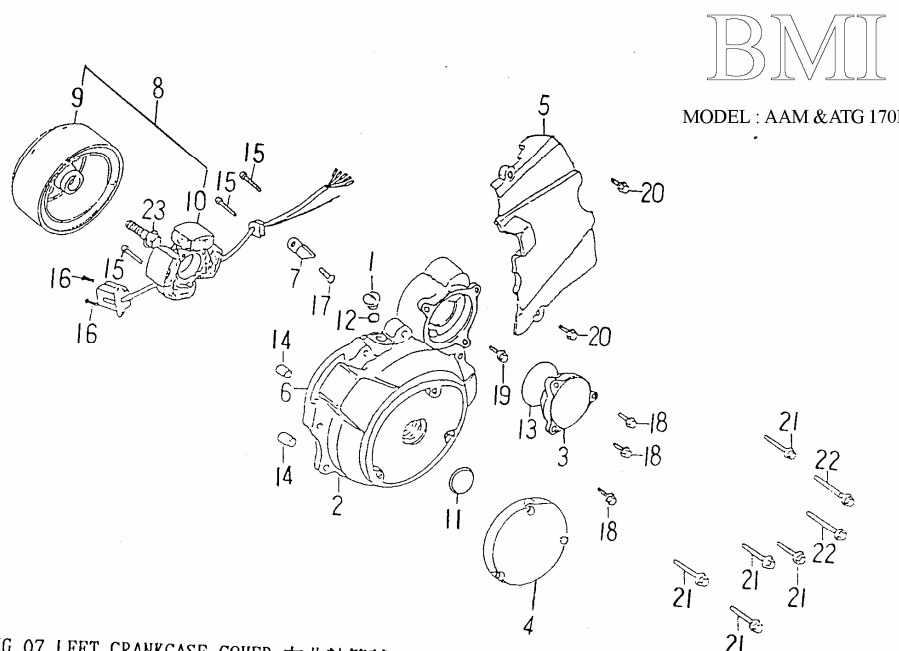
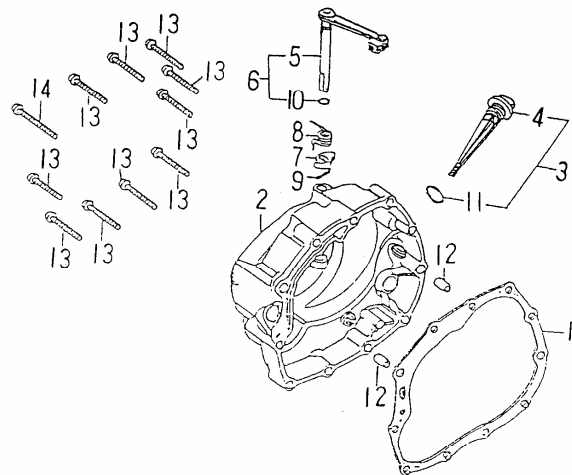


FIG.07 LEFT CRANKCASE COVER 左曲軸箱蓋

NO	PARTS NO.	PARTS NAME	QTY
1	12655-ROA-00	CAP, A.C.G	1
2	15411-CHP-00	COVER, L CRANKCASE	1
3	15416-CHP-00	COVER, REDUCTION GEAR	1
4	15417-CHP-00	CAP, L CRANKCASE COVER	1
5	15421-RAM-01	COVER, L REAR CRANKCASE	1
6	15481-CHP-00	GASKET, L CRANKCASE COVER	1
7	15541-CHP-00	CLAMPER, WIRE HARNESS	1
8	35500-CHP-00	GENERATOR ASS'Y	1
9	35550-CHP-00	FLYWHEEL COMP	1
10	35560-CHP-00	STATOR COMP	1
11	93210-24274	O-RING 2.4*27.4	1
12	93210-25138	O-RING 2.5*13.8	1
13	93210-30630	O-RING 3.0*63	1
14	94410-10014	PIN, DOWEL 10*14	2
15	96210-05025-B	BOLT, HEXAGON 5*16	3
16	96310-05016-B	SCREW,PAN HEAD 5*16	2
17	96411-06012-B	BOLT, FLANGE 6*12	1
18	96411-06020-B	BOLT, FLANGE 6*20	3
19	96411-06025-B	BOLT, FLANGE 6*25	1
20	96411-06028-B	BOLT, FLANGE 6*28	2
21	96411-06040-B	BOLT, FLANGE 6*40	5
22	96411-06050-B	BOLT, FLANGE 6*50	2
23	96414-10036-B	BOLT, FLANGE 10*36	1



**FIG 08 RIGHT CRANKCASE COVER**



BMI

FIG.08 RIGHT CRANKCASE COVER 右曲軸箱蓋

MODEL : AAM & ATG 170E

NO	PARTS NO.	PARTS NAME	QTY
1	15221-CHP-00	GASKET, R CRANKCASE COVER	1
2	15511-RAM-00	COVER, R CRANKCASE COMP	1
	15511-RAM-02	à partir de Septembre 2005	
3	15561-CHP-00	GAUGE ASS'Y OIL LEVEL	1
4	15563-CHP-00	GAUGE, OIL LEVEL	1
5	25723-CHP-00	LEVER, CLUTCH	1
6	25725-CHP-00	LEVER COMP, CLUTCH	1
7	25732-CHP-00	CAM, CLUTCH LIFTER	1
8	25753-CHP-00	SPRING, CLUTCH LEVER	1
9	90240-18016-B	PIN, SPLIT 1.8*16	1
10	93210-19068	O-RING 1.9*6.8	1
11	93210-30180	O-RING 3*18	1
12	94410-08014	PIN, DOWEL 8*14	2
13	96411-06040-B	BOLT, FLANGE 6*40	10
14	96411-06050-B	BOLT, FLANGE 6*50	1

[MENU PAGE](#)

[PAGE UP](#)

[PAGE DOWN](#)

[ALL PARTS LIST](#)

# FIG 09 TRANSMISSION STARTER

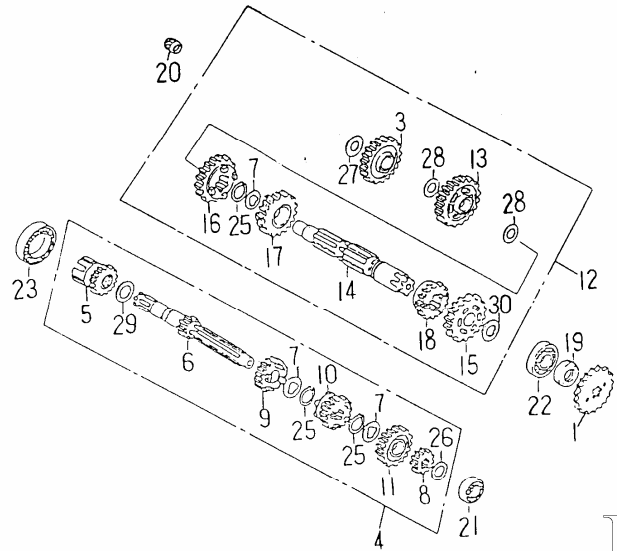


FIG.09 TRANSMISSION.STARTER 傳動系統.起動系統

BMII

MODEL : AAM & ATG 170E

NO	PARTS NO.	PARTS NAME	QTY
1	25711-RAM-00	SPROCKET DRIVE 12T	1
3	25757-CHP-00	GEAR, IDLE STARTER 29T	1
4	26100-RAM-00	MAIN SHAFT ASS'Y	1
5	26110-CHP-00	GEAR, STARTER 19T	1
6	26111-CHP-00	MAIN SHAFT, TRANSMISSION 13T	1
7	26118-CHP-00	WASHER, SPLINE	3
8	26120-CHP-00	GEAR, MAIN SHAFT SECOND 17T	1
9	26130-RAM-00	GEAR, MAIN SHAFT THIRD 20T	1
10	26140-CHP-00	GEAR, MAIN SHAFT FOURTH 23T	1
11	26150-CHP-00	GEAR, MAIN SHAFT FIFTH 25T	1
12	26400-RAM-00	COUNTER SHAFT ASS'Y	1
13	26410-CHP-00	GEAR, COUNTER SHAFT LOW 36T	1
14	26411-CHP-00	COUNTER SHAFT, TRANSMISSION	1
15	26420-CHP-00	GEAR, COUNTER SHAFT SECOND 32T	1
16	26430-RAM-00	GEAR, COUNTER SHAFT THIRD 28T	1
17	26440-CHP-00	GEAR, COUNTER SHAFT FOURTH 26T	1
18	26450-CHP-00	GEAR, COUNTER SHAFT FIFTH 24T	1
19	93110-20347	OIL SEAL 20*34*7	1
20	93310-1521120	BEARING, NEEDLE HK 1512	1
21	93320-153511Z	BEARING, RADIAL BALL 6202Z	1
22	93320-204714	BEARING, RADIAL BALL 6204	1
23	93320-305513	BEARING, RADIAL BALL 6006	1
25	97014-20012	CIRCLIP 20MM	3
26	97201-152510	WASHER, THRUST 15.4*24.8*1	1
27	97201-153010	WASHER, THRUST 15.2*30*1	1
28	97201-172405	WASHER, THRUST 16.8*24*0.5	2
29	97201-202705	WASHER, THRUST 20.4*26.8*0.5	1
30	97201-202710	WASHER, THRUST 20.4*26.8*1	1

[MENU PAGE](#)

[PAGE UP](#)

[PAGE DOWN](#)

[ALL PARTS LIST](#)

FIG 10 STARTING MOTOR

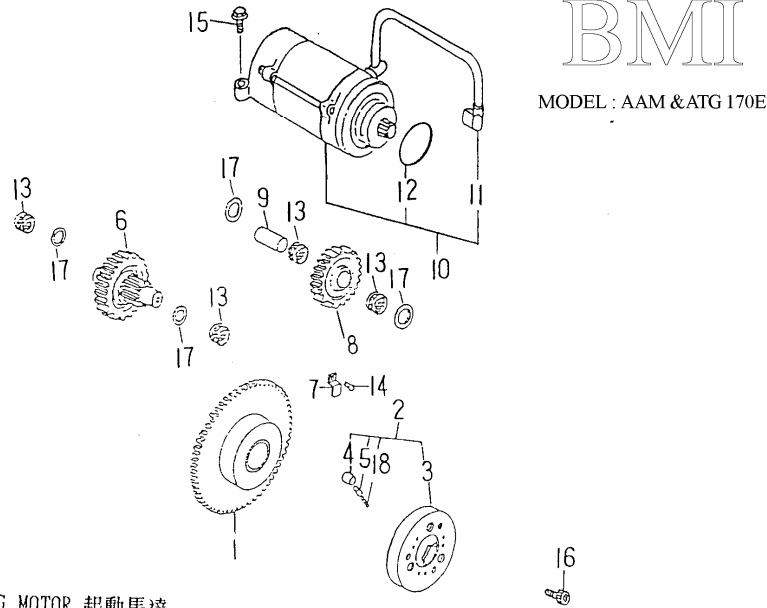


FIG.10 STARTING MOTOR 起動馬達

NO	PARTS NO.	PARTS NAME	QTY
1	23524-CHP-00	GEAR COMP, STARTING CLUTCH	1
2	23570-CHP-00	STARTING CLUTCH ASS'Y	1
3	23574-CHP-00	OUTER COMP, STARTING CLUTCH	1
4	23576-CHP-00	ROLLER 10* 12	3
5	23578-CHP-00	CAP, STARTING CLUTCH ROLLER SPRING	3
6	23612-CHP-00	SHAFT, STARTER GEAR	1
7	23632-CHP-00	PLATE, SET GEAR	1
8	23660-CHP-00	GEAR, REDUCTION	1
9	23663-CHP-00	SHAFT, REDUCTION GEAR 10* 45	1
10	35800-CHP-00	MOTOR ASS'Y, STARTER	1
11	35831-CHP-00	CABLE, STARTER MOTOR	1
12	93210-31244	O-RING 31*24.4	1
13	93310-1014100	BEARING, NEEDLE (HK1010)	4
14	96411-06012-B	BOLT, FLANGE 6* 12	1
15	96414-06028-B	BOLT, FLANGE 6* 28	2
16	96510-08018-C	BOLT, FLANGE 8* 18	3
17	97201-101805	WASHER, PLATE 10.5* 18* 0.5	4
18	97501-03025	SPRING, STARTING CLUTCH ROLLER	4

[MENU PAGE](#)

[PAGE UP](#)

[PAGE DOWN](#)

[ALL PARTS LIST](#)

FIG 11 GEAR SHIFT

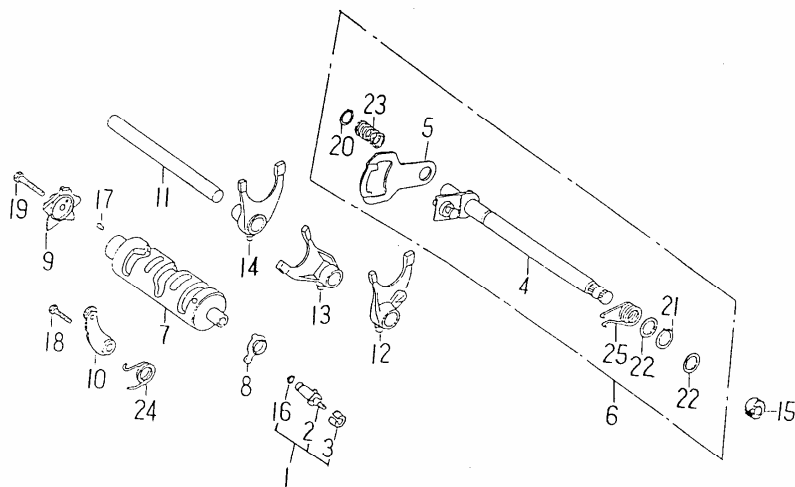


FIG.11 GEAR SHIFT 變速機構

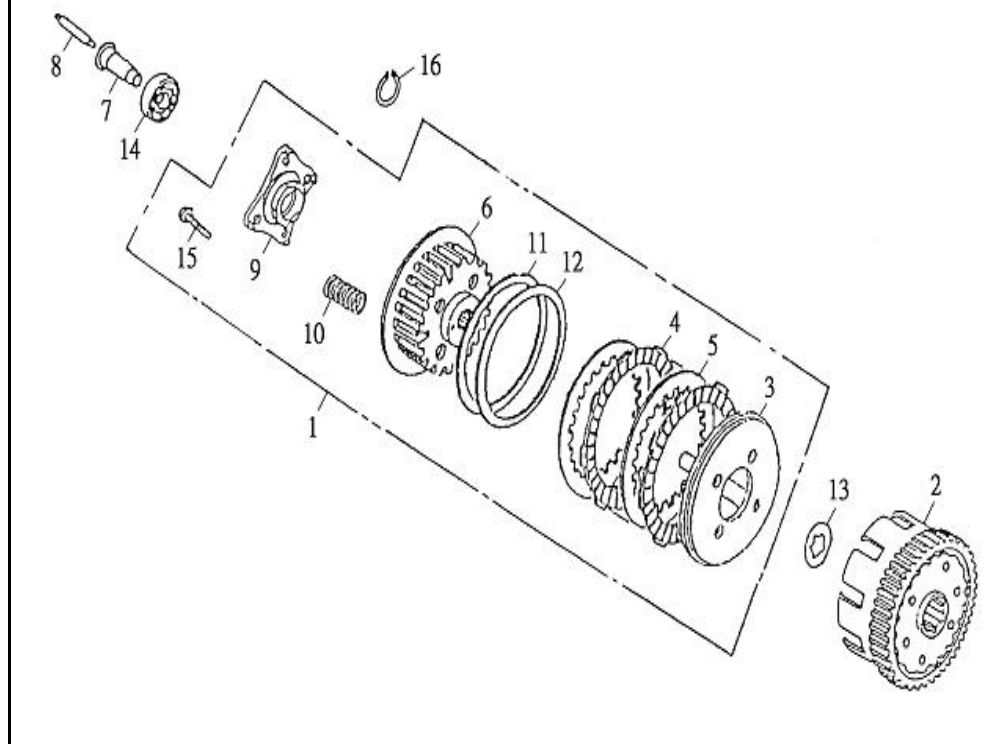
BMI  
MODEL : AAM & ATG 170E

NO	PARTS NO.	PARTS NAME	QTY
1	15126-CHP-00	CONTACT ASS'Y, NEUTRAL SWITCH	1
2	15127-CHP-00	CONTACT, NEUTRAL SWITCH	1
3	15128-CHP-00	SPACER, NEUTRAL SWITCH	1
4	24201-CHP-00	. SPINDLE, GEAR SHIFT	1
5	24206-CHP-00	.PLATE, GEAR SHIFT	1
6	24210-CHP-00	SPINDLE COMP, GEAR SHIFT	1
7	24220-CHP-00	DRUM, GEAR SHIFT	1
8	24223-CHP-00	ROTOR, NEUTRAL SWITCH	1
9	24226-CHP-00	CAM, GEAR SHIFT	1
10	24228-CHP-00	STOPPER COMP, GEAR SHIFT	1
11	24236-CHP-00	SHAFT, GEAR SHIFT FORK	1
12	24237-CHP-00	FORK, L GEAR SHIFT	1
13	24238-CHP-00	FORK, CENTER GEAR SHIFT	1
14	24239-CHP-00	FORK, R GEAR SHIFT	1
15	93110-14287	OIL SEAL 14*28*7	1
16	93210-19070	O-RING 1.9*7	1
17	94510-40010	PIN, DOWEL 4*10	1
18	96210-06020-B	BOLT, HEXAGON 6*20	1
19	96210-06025-B	BOLT, HEXAGON 6*25	1
20	97010-12010	.CIRCLIP 12MM	1
21	97010-14010	.CIRCLIP 14MM	1
22	97201-142004	.WASHER, THRUST 14.3*20*0.4	2
23	97501-12013	.SPRING, GEAR SHIFT PLATE	1
24	97508-22140	SPRING, SHAFT DRUM STOPP	1
25	97510-32080	.SPRING, GEAR SHIFT RETURN	1

FIG 12 CLUTCH

170cc GENI

avant Sept. 2005



NO	PARTS NO.	PARTS NAME	QTY
1	25602-CHP-00	CLUTCH COMP	1
2	25611-CHP-00	OUTER COMP,CLUTCH	1
3	25621-CHP-00	PLATE,CLUTCH PRESSURE	1
4	25622-CHP-00	DISK,CLUTCH FRICTION	6
5	25623-CHP-00	PLATE,CLUTCH	6
6	25661-CHP-00	CENTER,CLUTCH	1
7	25664-CHP-00	PIN,CLUTCH LIFTER GUIDE	1
8	25665-CHP-00	ROD,CLUTCH LIFTER	1
9	25670-CHP-00	PLATE,CLUTCH LIFTER	1
10	25680-CHP-00	SPRING,CLUTCH	4
11	25684-RAM-00	GASKET	1
12	25686-RAM-00	WASHER	1
13	25688-CHP-00	WASHER,SPLINE	1
14	93320-122808	BEARING,RADIAL BALL 6001	1
15	96414-06025-C	BOLT,FLANGE 6*25	4
16	97010-20012	CIRCLIP 20MM	1

[MENU PAGE](#)

[PAGE UP](#)

[PAGE DOWN](#)

[ALL PARTS LIST](#)

FIG 13 EXHAUST MUFFLER

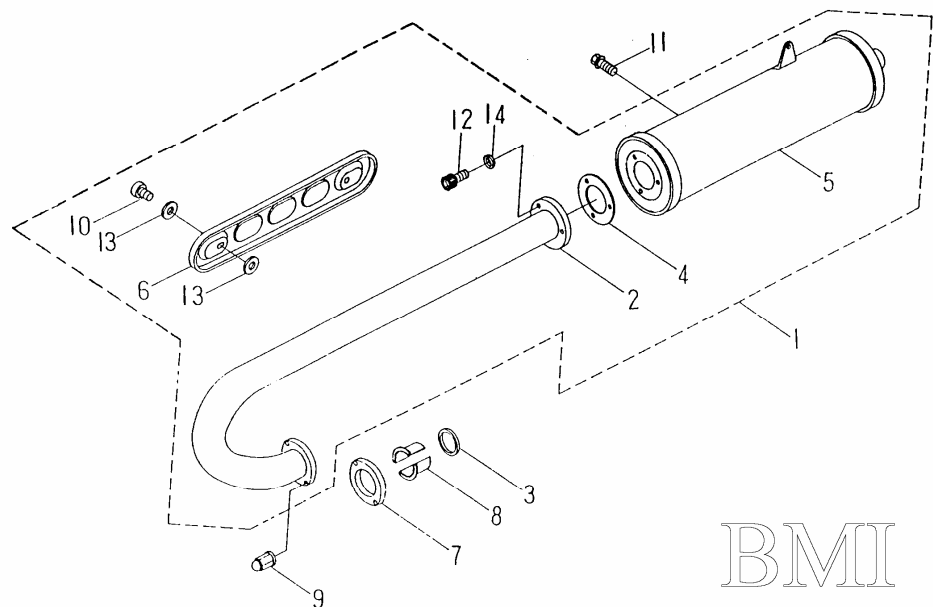


FIG.13 EXHAUST MUFFLER 排氣管

BMI

MODEL : AAM & ATG 170E

NO	PARTS NO.	PARTS NAME	QTY
1	31610-RAM-01	EXHAUST MUFFLER ASS'Y	1
2	31611-RAM-00	PIPE,EXHAUST	1
3	31613-CHP-00	GASKET,EXHAUST PIPE 31.5*39.5*3.5	1
4	31614-RAM-00	GASKET,MUFFLER	1
5	31617-RAM-01	MUFFLER COMP	1
6	31618-RAM-00	PROTECTOR,EXHAUST	1
7	31621-CHP-00	JOINT,EXHAUST PIPE	1
8	31623-CHP-00	COLLAR,EXHAUST PIPE JOINT	2
9	95501-061017-B	NUT,CAP 6MM	2
10	96316-06010-K	.SCREW,PAN HEAD	2
11	96414-08016-B	BOLT,FLANGE	1
12	96510-06020-K	BOLT,SOCKET	3
13	97210-061215	WASHER,PLATE	4
14	97301-061115-K	WASHER,SPRING 6.5*11*1.5	3

[MENU PAGE](#)

[PAGE UP](#)

[PAGE DOWN](#)

[ALL PARTS LIST](#)

FIG 14 REAR ARM

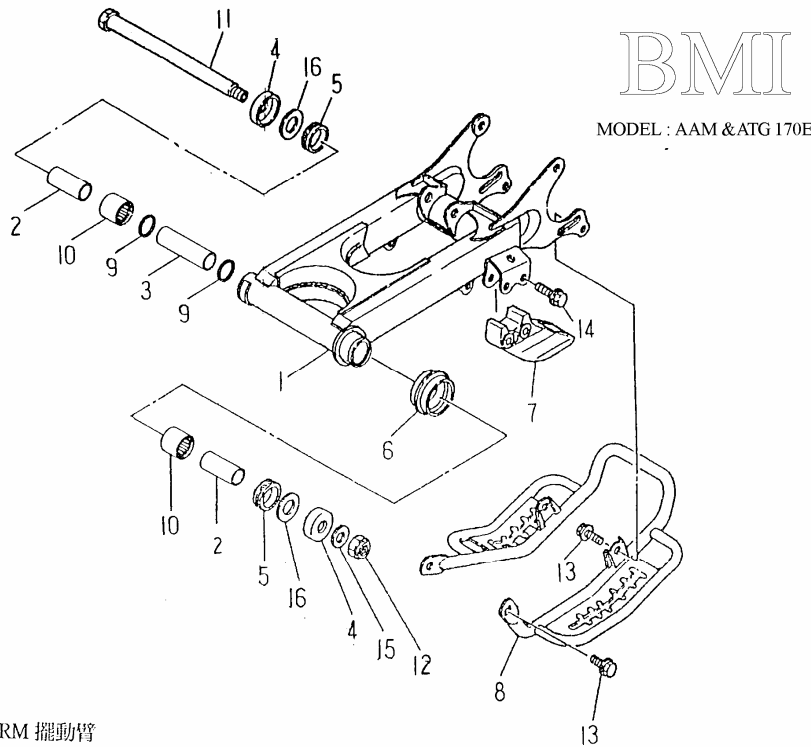
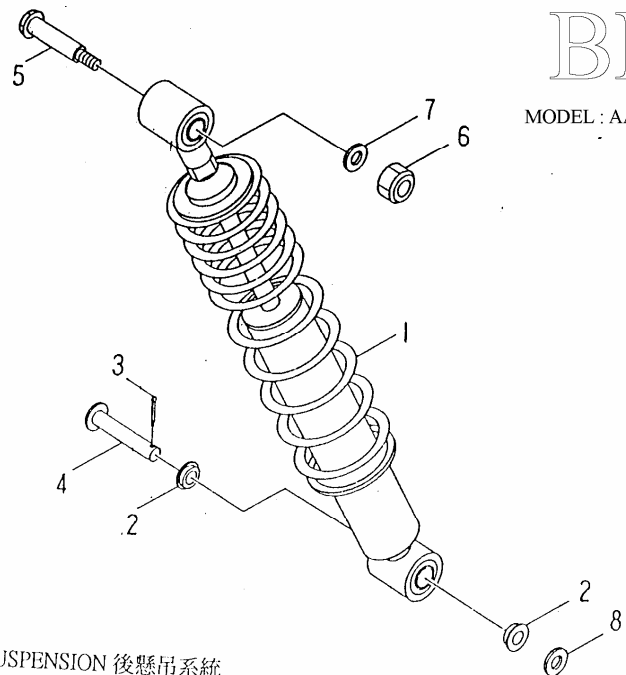


FIG.14 REAR ARM 擺動臂

NO	PARTS NO.	PARTS NAME	QTY
1	32100-RAM-00	REAR ARM	1
2	32115-RAM-00	BUSH	2
3	32116-RAM-00	SPACER	1
4	32118-RAM-00	COVER,THRUST	2
5	32119-RAM-00	OIL SEAL	2
6	32160-RAM-00	SEAL,GUARD	1
7	32165-RAM-00	SUPPORT,CHAIN	1
8	32190-RAM-00	COVER	1
9	93210-25200	O-RING 2.5*20	2
10	93310-222820	BEARING,NEEDLE ROLLER HK-2220	2
11	94610-15258-B	SHAFT,PIVOT	1
12	95301-142212-B	NUT,LOCK 14MM	1
13	96414-08012-B	BOLT,FLANGE	4
14	96414-08040-B	BOLT,FLANGE	2
15	97201-142820-B	WASHER,PLATE 14.2*28.4*2.0	1
16	97201-243820	WASHER,PLATE	2

FIG 15 REAR SUSPENSION



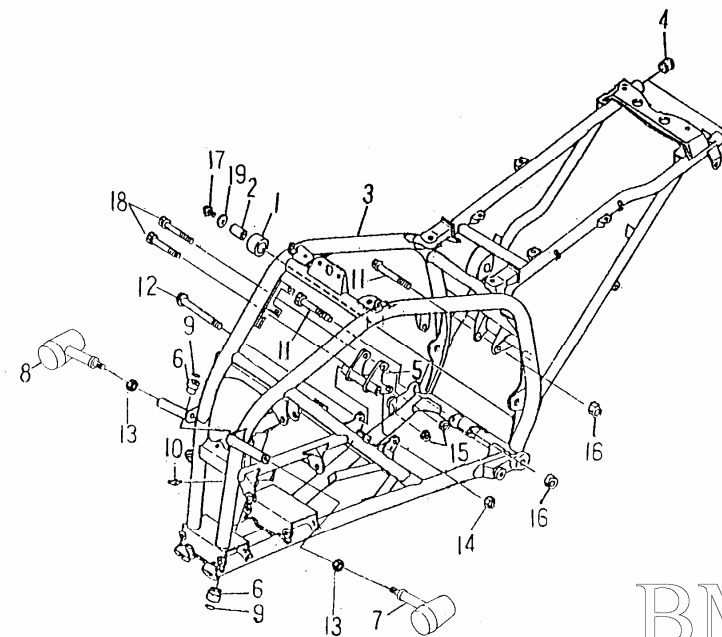
BMI  
MODEL : AAM & ATG 170E

FIG.15 REAR SUSPENSION 後懸吊系統

NO	PARTS NO.	PARTS NAME	QTY
1	32210-CBT-00	SHOCK ABSORBER ASS'Y,REAR	1
2	32231-RAM-00	COVER,THRUST	2
3	90240-29025-B	PIN,COTTER 2.9*25	1
4	94610-12070-B	PIN,CLEVIS	1
5	94710-10066-B	BOLT	1
6	95311-101710-B	NUT,NYLON	1
7	97201-102220-B	WASHER,PLATE 10.5*22*2	1
8	97201-122223-B	WASHER,PLATE 12.5*22*2.3	1



FIG 16 FRAME



BMI

MODEL : AAM & ATG 170E

FIG.16 FRAME 車架

NO	PARTS NO.	PARTS NAME	QTY
1	32167-RAM-CO	TENSIONER	2
2	32168-RAM-CO	BUSH	2
3	41110-RAM-CO	FRAME COMP	1
4	41154-RAM-CO	PLUG,SPECIAL SHAPE	2
5	41181-RAM-CO	ENGINE HANGER F	1
6	46412-RAM-CO	BUSH,SOLID	2
7	55750-RAM-CO	WINKER ASS'Y,L REAR	1
8	55760-RAM-CO	WINKER ASS'Y,R REAR	1
9	93210-24148	O-RING 2.4*14.8	2
10	94340-06010-B	NIPPLE,GREASE M6*P1.0	1
11	94610-10113-B	BOLT,FLANGE	2
12	94610-12140-B	BOLT,FLANGE	1
13	95201-101408-B	NUT,HEXAGON	2
14	95311-121912-B	NUT,NYLON	1
15	95401-081208-B	NUT,FLANGE	2
16	95401-101409-B	NUT,FLANGE	2
17	96414-08012-B	BOLT,FLANGE	2
18	96414-08088-B	BOLT,FLANGE	2
19	97201-082420-B	WASHER,PLATE 8.7*24*2.0	2

FIG 17 FRONT SUSPENSION

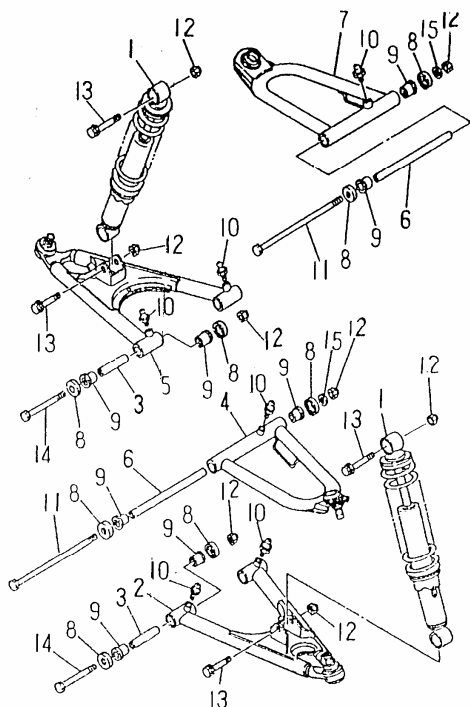


FIG.17 FRONT SUSPENSION 前懸吊系統

MODEL : AAM & ATG 170E

BMI

NO	PARTS NO.	PARTS NAME	QTY
1	42126-RAM-00	SHOCK ABSORBER ASS'Y	2
2	42161-RAM-00	FRT.LWR,ARM LEFT	1
3	42163-RAM-00	COLLAR	4
4	42166-RAM-00	FRT.UPPER,ARM LEFT	1
5	42171-RAM-00	FRT.LWR,ARM RIGHT	1
6	42173-AAM-00	COLLAR	2
7	42176-RAM-00	FRT.UPPER,ARM RIGHT	1
8	42183-RAM-00	COVER,THRUST	12
9	93330-152118	BUSH,SOLID	12
10	94340-06010-B	NIPPLE,GREASE M6*P1.0	6
11	94610-10208-B	SHAFT,PIVOT	2
12	95311-101710-B	NUT,NYLON	10
13	96414-10055-B	BOLT,FLANGE	4
14	96414-10080-B	BOLT,FLANGE	4
15	97201-102020-B	WASHER,PLATE 10.5*20*2	2

[MENU PAGE](#)

[PAGE UP](#)

[PAGE DOWN](#)

[ALL PARTS LIST](#)

FIG 18 STEERING

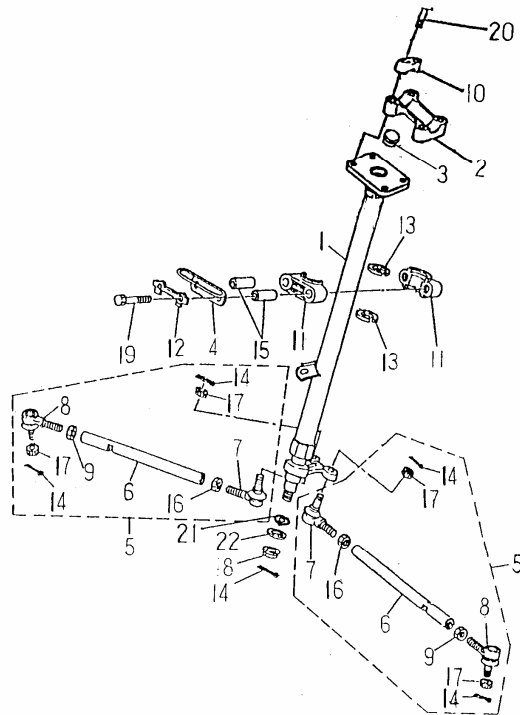


FIG.18 STEERING 轉向裝置

MODEL : AAM & ATG 170E

NO	PARTS NO.	PARTS NAME	QTY
1	42101-RAM-02	COLUMN,STEERING	1
2	42106-SK9-00	BRIDGE, TOP	1
3	42111-RAM-00	PLUG, TAPER	1
4	42118-RAM-00	BRACKER, STRG LOWER	1
5	42140-RAM-00	ROD, TIE ASS'Y	2
6	42141-RAM-00	ROD, TIE	2
7	42142-RAM-00	JOINT, UNIVERSAL 1	2
8	42143-RAM-00	JOINT, UNIVERSAL 2	2
9	42146-RAM-00	NUT	2
10	46125-RAM-00	HOLDER, HANDLE UPR	2
11	46411-RAM-00	BEARING, STEERING	2
12	46416-RAM-00	WASHER, LOCK	1
13	46417-RAM-00	OIL SEAL	2
14	90240-23020-B	PIN, COTTER 2.3*20	5
15	93510-081442-C	COLLAR	2
16	95201-101408-C	NUT, HEXAGON	2
17	95321-101710-C	NUT, CASTLE	4
18	95401-101409-B	NUT, NYLON	1
19	96210-08060-B	BOLT, HEXAGON	2
20	96414-08050-B	BOLT, FLANGE	4
21	97201-102620-B	WASHER, PLATE	1
22	97301-101720-B	WASHER, SPRING	1

FIG 19 FUEL TANK

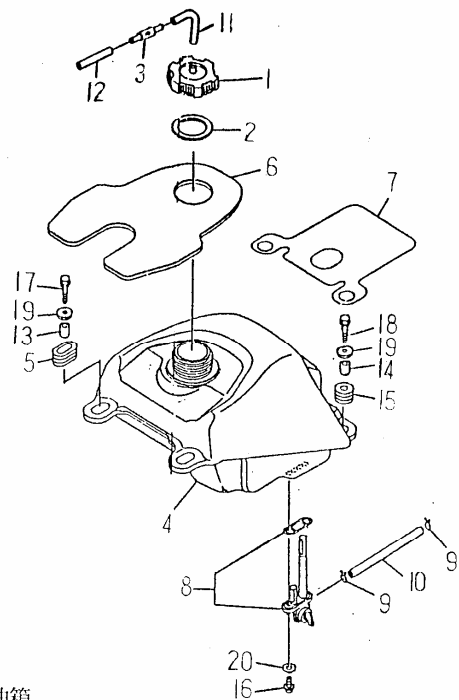


FIG.19 FUEL TANK 油箱

BMI  
MODEL : AAM & ATG 170E

NO	PARTS NO.	PARTS NAME	QTY
1	43102-RAM-00	CAP ASS'Y	1
2	43103-RAM-00	CAP WASHER	1
3	43108-SK5-00	CHECK, VALVE	1
4	43110-RAM-01	FUEL TANK	1
5	43151-RAM-00	GROMMET F	2
6	43153-RAM-00	TRIM, COVER PANEL	1
7	43154-RAM-00	GUARD	1
8	43500-RAM-00	FUEL COCK ASS'Y	1
9	90210-12010	CLIP	1
10	90310-50150	HOSE, FUEL	1
11	90310-50050	HOSE 5*8*50	1
12	90310-50390	HOSE 5*8*390	2
13	93510-061015-B	COLLAR F	2
14	93510-061021-B	COLLAR R	2
15	93580-102416	GROMMET R	2
16	96318-06012-B	SCREW, PAN HEAD	2
17	96414-06025-B	BOLT, FLANGE	2
18	96414-06032-B	BOLT, FLANGE	2
19	97201-062220-B	WASHER, PLATE	4
20	97210-061315	WASHER, PLATE	2

FIG 20-1 FRONT FENDER FOR AAM

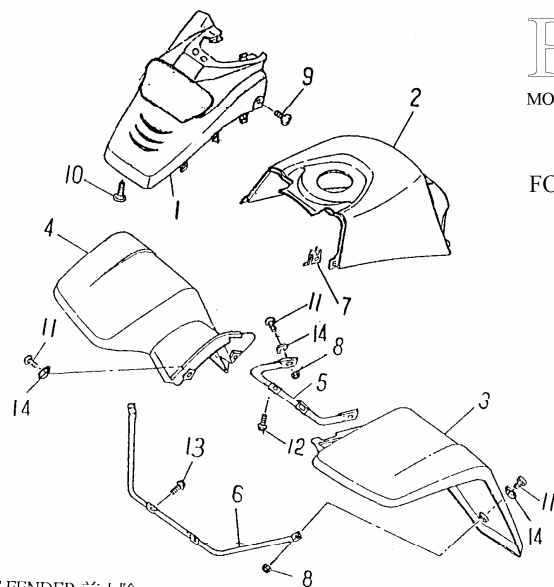


FIG.20 FRONT FENDER 前土除

BMI

MODEL : AAM 170E

FOR AAM ONLY

NO	PARTS NO.	PARTS NAME	Q'TY
1	51151-AAM-00	PANEL,FRONT rouge	1
	51151-AAM-0003	PANEL,FRONT jaune	1
	51151-AAM-0004	PANEL,FRONT bleu	1
	51151-AAM-0007	PANEL,FRONT noir	1
2	51532-RAM-00	COVER,TOP rouge	1
	51532-RAM-0003	COVER,TOP jaune	1
	51532-RAM-0004	COVER,TOP bleu	1
	51532-RAM-0007	COVER,TOP noir	1
3	51552-RAM-00	FENDER,FRONT L rouge	1
	51552-RAM-0003	FENDER,FRONT L jaune	1
	51552-RAM-0004	FENDER,FRONT L bleu	1
	51552-RAM-0007	FENDER,FRONT L noir	1
4	51553-RAM-00	FENDER,FRONT R rouge	1
	51553-RAM-0003	FENDER,FRONT R jaune	1
	51553-RAM-0004	FENDER,FRONT R bleu	1
	51553-RAM-0007	FENDER,FRONT R noir	1
5	51554-RAM-00	STAY,FENDER UPPER	1
6	51556-RAM-00	SYAT,FENDER LOWER	1
7	95101-05012	NUT,SPRING	2
8	95401-061006-B	NUT,FLANGE	4
9	96112-51216-K	SCREW,TAPPING	2
10	96318-06012-B	SCREW,PAN HEAD	1
11	96318-06015-B	SCREW,PAN HEAD	6
12	96414-06012-B	BOLT,FLANGE	2
13	96414-06016-B	BOLT,FLANGE	2
14	97321-061825-B	WASHER,FLANGE	6

AUTOCOLLANTS

56811-AAM-00	KIT DECO	décalc.noirs MAGNAT
56811-ATG-00	KIT DECO	CHEETAH
KITAUTOC170	KIT DECO	pour WAYSCRAL rouges jaunes bleus
KITAUTOC17001	KIT DECO	pour WAYSCRAL noirs

FIG 20-2 FRONT FENDER FOR ATG

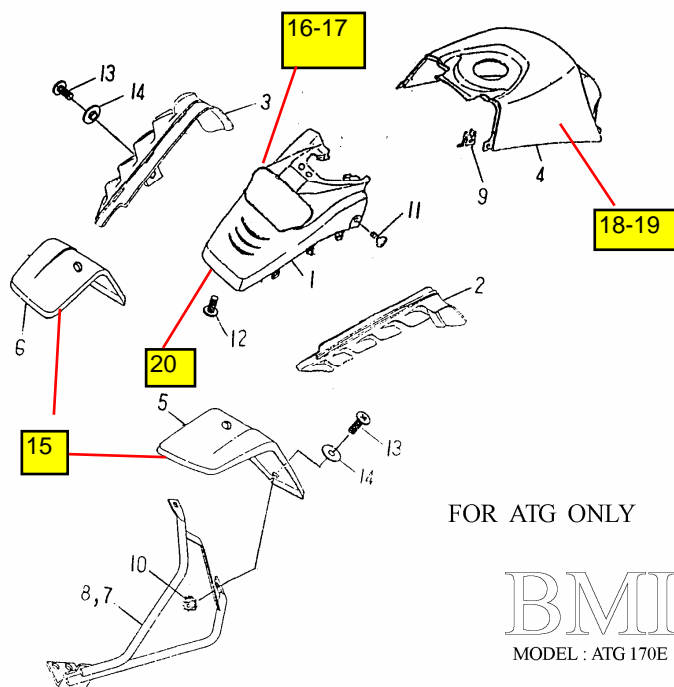


FIG.20 FRONT FENDER 前土除

NO	PARTS NO.	PARTS NAME	QTY
1	51151-AAM-0007	PANEL,FRONT noir	1
2	51162-STG-00	COVER,LEFT TOOL rouge	1
	51162-STG-0003	COVER,LEFT TOOL jaune	1
	51162-STG-0004	COVER,LEFT TOOL bleu	1
	51162-STG-0007	COVER,LEFT TOOL noir	1
3	51163-STG-00	COVER,RIGHT TOOL roug	1
	51163-STG-0003	COVER,RIGHT TOOL jaun	1
	51163-STG-0004	COVER,RIGHT TOOL bleu	1
	51163-STG-0007	COVER,RIGHT TOOL noir	1
4	51532-RAM-0007	COVER,TOP noir	1
5	51552-STG-0007	FENDER,FRONT L noir	1
6	51553-STG-0007	FENDER,FRONT R noir	1
7	51554-STG-00	STAY,FENDER L	1
8	51556-STG-00	STAY,FENDER R	1
9	95101-05012	NUT,SPRING	2
10	95401-061006-B	NUT,FLANGE	4
11	96112-51216-K	SCREW,TAPPING	2
12	96318-06012-B	SCREW,PAN HEAD	1
13	96318-06015-B	SCREW,PAN HEAD	6
14	97321-061825-B	WASHER,FLANGE	6

15	56812-ATG-00	DECALC"BAROSSA"	1 (jeu de 2)
16	56813-ATG-00	DECALC LAT AV G	1 noir
	56813-ATG-00J	DECALC LAT AV G	1 jaune
	56813-ATG-00R	DECALC LAT AV G	1 rouge
17	56814-ATG-00	DECALC LAT AV D	1 noir
	56814-ATG-00J	DECALC LAT AV D	1 Jaune
	56814- ATG-00R	DECALC LAT AV D	1 rouge
18	56815-ATG-00	DECALC RESE G	1 noir
	56815-ATG-00J	DECALC RESE G	1 jaune
	56815-ATG-00R	DECALC RESE G	1 rouge
19	56816-ATG-00	DECALC RESE D	1 noir
	56816-ATG-00J	DECALC RESE D	1 jaune
	56816-ATG-00R	DECALC RESE D	1 rouge
20	56819-ATG-00	LOGO "BAROSSA"	1



FIG 22 SEAT

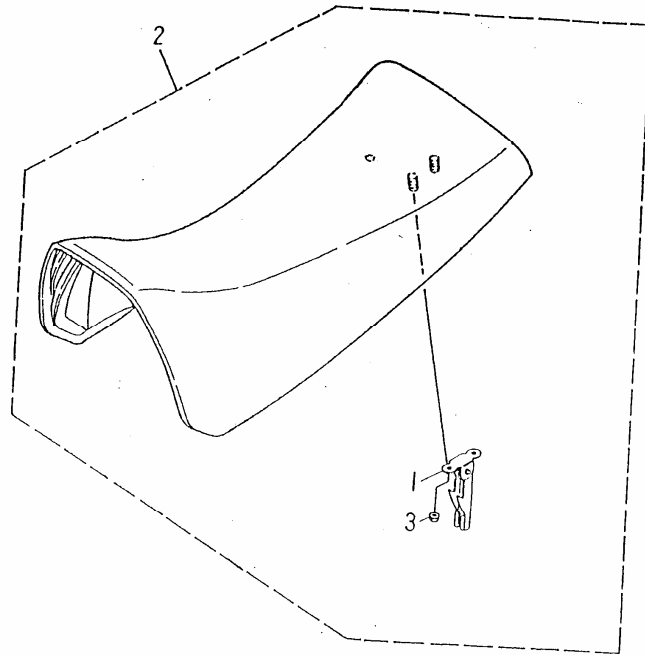


FIG.22 SEAT 座墊

BMI  
MODEL : AAM & ATG 170E

NO	PARTS NO.	PARTS NAME	QTY
1	52710-RAM-00	CATCH COMP,SEAT	1
2	52730-AAM-01	SINGLE SEAT ASS'Y rouge	1
	52730-AAM-02	SINGLE SEAT ASS'Y jaune	1
3	95401-061006-C	NUT,FLANGE	2



FIG 23 FRONT WHEEL

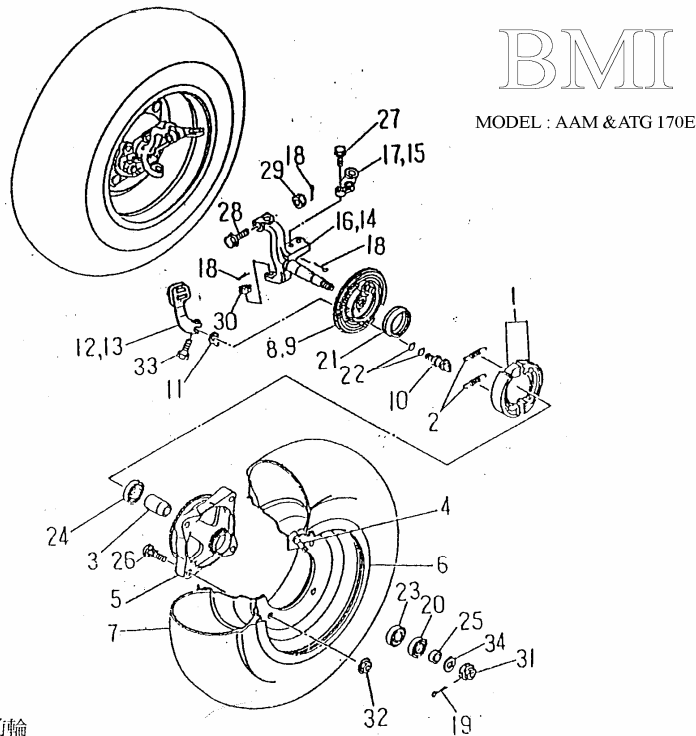
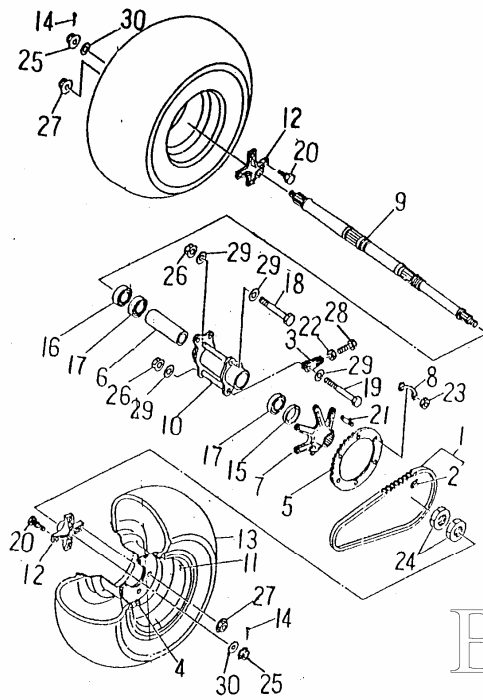


FIG.23 FRONT WHEEL 前輪

NO	PARTS NO.	PARTS NAME	QTY
1	32345-NAF-00	BRAKE SHOE SET	2
2	32346-NAF-00	SPRING,TENSION	4
3	42515-RAM-00	SPACER,BEARING	2
4	42570-RAM-00	VALVE,RIM	2
5	42581-RAM-00	HUB,FRONT	2
6	42582-RAM-00	WHEEL,FRONT 10*5.5AT	2
7	42590-RAM-02	TIRE,FRONT AT21*7-10 HF-247	2
	42711-182-00B	PNEU AV TT	
8	45811-RAM-01	PLATE,BRAKE SHOE L	1
9	45821-RAM-01	PLATE,BRAKE SHOE R	1
10	45851-RAM-00	CAMSHAFT	2
11	45853-RAM-00	PLATE,INDICATOR	2
12	45855-RAM-01	LEVER,CAMSHAFT L	1
13	45856-RAM-01	LEVER,CAMSHAFT R	1
14	45861-RAM-00	KNUCKLE,STEERING L	1
15	45862-RAM-00	JOINT,ROD L	1
16	45866-RAM-00	KNUCKLE,STEERING R	1
17	45867-RAM-00	JOINT,ROD R	1
18	90240-23020-B	PIN,COTTER 2.3*20	8
19	90240-29025-B	PIN,COTTER 2.9*25	2
20	93110-22357	OIL SEAL SD22*35*7	2
21	93110-50627	OIL SEAL SDD 50*62*7	2
22	93210-24118	O-RING 2.4*11.8	4
23	93320-153511S	BEARING,RADIAL BALL 6202 CS05/2A	2
24	93320-203709S	BEARING,RADIAL BALL 6904 CM/2A	2
25	93510-152209-C	COLLAR	2
26	94710-10032-C	BOLT,STUD	8
27	94716-10030-C	BOLT,KEYHOLE	4
28	94716-10040-C	BOLT,KEYHOLE	2
29	95311-101710-C	NUT,NYLON	2
30	95321-101710-C	NUT,CASTLE	2
31	95321-142215-C	NUT,CASTLE	2
32	95401-101409-C	NUT,FLANGE	8
33	96210-06030-B	BOLT,HEXAGON	2
34	97201-142820-C	WASHER,PLATE 14.2x28.4x2	2

[MENU PAGE](#) [PAGE UP](#) [PAGE DOWN](#) [ALL PARTS LIST](#)

# FIG 24 REAR WHEEL



BMI

MODEL : AAM & ATG 170E

FIG.24 REAR WHEEL 後輪

NO	PARTS NO.	PARTS NAME	QTY
1	25741-RAM-01	CHAIN 520*92L	1
2	25742-RAM-00	JOINT,CHAIN	1
3	32120-RAM-00	ADJUSTER,CHAIN	2
4	42570-RAM-00	VALVE,RIM	2
5	42812-RAM-00	SPROCKET,DRIVEN 40T	1
6	42815-RAM-00	SPACER,BEARING	1
7	42821-RAM-00	COLLAR,SPROCKET AXLE	1
8	42823-RAM-00	WASHER,LOCK	3
9	42835-RAM-00	AXLE,WHEEL	1
10	42881-RAM-00	HUB,REAR	1
11	42882-RAM-00	WHEEL,REAR 8*8OAT	2
12	42885-RAM-00	COLLAR,WHEEL	2
13	42890-RAM-02	TIRE,REAR AT21*10-8HF-247	2
	42811-182-00B	PNEUS AR TT	2
14	90240-29025-B	PIN,COTTER 2.9*25	2
15	93110-42628	OIL SEAL 42*62*8	1
16	93110-44628	OIL SEAL 44*62*8	1
17	93320-356214	BEARING,RSDIAL BALL 6007	2
18	94610-10174-B	BOLT	1
19	94610-10178-B	BOLT	1
20	94710-10032-C	BOLT,STUD	8
21	94717-08028-C	BOLT,STUD	6
22	95201-081207-B	NUT,HEXAGON	2
23	95201-081406-B	NUT,HEXAGON	6
24	95201-335014-C	NUT,HEXAGON	2
25	95326-142114-C	NUT,CASTLE FLANGE	2
26	95401-101409-B	NUT,FLANGE	2
27	95401-101409-C	NUT,FLANGE	8
28	96210-08055-B	BOLT,HEXAGON	2
29	97201-102620-B	WASHER,PLATE 10.3*26*20	4
30	97201-143240-C	WASHER,PLATE 14.2*32.5*40	2

[MENU PAGE](#) [PAGE UP](#) [PAGE DOWN](#) [ALL PARTS LIST](#)

FIG 25 REAR BRAKE

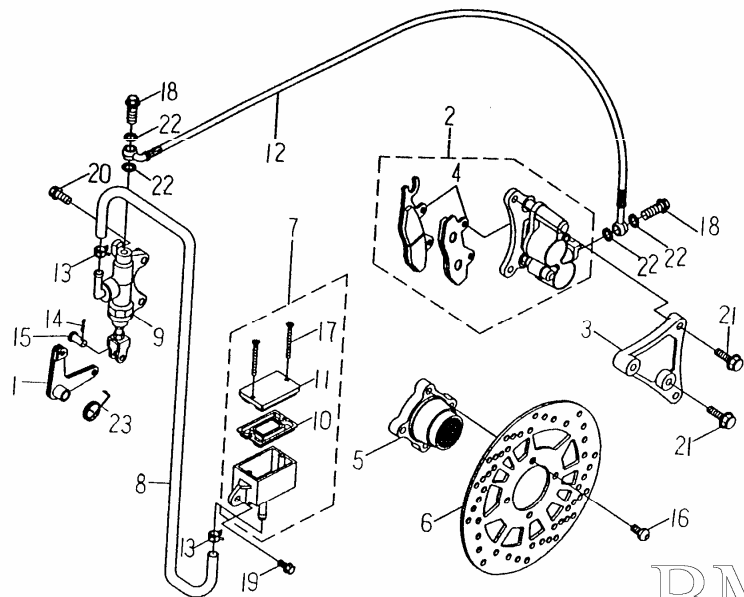
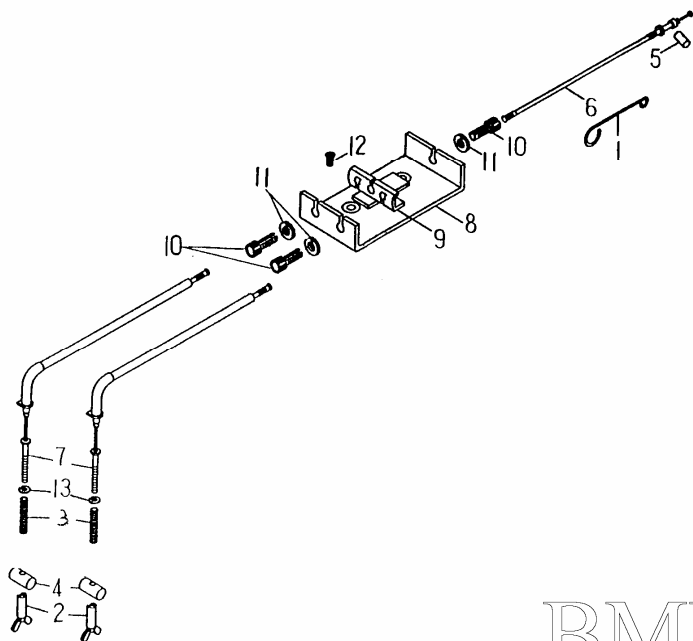


FIG.25 REAR BRAKE 後利車系統

BMI  
MODEL : AAM & ATG 170E

NO	PARTS NO.	PARTS NAME	QTY
1	32355-RAM-CO	LEVER, CAMSHAFT	1
2	45801-RAM-CO	CALIPER ASS'Y	1
3	45810-RAM-CO	BRACKET, CALIPER	1
4	45815-RAM-CO	PAD, CALIPER	1
5	45830-RAM-CO	BRACKET, DISC	1
6	45831-RAM-CO	DISC, BRAKE	1
7	45871-RAM-CO	RESERVOIR	1
8	45874-RAM-CO	HOSE 8*13*400	1
9	45877-RAM-CO	CYLINDER KIT, MASTER	1
10	45878-NAF-CO	DIAPHRAGM, RESERVOIR	1
11	45879-NAF-CO	CAP, RESERVOIR	1
12	61320-RAM-CO	HOSE, BRAKE	1
13	90220-80013	CLAMP	2
14	90230-12008	COTTER PIN	1
15	94610-06016-B	PIN, CLEVIS	1
16	94706-08017-B	BOLT, BUTTON	4
17	94712-04040-K	SCREWM FLAT HEAD	2
18	94716-10022-G	BOLT, UNION	2
19	96414-06016-B	BOLT, FLANGE	1
20	96414-06022-B	BOLT, FLANGE	2
21	96414-08020-B	BOLT, FLANGE	4
22	97230-101512	WASHER, COPPER 10.3*15*1.2	4
23	97508-22202-B	SPRING TORSION	1

FIG 26 INTERGRATED



BMI

MODEL : AAM & ATG 170E

FIG.26 INTEGRATED 整合式剎車系統

NO	PARTS NO.	PARTS NAME	QTY
1	42119-NAF-00	HOLDER, BRAKE HOSE	1
2	61379-SK9-00	NUT, ADJUST	2
3	97501-12087-B	SPRING, COMPRESSION	2
4	61389-NAF-00	PIN, FIXTURE	2
5	61389-RAM-00	PIN, FIXTURE	1
6	61811-RAM-00	CABLE, BRAKE UPPER	1
7	61812-RAM-00	CABLE, BRAKE LWR	2
8	61861-RAM-00	CABLE, PAN CONNECTOR	1
9	61863-RAM-00	SLIDER, CONNECTOR	1
10	62916-RAM-00	BOLT, WIRE ADJUSTING	3
11	62917-RAM-00	NUT, WIRE ADJUSTING	3
12	94712-06012-B	SCREW, FLAT HEAD	1
13	97011-06008-B	CIRCLIP 6*08	2

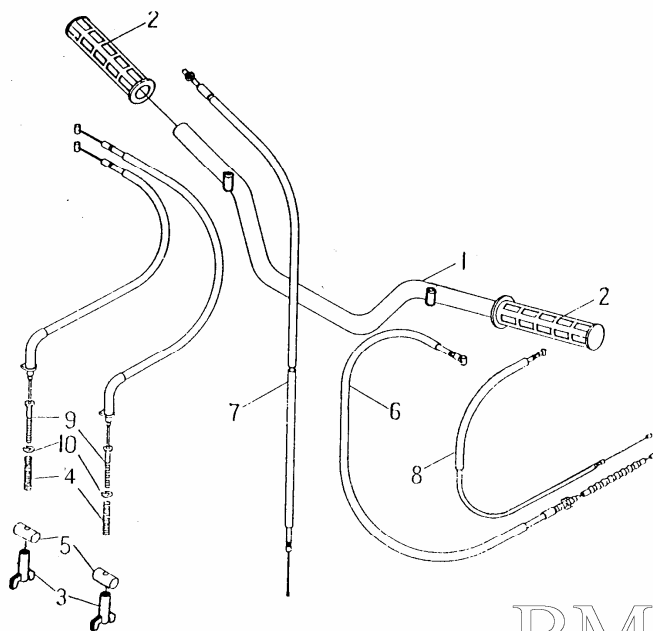
[MENU PAGE](#)

[PAGE UP](#)

[PAGE DOWN](#)

[ALL PARTS LIST](#)

FIG 27 STEERING HANDLE CABLE



BMI

MODEL : AAM & ATG 170E

FIG.27 STEERING HANDLE CABLE 轉向把手,鋼索

NO	PARTS NO.	PARTS NAME	QTY
1	46110-RAM-01	HANDLEBAR	1
2	46240-RAM-00	GRIP	2
3	61379-SK9-00	NUT, ADJUSTING	2
4	97501-12087-B	SPRING, COMPRESSION	2
5	61389-NAF-00	PIN, FIXTURE	2
6	61420-RAM-00	CABLE, CLUTCH	1
7	61620-STG-00	CABLE, THROTTLE	1
8	61720-RAM-00	CABLE, CHOKE	1
9	61820-RAM-00	CABLE, BRAKE	2
10	97011-06008-B	CIRCLIP 6*08	2

[MENU PAGE](#)

[PAGE UP](#)

[PAGE DOWN](#)

[ALL PARTS LIST](#)

# FIG 28 HANDLE SWITCH

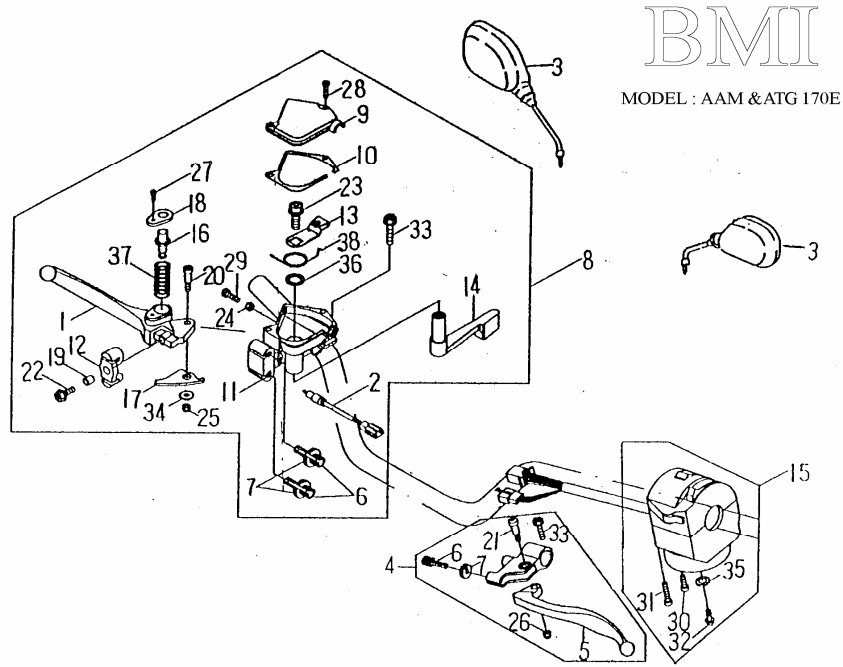
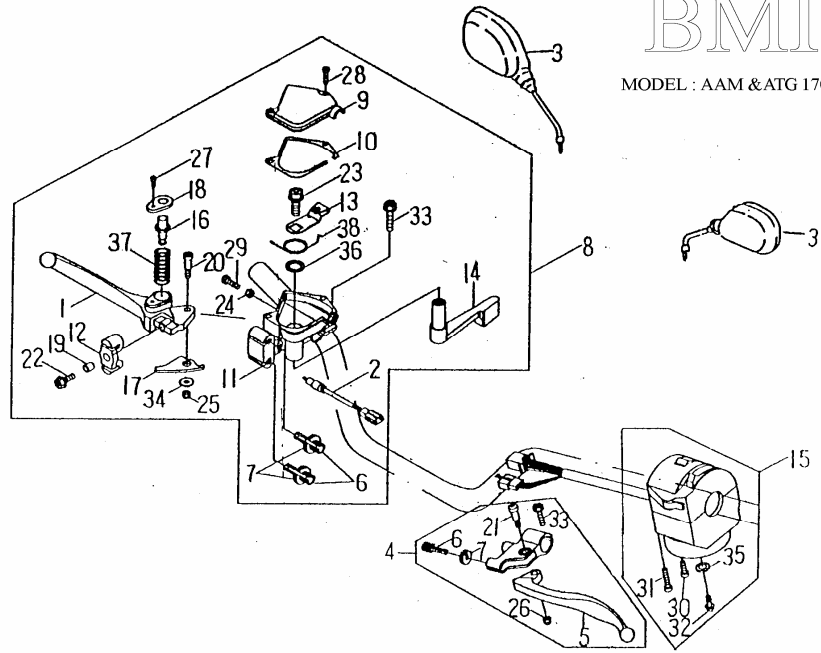


FIG.28 HANDLE SWITCH , LEVER 把手開關,拉桿

NO	PARTS NO.	PARTS NAME	QTY
1	45872-RAM-00	LEVER, R	1
2	45890-RAM-00	WIRING, FR STOP SWITCH	1
3	56270-ROA-00	MIRROR ASS'Y, BACK	1
4	62910-RAM-01	LEVER ASS'Y, HANDLE L	1
5	62912-SK9-01	LEVER, L	1
6	62916-RAM-00	BOLT, WIRE ADJUSTING	3
7	62917-RAM-00	NUT, WIRE ADJUSTING	3
8	62920-RAM-00	THROTTLE LEVER ASS'Y	1
9	62923-RAM-00	CAP, THROTTLE	1
10	62924-RAM-00	GASKET, THROTTLE	1
11	62925-RAM-00	THROTTLE LEVER	1
12	62926-RAM-00	JOINT, CABLE	1
13	62927-RAM-00	ARM, THROTTLE	1
14	62928-RAM-00	LEVER, THROTTLE	1
15	62930-RAM-02	HANDLE SWITCH ASS'Y L	1
16	62971-RAM-00	PIN, LOCK	1
17	62973-RAM-00	LOCK, LEVER	1
18	62976-RAM-00	COVER	1
19	93560-68507	COLLAR, LEVER 6.3*8.5*7.4	1
20	94710-05022-G	BOLT, LEVER	1
21	94710-06029-G	BOLT, LEVER	1
22	94714-06016-G	BOLT	1
23	94714-08012-G	BOLT	1
24	95201-050804-G	NUT, HEXAGON	1
25	95311-050805-K	NUT, NYLON	1
26	95311-061006-K	NUT, NYLON	1
27	96310-03008-B	SCREW, PAN HEAD	1
28	96310-04015-G	SCREW, PAN HEAD	2
29	96310-05015-G	SCREW, PAN HEAD	1
30	96310-05030-G	SCREW, PAN HEAD	1
31	96310-05040-G	SCREW, PAN HEAD	1
32	96310-06010-G	SCREW, PAN HEAD	1
33	96510-06020-G	BOLT	2
34	97201-051516-C	WASHER, PLATE 5.3*15*1.6	1

# FIG 28 HANDLE SWITCH



**BMI**

MODEL : AAM & ATG 170E

NO	PARTS NO.	PARTS NAME	QTY
35	97201-061310B	WASHER, PLATE 65* 13* 1.0	1
36	97201-142016C	WASHER, PLATE 142* 19.7* 1.6	1
37	97501-08025-B	SPRING	1
38	97508-10240-B	SPRING	1

FIG.28 HANDLE SWITCH , LEVER 把手開關,拉桿

FIG 29 STAND FOOTREST

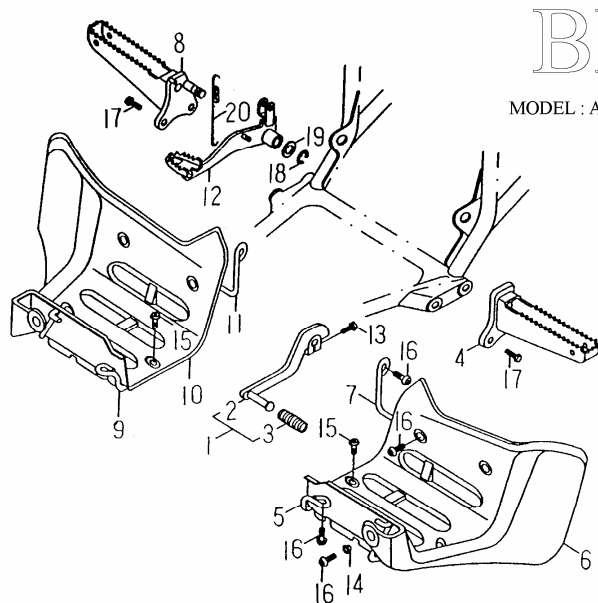


FIG.29 STAND FOOTREST 脚踏桿

NO	PARTS NO.	PARTS NAME	QTY
1	53210-RAM-CO	CHANGE PEDAL ASS'Y	1
2	53211-RAM-CO	CHANGE PEDAL	1
3	53214-ROA-CO	RUBBER, CHANGE PEDAL	1
4	53231-RAM-CO	FOOTREST L	1
5	53233-RAM-CO	MUDGUARD STAY L1	1
6	53234-RAM-CO	MUDGUARD L	1
7	53236-RAM-CO	MUDGUARD STAY L2	1
8	53241-RAM-CO	FOOTREST R	1
9	53243-RAM-CO	MUDGUARD STAY R1	1
10	53244-RAM-CO	MUDGUARD R	1
11	53246-RAM-CO	MUDGUARD STAY R2	1
12	53261-RAM-CO	PEDAL, BRAKE	1
13	94714-06020-B	BOLT, FLANGE	1
14	95401-061006-B	NUT, FLANGE	1
15	96318-06012-B	SCREW, PAN HEAD	6
16	96318-06015-B	SCREW, PAN HEAD	8
17	96414-10025-B	BOLT, FLANGE	4
18	97011-12010-B	CIRCLIP 12* 1.0	1
19	97201-152620-B	WASHER, PLATE 15.2* 25.6* 2.0	1
20	97506-12140-B	SPRING, TENSION	1

[MENU PAGE](#)

[PAGE UP](#)

[PAGE DOWN](#)

[ALL PARTS LIST](#)



# FIG 30 GUARD

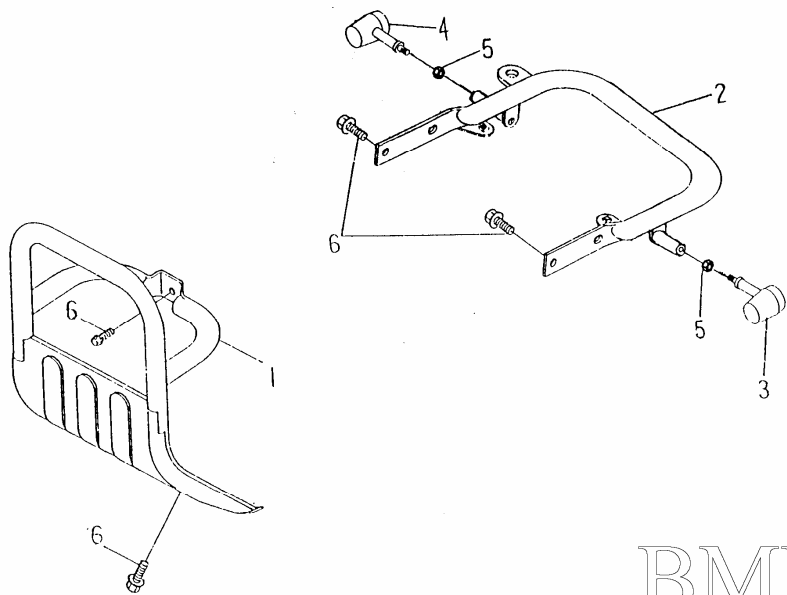


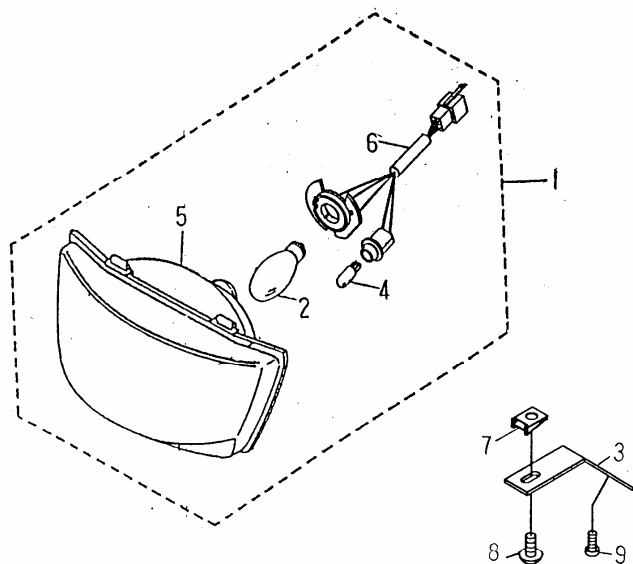
FIG.30 GUARD 保護桿

BMI

MODEL : AAM & ATG 170E

NO	PARTS NO.	PARTS NAME	QTY
1	41601-RAM-00	SHIELD, FRONT	1
2	52850-RAM-04	SHIELD, REAR	1
3	55750-RAM-00	WINKER ASS'Y, L REAR	1
4	55760-RAM-00	WINKER ASS'Y, R REAR	1
5	95201-101408-B	NUT, HEXAGON	2
6	96414-08016-B	BOLT, FLANGE	7

FIG 31 HEAD LIGHT



BMI

MODEL : AAM & ATG 170E

FIG.31 HEADLIGHT 前燈

NO	PARTS NO.	PARTS NAME	QTY
1	55300-STG-00	HEAD LIGHT ASS'Y	1
2	55314-NFF-00	BULB, HEAD LIGHT 12V/35/35W	1
3	55315-STG-00	STAY, HEAD LIGHT	1
4	55316-NGF-00	BULB, POSITION LAMP	1
5	55320-STG-00	LENS ASS'Y	1
6	55340-STG-00	SOCKET CORD ASS'Y	1
7	95101-005012	NUT, SPRING	1
8	96112-51616-K	SCREW, TAPPING	1
9	96310-04010-B	SCREW, PAN HEAD	1

FIG 32 TAIL LIGHT

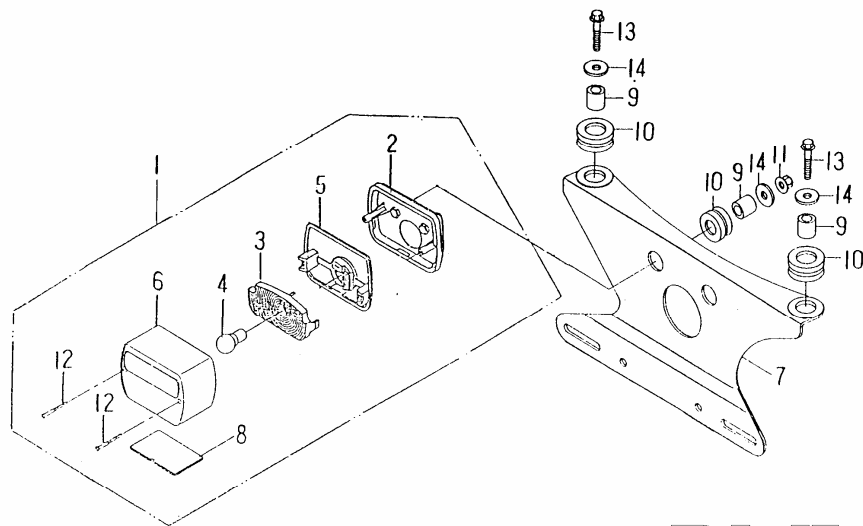


FIG.32 TAIL LIGHT 後燈

BMI  
MODEL : AAM & ATG 170E

NO	PARTS NO.	PARTS NAME	QTY
1	55700-CHP-00	TAIL LIGHT ASS'Y	1
2	55701-CHP-00	STAND, TAIL LIGHT	1
3	55713-PAF-00	BULB STAND, TAIL LIGHT	1
4	55714-PAF-00	BULB, TAIL LIGHT	1
5	55715-PAF-00	FIXING WASHER	1
6	55721-PAF-00	LENS, TAIL LIGHT	1
7	55726-RAM-00	HOLDER, TAIL LIGHT	1
8	55743-PAF-00	LENS, LICENSE LIGHT	1
9	93510-061010	COLLAR	4
10	93580-102212	GROMMET	4
11	95401-061006-B	NUT, FLANGE	2
12	96112-43818-B	SCREW, TAPPING	2
13	96414-06020-B	BOLT, FLANGE	2
14	97201-061820-B	WASHER, PLATE	4

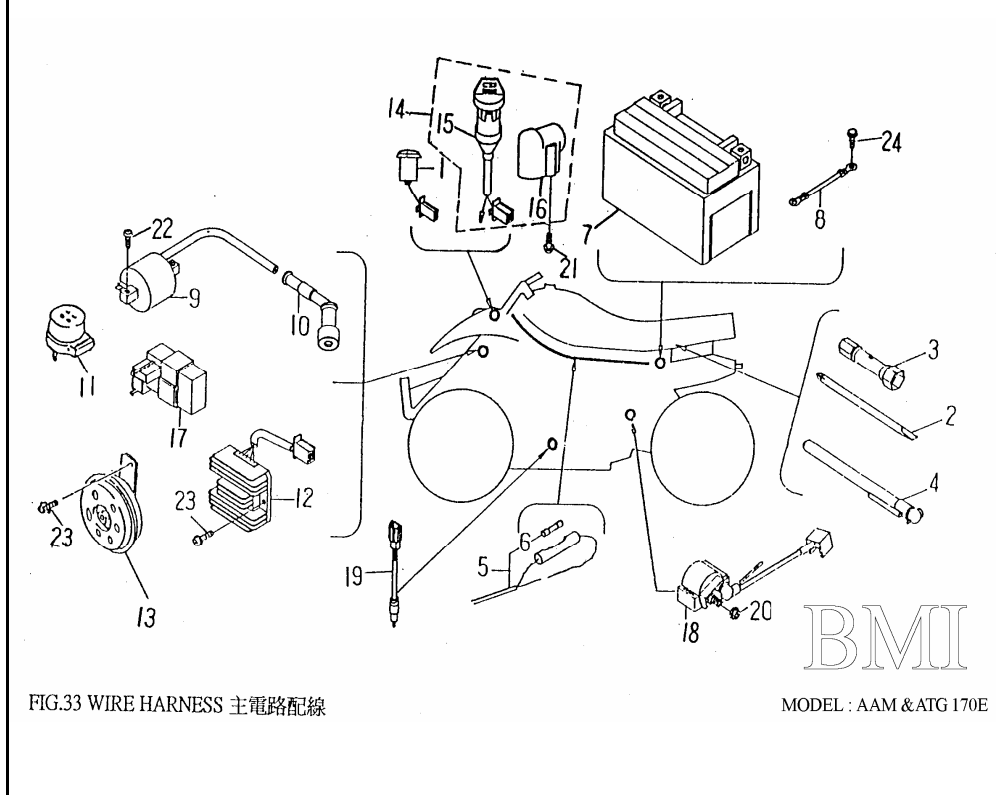
[MENU PAGE](#)

[PAGE UP](#)

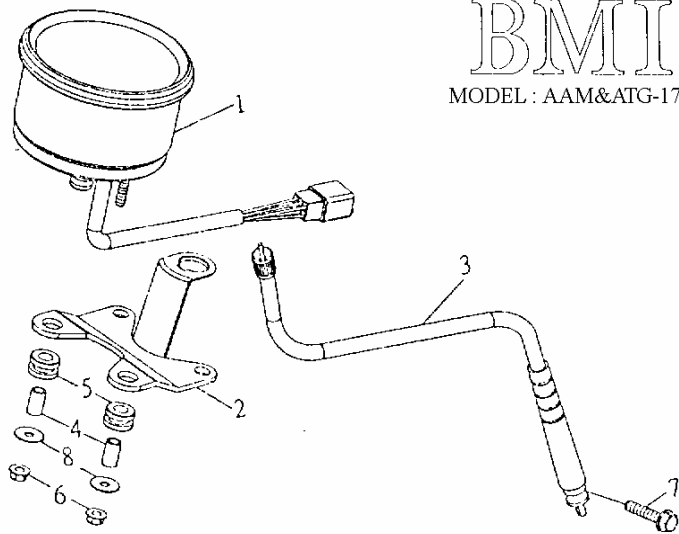
[PAGE DOWN](#)

[ALL PARTS LIST](#)

FIG 33 WIRE HARNESS



NO	PARTS NO.	PARTS NAME	QTY
1	55550-RAM-00	NEUTRAL LIGHT ASS'Y	1
2	56120-RAM-00	SCREW DRIVER	1
3	56140-RAM-00	TOOL PLUG	1
4	56190-RAM-00	GAUGE, AIR	1
5	61120-RAM-03	WIRE, HARNESS	1
6	61151-CHP-00	FUSE (15A/250V)	1
7	62100-GAT-00	BATTERY ASS'Y (YTX7A-BS)	1
8	62120-RAM-00	CABLE, EARTH	1
9	62310-ROA-00	IGNITION COIL ASS'Y	1
10	62320-CHP-00	PLUG CAP ASS'Y	1
11	62350-NAF-00	FLASHER RELAY ASSEMBLY	1
12	62360-CHP-00	RECTIFIER & REGULATOR COMP	1
13	62370-NAF-00	HORN	1
14	62500-RAM-00	KEY SET	1
15	62501-RAM-00	MAIN SWITCH ASS'Y	1
16	62503-RAM-00	LOCK COMP, STEERING HANDLE	1
17	62540-CHP-00	C.D.I UNIT ASS'Y	1
18	62550-RAM-00	STARTER RELAY SWITCH COMP	1
19	62980-CHP-00	SWITCH ASS'Y, REAR STOP	1
20	95401-061006-B	NUT, FLANGE	1
21	96310-05012-B	SCREW, PAN HEAD 5*12	2
22	96310-05016-B	SCREW, PAN HEAD 5*16	2
23	96312-08016-K	SCREW, PAN HEAD WITH WASHER	2
24	96414-06012-B	BOLT, FLANGE	1



BMI  
MODEL : AAM&ATG-170E

FIG. 34 SPEEDOMETER 速度表

NO	PARTS NO.	PARTS NAME	QTY
1	55510-RAM-01	COMPTEUR MECANIQUE	1
	55510-RAM-00	COMPTEUR DIGITAL	1
2	55516-RAM-01	HOLDER,SPEEDOMETER	1
3	61520-RAM-01	CABLE,SPEEDOMETER ASS'Y	1
4	93510-050814-B	COLLAR,SPEEDOMETER	2
5	99580-81615	GROMMET	2
6	95401-050805-B	NUT,FLANGE	2
7	96414-06020-B	BOLT,FLANGE 6*20	1
8	97201-051610	WASHER,PLATE 5.3*16*1	2

[MENU PAGE](#)

[PAGE UP](#)

[PAGE DOWN](#)

[ALL PARTS LIST](#)

**FIG 35 WARNING**

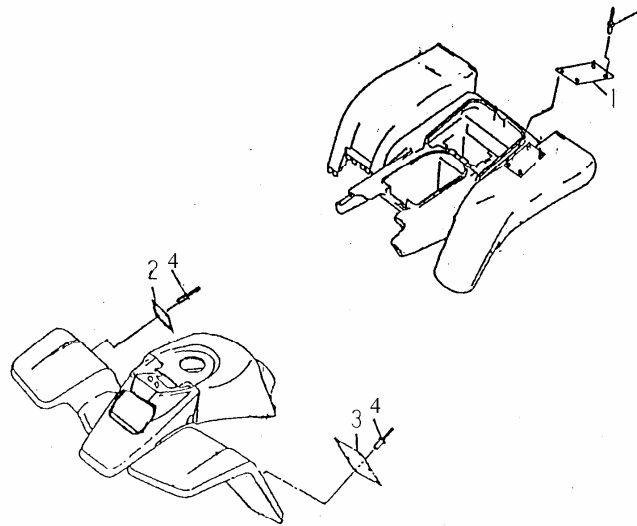


FIG.35 警告標示

BMI

MODEL : AAM & ATG 170E

NO	PARTS NO.	PARTS NAME	QTY
1	56576-AAM-01	LABEL WARNING 3 (Tire)	1
2	56578-AAM-00E	LABEL WARNING 2 (Age)	1
3	56781-AAM-01	LABEL WARNING 1 (Operation)	1
4	94320-32086	RIVET 3.2*9.6	14

[MENU PAGE](#)

[PAGE UP](#)

[PAGE DOWN](#)

[ALL PARTS LIST](#)

**FIG 36 CARRIER REAR**

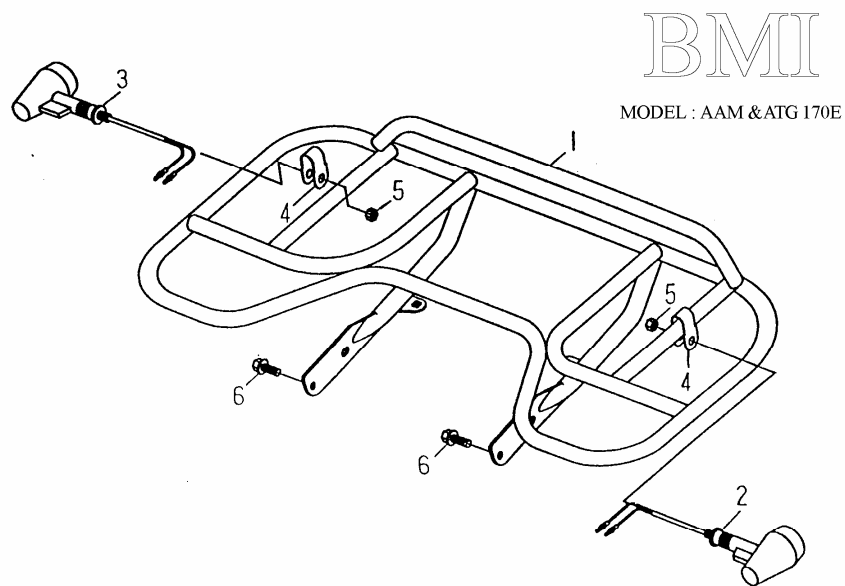


FIG.36 CARRIER,REAR 後架

NO	PARTS NO.	PARTS NAME	QTY
1	52850-RAM-03	CARRIER, FRONT	1
2	55750-RAM-00	WINKER, ASS'Y, L REAR	1
3	55760-RAM-00	WINKER, ASS'Y, R REAR	1
4	56260-RAM-00	CORD, MIRROR	2
5	95201-101408-B	NUT, HEXAGON	2
6	96414-08016-B	BOLT, FLANGE	4

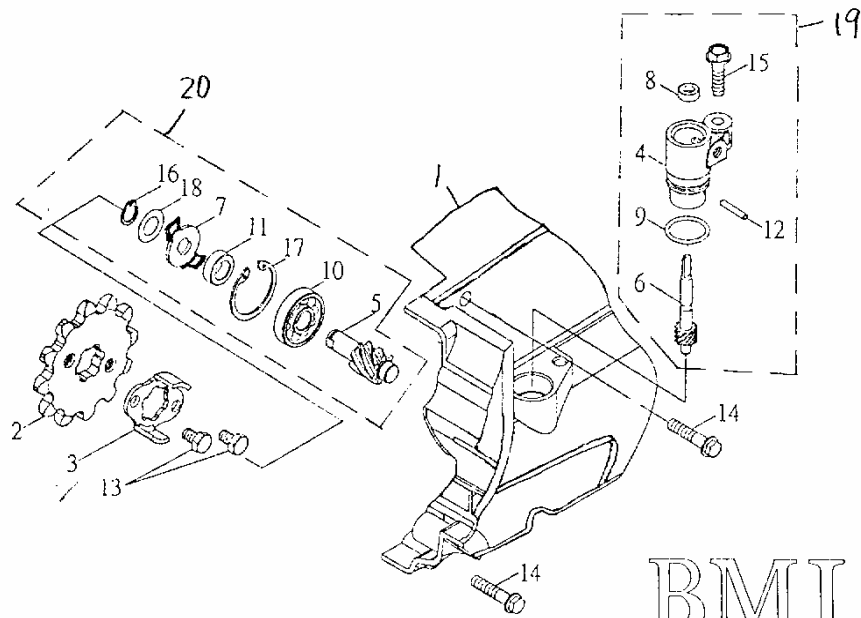


FIG 37 GEAR,SPEEDOMETER 速度表齒輪

BMI  
MODEL : AAM&ATG-170E

NO	PARTS NO.	PARTS NAME	QTY
1	15421-RAM-01	COVER,L REAR CRANKCASE	1
2	25711-RAM-00	SPROCKET DRIVE(12T)	1
3	25716-RAM-00	PLATE, FIXING	1
4	42563-GOO-00	GEAR, SPEEDOMETER BODY	1
5	45835-CBT-00	non détaillé	1
6	45838-RAM-00	non détaillé	1
7	45849-RAM-00	non détaillé	1
8	93110-06114	OIL SEAL VC 6*11*4	1
9	93210-15190	O-RING 1.5*19	1
10	93320-103009U	BEARING,RADIAL BALL 6200LUCS05/2A	1
11	93510-101706-B	COLLAR	1
12	94510-30018	PIN,DOWEL 3*18	1
13	96210-06010-B	BOLT,HEXAGON 6*10	2
14	96411-06020-B	BOLT,FLANGE 6*20	2
15	96414-06025-B	BOLT,FLANGE 6*25	1
16	97010-10010-K	CIRCLIP STW-10	1
17	97012-30012-K	CIRCLIP RTW-30	1
18	97201-101805	WASHER,PLATE 10.5*18*0.5	1
19	42560-AAM-00	GEAR,SPEEDOMETER ASS'Y	1
20	45834-AAM-00	GEAR DRIVE ASS'Y	1

[MENU PAGE](#)

[PAGE UP](#)

[PAGE DOWN](#)

[ALL PARTS LIST](#)