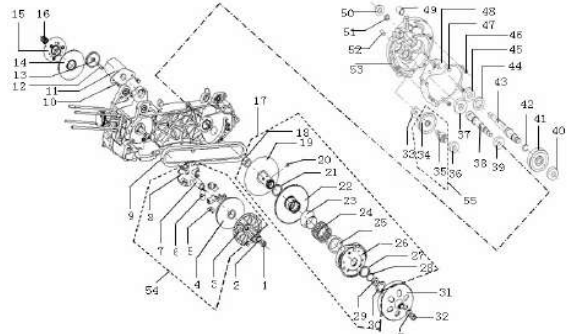


20	200083050000	WASHER,LOCATING	3	
21	200093050000	SEAL RING	2	
22	200333050000	GEAR PLATE	1	
23	200303050000	SPRING JACKET	1	
24	200133170000	SPRING	1	
25	200313050000	SPRING SEATING	1	
26	200343050000	DRIVING PLATE ASSY	1	
27	200063050000	BEARIG ,LUBRICAT	3	
28	B08000002800	BLOCK RING 28	1	
29	B12016190201	ROLL BEARING	1	
30	200123050000	NUT	1	
31	200163050000	CLUTCH PLATE ASSY	1	
32	27003305001X	NUT M12X1.25	1	
33	B12016020101	BEARING E201	1	
34	22907306003X	GEAR , MID DRIVE SHAFT	1	
35	229073060003	MID GEAR	1	
36	B12016020201	BEARING , MID	1	
37	B12016030102	BEARING E301	1	

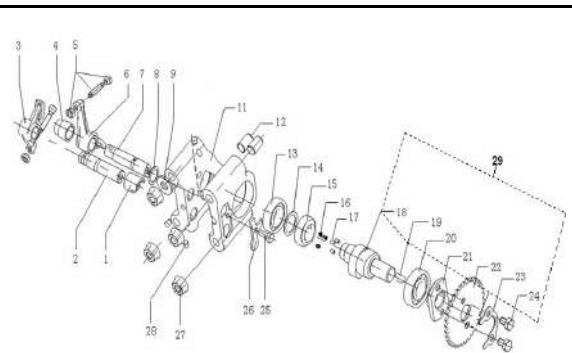
E04 TRANSMISSION ASSY

NO	CODE	DESCRIPTION	QTY.	NOTE
38	229043060003	INPUT DRIVE SHAFT	1	
39	B12016E20400	BEARING , INPUT DRIVE SHAFT	1	
40	B12016020301	BEARING , OUTPUT DRIVE SHAFT	1	
41	229093060000	GEAR , OUTPUT DRIVE SHAFT	1	
42	B080100020A0	BLOCK RING 20	1	
43	229083060002	OUTPUT DRIVE SHAFT	1	
44	100033060000	OIL SEAL	1	
45	B12016000400	BEARING E160104	1	
46	B01070604564	SCREW M6X45	4	
47	B01070605564	SCREW M6X55	3	
48	100013060010	GASKET,GEAR CHAMBER COVER	1	
49	150013180000	LOCATING SLEVEE	1	
50	B04141615000	NUT M12X1.25	1	
51	B07010001600	WASHER 16	1	
52	150023180000	LOCATING SLEVEE	1	
53	229103060000	GEAR CHAMBER COVER	1	
54	20900306001Z	FRONT CLUTCH ASSY	1	
55	220073060003	GEAR ASSY	1	



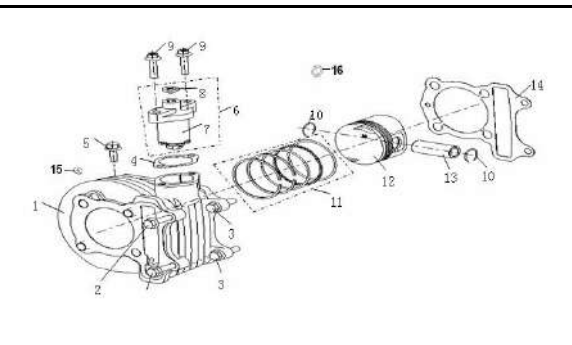
E05 CAMSHAFT ASSY

NO	CODE	DESCRIPTION	QTY.	NOTE
1	120033140000	BUSH,EXHAUST ROCKER ARM SHAFT	1	
2	129173140000	SHAFT,EXHAUST ROCKER ARM	1	
3	120053140000	ROCKER ARM, EXHAUST VALVE	1	
4	120143140000	BUSH,INLET ROCKER ARM SHAFT	1	
5	120203140000	ADJUSTING SCREW ASSY, VALVE	2	
6	129143140000	SHAFT,INLET ROCKER ARM	1	
7	129163140000	ROCKER ARM, INLET VALVE	1	
8	120073140000	GASKET,INLET ROCKER ARM	1	
9	B07030000803	WASHER 8	1	
11	129123140003	BRACKET	1	
12	150093050000	LOCATING PIN	2	
13	120183140000	BEARING	1	
14	12006305000X	GASKET,ADJUSTING	1	
15	120133140000	OUTER RING,AUTO DECOMPRESSOR	1	
16	229053050000	SPRING	3	
17	120083050000	BALL BEARING	3	
18	129073140002	CAMSHAFT	1	
19	120103050000	KEY	1	
20	120213140003	BEARING	1	
21	120013180000	BUSH	1	
22	129033140000	CHAIN WHEEL,CAMSHAFT	1	
23	120103140000	GASKET	1	
24	B01030600823	BOLT M6X9	2	
25	B01030501223	BOLT M5X12	1	
26	120063140000	LIMIT PLATE	1	
27	B04070800054	NUT M8	4	
28	120013140000	JAM	3	
29	129093180000	CAMSHAFT ASSY	1	



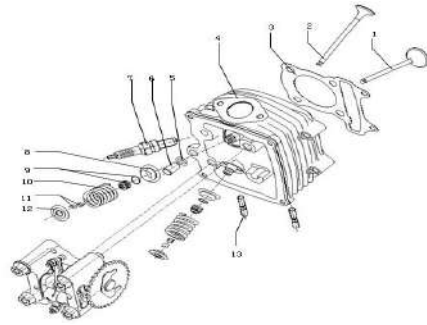
E06 CYLINDER ASSY

NO	CODE	DESCRIPTION	QTY.	NOTE
1	139014120000	CYLINDER BLOCK	1	
2	B02050603564	BOLT M6X35	2	
3	B02050602564	BOLT M6X25	2	
4	140013050010	WASHER, CHAIN ADJUSTER	1	
5	B01070601264	BOLT	1	
6	149003060000	CHAIN ADJUSTER ASSY.	1	
7	140043140000	CHAIN ADJUSTER	1	
8	14005305001X	SCREW	1	
9	B01070602264	BOLT M6X25	2	
10	179153070000	CLIP,PISTON PIN	2	
11	17001401000Z	PISTON RING SET.	1	
12	179134080000	PISTON	1	
13	179144010000	PIN,PISTON	1	
14	139024020010	GASKET,CYLINDER	1	
15	130013050000	WASHER	1	
16	210043050000	O RING 9.5*1.5	1	



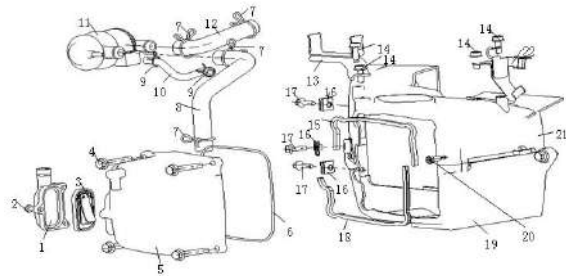
E07 CYLINDER HEAD

NO	CODE	DESCRIPTION	QTY.	NOTE
1	129183140000	VALVE,INLET	1	
2	129193140000	VALVE,EXHAUST	1	
3	109074120000	GASKET,CYLINDER HEAD	1	
4	109053140000	CYLINDER HEAD	1	
5	100053070001	O RING	1	
6	150093050000	LOCATING PIN	1	
7	299073160000	SPARK PLUG	1	
8	129213140000	VALVE SPRING HOLDER,LOWER	2	
9	120013050000	VALVE RETAINER ASSY, INLET	2	
10	129253140000	SPRING,VALVE	2	
11	129223240002	HALF CONE, VALVE	4	
12	120113140003	VALVE SPRING RETAINER,UPPER	2	
13	120073050000	DOUBLE END STUD,SHORT	2	



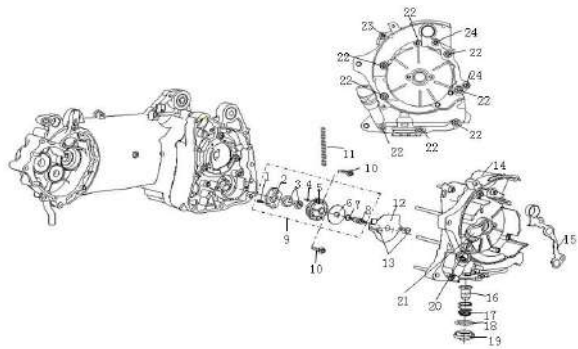
E08 FAN COVER&SHROUD ASSY

NO	CODE	DESCRIPTION	QTY.	NOTE
1	11010307001X	UNILATERALISM VALVE COVER	1	
2	B02040501423	SCREW	3	
3	119043070000	SPRING VALVE ASSY.	1	
4	B01070601864	BOLT M6x20	4	
5	109013140000	CYLINDER HEAD	1	
6	120043140003	RUBBER SEAL	1	
7	110343070000	RING 1	4	
8	350013180000	CONNECTION TUBE	1	
9	110363070000	RING 2	2	
10	110353070000	TUBE	1	
11	110133070010	CUT-OFF VALVE ASSY.	1	
12	110323070000	TUBE	1	
13	350013180000	CUT-OFF VALVE PLATE	1	
14	270083060010	SCREW	3	
15	270033140003	SEAL SHROUD UPPER	1	
16	270023060000	FIXED CLIP	4	
17	B01070601664	BOLT M6x16	3	
18	270043140003	SEAL,SHOUD LOWER	1	
19	270023180000	FAN SHROUD,LOWER	1	
20	B05144801603	SCREW ST4.8x16	1	
21	270013180000	FAN SHROUD,UPPER	1	
22	270013060020	CLIP	1	



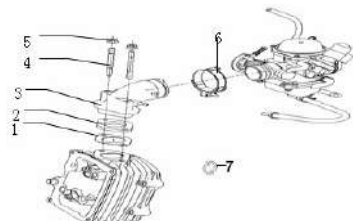
E09 CRANKCASE ,RH /

NO	CODE	DESCRIPTION	QTY.	NOTE
1	B02000301263	SCREW M3x12	1	
2	269103060000	CAP,OIL PUMP	1	
3	269043050000	ROTOR/STATOR,OIL PUMP	1	
4	260063060000	PIN	1	
5	269093060000	BODY,OIL PUMP	1	
6	269113060000	SPROCKET,OIL PUMP DRIVEN	1	
7	B08010001000	RING	1	
8	269083060000	SHAFT,OIL PUMP	1	
9	269013060000	OIL PUMP,ASSY	1	
10	B02040602523	BOLT	2	
11	269053060000	CHAIN, OIL PUMP	1	
12	15015306002X	OIL SEPARATE PLATE	1	
13	B01070601264	SCREW M6x12	2	
14	169103180000	CRANKCASE, RH	1	
15	29001318001X	A.C.G CLAMP	1	
16	150093070000	STRAINER,OIL	1	
17	160013050000	SPRING,STRAINER	1	
18	160023050000	O RING	1	
19	16004305002X	PLUG,DRAIN	1	
20	160063070000	O RING	1	
21	169183050002	GAUGE,OIL LEVER	1	
22	17001305002X	BOLT M6x110	8	
23	B01070603063	BOLT M6x40	1	
24	B01070601264	BOLT M6x12	2	



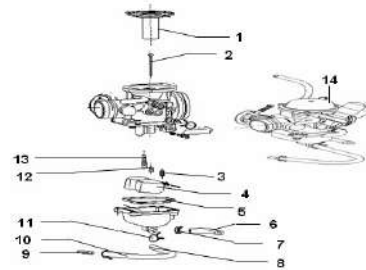
E10 VALVE RETAINER ASSY, INLET

NO	CODE	DESCRIPTION	QTY.	NOTE
1	110033140000	HEAT INSULATION PAPER GASKET	1	
2	110023140000	HEAT INSULATION GASKET	1	
3	119013140000	VALVE RETAINER ASSY, INLET	1	
4	B03000604762	BOLT M6X47	2	
5	B04070600054	NUT M6	2	
6	11002305002X	CLAMP	1	
7	B190103000A0	O RING 30*1.8	1	



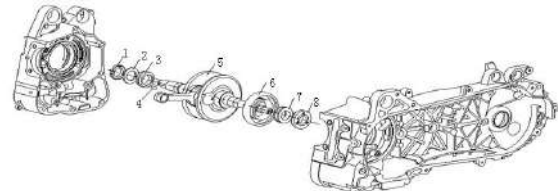
E11 CARBURETOR ASSY

NO	CODE	DESCRIPTION	QTY.	NOTE
1	224600.007000	COLUMN	1	
2	224208.015000	NEEDLE ,jet	1	
3	224602.002000	NEEDLE VALUE ASSY	1	
4	224112.004000	FLOAT	1	
5	224416.015000	SEAL	1	
6	224814.001000	HOSE	1	
7	224815.001000	CLIP , overflow hose	2	
8	224219.003000	SPRING	1	
9	224220.003000	STOPPER	1	
10	224415.014000	RUBBER	1	
11	224218.007000	CLIP	2	
12	224204.011000	JET , main	1	
13	224203.012000	JET	1	
14	339004120000	CARBURETOR	1	



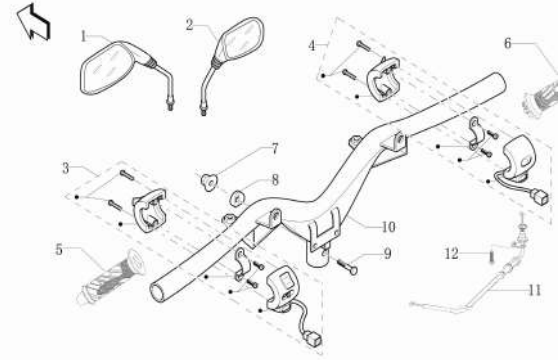
E12 CRANKSHAFT&CONROD ASSY

NO	CODE	DESCRIPTION	QTY.	NOTE
1	22006305001X	NUT_LOCK	1	
2	260013060000	WASHER	1	
3	269113060000	SPROKET,OIL PUMP DRIVE	1	
4	170043060000	KEY	1	
5	179014120000	PISTON ROD SET	1	
6	170133060000	BEARING	1	
7	12901306001X	SPROKET,CAM CHAIN	1	
8	249023060000	GEAR,STARTER DRIVEN	1	



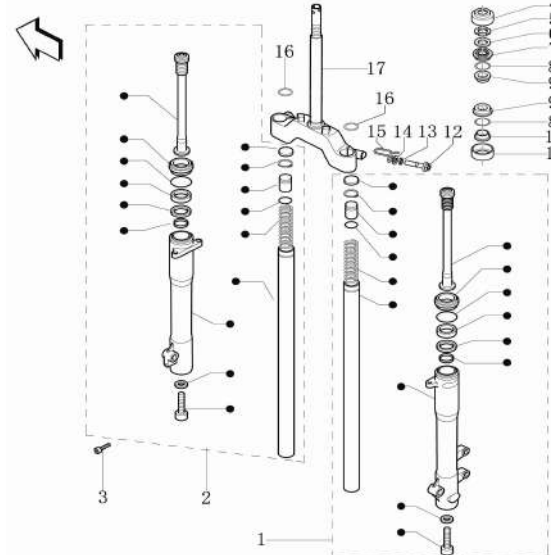
STEERING

NO	CODE	DESCRIPTION	QTY.
1	40460N140000	BACK MIRROR ASSY., LH.	1
2	40470N140000	BACK MIRROR ASSY., RH.	1
3	40500N140000	LEFT SWITCH ASSY	1
4	40600N140001	RIGHT SWITCH ASSY	1
5	40001B920000	GRIP,LEFT	1
6	40210B920000	TUBE,RIGHT GRIP	1
7	B04171012555	NUT M10×1.25	1
8	40124N140000	STOPPER	1
9	B01591005565	BOLT M10×1.25×55	1
10	40100N140000	HANDLE BAR	1
11	40300T450000	CABLE,THROTTLE	1
12	B02000501025	BOLT M5×10	1



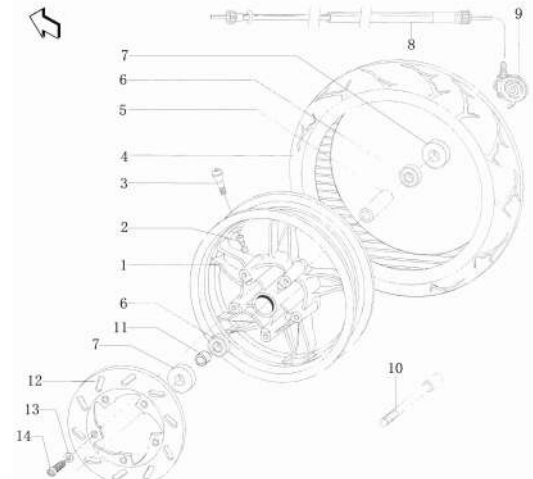
FRONT FORK

NO	CODE	DESCRIPTION	QTY.
1	43200N140000	ABSORBER LEFT	1
2	43300N140000	ABSORBER RIGHT	1
3	B02050602065	BOLT M6×20	1
4	43005N140000	DUSTPROOF COVER	1
5	43009N140000	NUT	1
6	43007N140000	WASHER	1
7	43001N140000	BALL RACE	1
8	43130B450000	STEEL BALL ASSY	2
9	43003N140000	BALL RACE	2
10	43004N140000	BALL RACE	1
11	43022N140000	HANDLE PRESSURIZE COVER	1
12	B01091004565	BOLT M10×45	2
13	B07000001005	WASHER φ10	2
14	B07030001005	WASHER φ10	2
15	40022N140000	CLIP	2
16	43215N140000	LIMIT SPRING	2
17	43100N140000	STEM, STEERING	1



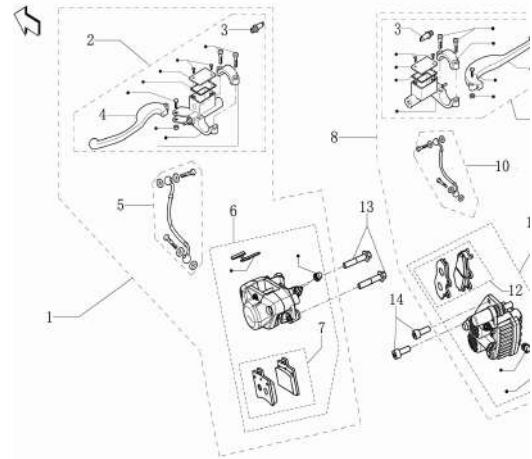
FRONT WHEEL

NO	CODE	DESCRIPTION	QTY.
1	44101N140000	FRONT WHELL	1
2	B1404Z2011A0	SPACER	1
3	B1403Z201100	SPACER	1
4	B140107D1300	TIRE , FRONT 120/70 13	1
5	44600N140000	MID SPACER , front wheel	1
6	B12016020200	BEARING 6202	2
7	44300B910000	OIL SEAL 35×22×7	2
8	72900N140000	CABLE ASSY,SPEEDOMETER	1
9	44200N140000	SEAT , GEAR	1
10	44004N140000	AXIL,front wheel	1
11	44005N140000	SPACER	1
12	45033N140000	DISK,FRONT BRAKE	1
13	44018N140000	WASHER	5
14	B02180602065	BOLT M6×20	5



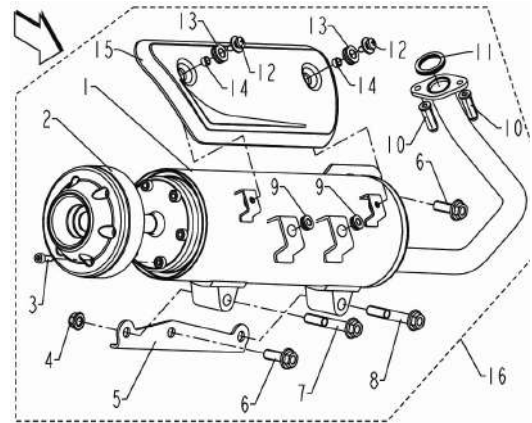
DISC BRAKE ASSY

NO	CODE	DESCRIPTION	QTY.
1	55000N140000	DISK BRAKE ASSY	1
2	55400N140000	REAR CYLINDER COMP.	1
3	45300N140000	STOP SWITCH ASSY.	2
4	55022N140000	BRACKET,HANDLEBER	2
5	55200N140000	CABLE ASSY,REAR BRAKE	1
6	55500N140000	REAR CALIPER ASSY	1
7	55120N140000	PLATE,FRICTION ASSY	1
8	45000N140000	DISK BRAKE ASSY	1
9	45400N140000	FRONT CYLINDER COMP.	1
10	45200N140000	CABLE ASSY,FRONT BRAKE	1
11	45500N140000	FRONT CALIPER ASSY	1
12	45120N140000	PLATE,FRICTION ASSY	1
13	B01090804565	BOLT M8×45	2
14	B02050802265	BOLT M8×22	2



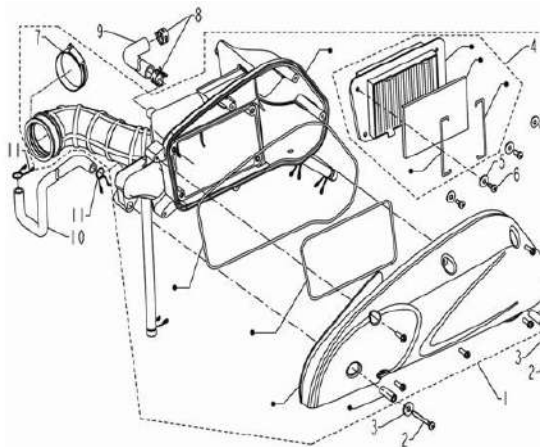
MUFFLER

NO	CODE	DESCRIPTION	QTY.
1	47100K310000	JOINTING ASSY , MUFFLER	1
2	47038T430000	MUFFLER CAP	1
3	B02050601264	SCREW M6×12	6
4	B04171012455	NUT M10×1.25	1
5	47042N140000	PLATE	1
6	B01591002565	BOLT M10×1.25×25	2
7	B01591005565	BOLT M10×1.25×55	1
8	B01591007065	BOLT M10×1.25×70	1
9	47142T430000	MUFFLER GUARD PLATE RUBBER JACKET	2
10	47006T020000	SPACER	2
11	47800K010000	PLATE	1
12	08017T090000	BOLT M6×20	2
13	47028G220000	SPACER , RUBBER	2
14	47033N140000	SPACER	2
15	47023N14BY00	PROTECTOR,MUFFER(BLACK)	1



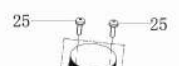
AIR CLEANER

NO	CODE	DESCRIPTION	QTY.
1	49000T450000	AIR CLEANER	1
2	B02000604565	BOLT M6×45	2
3	B07020000605	WASHER φ6	2
4	49200T450000	FLITER , WEB	1
5	B07020000505	WASHER φ5	4
6	B02000501265	BOLT M5×12	4
7	49350T450000	CLIP	1
8	49804J000000	SPRING ,LOCK φ17.5	2
9	49801T450000	PIPE	1
10	49612T450000	PIPE	1
11	50309N020000	SPRING ,LOCK φ13	2



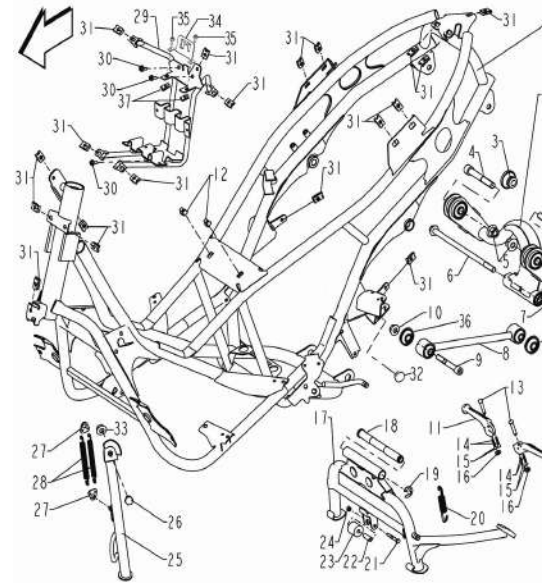
FUEL TANK

NO	CODE	DESCRIPTION	QTY.
1	B05074201305	SCREW ST4.2×13	1
2	50103N140000	OIL LEVEL SENSOR FIXED BOARD	1
3	50800N140000	GAUGE ASSY, FUEL LEVEL	1



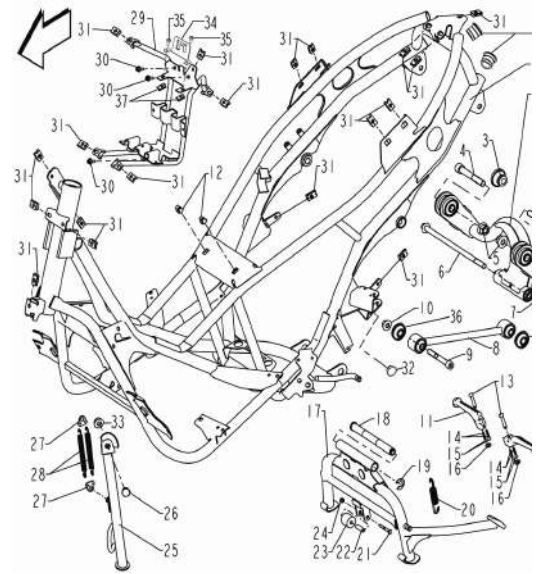
FRAME BODY

NO	CODE	DESCRIPTION	QTY.	
1	57100T450001	JOINTING ASSY., FRAME	1	
2	58300T450000	E/G HANGER COMP.	1	
3	58353T100000	CAP, DECORATION	2	
4	B02551208265	BOLT M12×1.25×82	2	
5	B04171212555	NUT M12×1.25	2	
6	58301T450010	(E/G HANGER) BOLT	1	
7	B04171012555	NUT M12×1.25	1	
8	58330T450001	E/G HANGER COMP.	1	
9	B02551006065	BOLT M12×1.25×60	1	
10	B04171012555	NUT M10X1.25	1	
11	58204N140000	REAR FOOTREST	2	
12	65624N140000	NUT M6	2	
13	58206N140000	BOLT	2	
14	58262N140000	SPRING	4	
15	B06010200000	STEEL BALL 1/4"	4	
16	B0882000050A	RING	2	TNT1130
17	58520T450000	MAIN STAND ASSY.	1	
18	57501N140000	AXLE , MAIN STAND	1	
19	B08030001201	RING Φ12	1	
20	58510N140000	SPRING	1	



FRAME BODY

NO	CODE	DESCRIPTION	QTY.	
21	58591N140000	BOLT M5×38	1	
22	58509N140000	SPACER	1	
23	58507N140000	CUSHION	1	
24	B04070500055	NUT M5	1	
25	58700N140000	SINGLE CRUTCH ASSM	1	
26	57005N140000	BOLT	1	
27	58709N140000	PLATE	2	
28	57003N140000	SPRING	2	
29	58750T450000	E/G BATTERY STAND ASSY	1	
30	B01090601265	BOLT M6×12	3	
31	65803S010000	NUT M6	19	TNT1130
32	57022N140000	CUSHION	1	
33	B04070800055	NUT M8	1	
34	57089N140000	FUSE BOX FIXED BOLSTER	1	
35	B02060501225	BOLT M5×12	2	
36	08021K100002	WASHER	2	
37	65623G120000	NUT M5	2	QJ100-4
38	57015N140000	PLUG	2	



REAR SHOCK ABSORBER ASSY.

NO	CODE	DESCRIPTION	QTY.	
1	63800T450010	RR. ABSORBER COMP.,(BLACK)	2	
2	B04171012555	NUT 10×1.25	2	
3	B01591004065	BOLT 10×1.25×40	3	
4	B01591005065	BOLT 10×1.25×50	1	
5	B01090805065	BOLT 8×50	2	
6	63230T45HK00	RIGHT PLATE.REAR SHOCK ABSORBER.	1	
7	63210T45HK00	LEFT PLATE.REAR SHOCK ABSORBER.	1	
8	B01090806065	BOLT 8×60	2	
9	B04170800054	NUT M8	4	

