



USER'S MANUAL
SCOOTER WITH AUXILIARY ENGINE

Blatino
 Scooter





EC Declaration Of Conformity

Manufacturer: Blata, s r.o.
Address: Prazska 9
678 01, Blansko
Czech Republic

Product: Scooter with auxiliary engine
Model: BLATINO
Derived types: BLATINO W/KIT
BLATINO SMALL

The undersigned hereby declares, on behalf of BLATA, s.r.o., that the above-referenced product, to which this declaration relates, is in conformity with the provisions of:

Council Directive 98/37/EC of 22 June 1998 on the approximation of the laws of the Member States relating to machinery and its amending directives

Council Directive 89/336/EEC of 3 May 1989 on the approximation of the laws of the Member States relating to Electromagnetic Compatibility (EMC) and its amending directives

and that the product has been designed to comply with the relevant sections of the below referenced specifications:

ČSN EN ISO 12100-1:2004 (EN ISO 12100-1:2003)
ČSN EN ISO 12100-2:2004 (EN ISO 12100-2:2003)
ČSN EN 294:1993 (EN 294:1992)
ČSN EN 811:1998 (EN 811:1996)
ČSN EN 953:1998 (EN 953:1997)
ČSN EN 563:1996 including amendment A1:2000 (EN 563:1994)
ČSN EN 1050:2001 (EN 1050:1996)
ECE Regulation No. 010-02

BLANSKO 1.5.2006



Pavel Blata
Managing Director



SAFETY WARNING

Always pay attention to the instructions and safety warnings below

This manual contains important safety information and instructions which should be read carefully before operating the vehicle. For your own safety and the safety of others follow these rules.

Neither manufacturer nor distributor is responsible for injuries caused by unsafe and improper use of the vehicle.



This vehicle is not allowed to be used on public roads!



Unsafe and careless use of the vehicle can result in serious injuries. The driver can minimize the potential risks by wearing safety equipment. The driver must wear a safety helmet, goggles, gloves, elbow pads, kneepads, and firm footwear. Avoid rough surfaces and obstacles. Always drive with both hands on the handlebars.



Always inspect the bike before each ride (refer to the article 'INSPECTION AND MAINTENANCE'). Failure to inspect and maintain your bike properly increases the risk of an accident or damage to the vehicle.



Fuel and fuel vapour are highly toxic and flammable. Always be careful when handling fuel – it can burn or poison you.

- stop the engine and turn off the fuel tap, keep naked flames and sparks away from your bike.
- do not smoke near your bike.
- refuel only outdoors in a well ventilated space
- clean up any excess fuel immediately
- keep children and pets away



Always ride within the limits of vehicle/ rider and weather conditions to avoid unnecessary accidents and injuries.



Check-ups
Shut the engine off when performing maintenance check-ups otherwise You could be severely injured if your hands or clothing get caught by moving parts.



Make sure the engine and exhaust are cold before performing any inspection of this machine



Riding with a chain in poor condition or improperly adjusted can lead to serious injury. Always, Inspect, Adjust and Maintain the drive chain properly before each ride.



Failure to inspect and properly maintain the brakes increases the risk of having an accident. Before each ride check the brake cables and the brakes efficiency.



Riding with worn brake pads can reduce the braking performance and cause an accident. Check and replace brake pads according to the instructions in this manual.



Using worn, improperly inflated, or incorrect tyres will reduce stability and can cause an accident.

DISPOSAL OF UNUSABLE PRODUCT

Unusable product become a waste and it's desposal should be in accordance with the law and any applicable local regulations. Don't throw this product to municipal waste.

SCOOTER-BLATINO

SERVICE MANUAL FOR USE AND MAINTENANCE AND SPARE PARTS LIST

For your own safety and the safety of others obey the following recommendations in order to use your SCOOTER in the most convenient and correct way. Read the instructions very carefully and follow them before riding the SCOOTER.

<u>CONTENTS:</u>	PAGE
SAFETY	2
TECHNICAL DATA	2
SETTING UP THE SCOOTER BEFORE A RIDE	3
ENGINE STARTING Fig. 1	3
RIDING	4
SERVICE INSTRUCTIONS	4
BOLTS AND NUTS	4
AIR FILTER	4
CLUTCH	4
BRAKE ADJUSTMENT - Fig. 2.....	5
REPLACEMENT OF BRAKE PADS	5
CHAIN ADJUSTMENT AND SERVICE – Fig. 3	6
TIRE PRESSURE	6
STORAGE AND CUT OFF PERIOD	6
SCOOTER BLATINO Fig. 4	7,8
STRUCTURE OF ENGINE – Fig.5	9
CARBURETOR - Fig. 6	10
FRONT AND REAR BRAKES - Fig. 7	11
LIST OF SPARE PARTS	12,13
GUARANTEE LIST	14
ACCESSORIES	15

SAFETY

This vehicle does not conform to Federal Motor Vehicle Safety Standards and is not intended for operation on public streets, roads or highways. Serious injuries can result from the unsafe operation of this vehicle. Wearing the safety equipment can prevent the assumed risks and injuries. Safety helmet, goggles, elbow pads, kneepads, gloves and appropriate shoes must be worn. Do not drive this vehicle in traffic, or on wet, frozen or oily surfaces. Avoid uneven surfaces and obstacles. Drive with two hands on the handlebars.

TECHNICAL DATA

ENGINE:	TWO STROKEAIR COOLED CYLINDER CAPACITY 27.00 cc MAX. POWER 1,4 kW at 7800 rpm MAX. TORQUE 1,92 Nm at 6600 rpm IGNITION.....ELECTRONIC CARBURETORWALBRO with diaphragm STARTINGMANUAL CLUTCH.....CENTRIFUGAL, FRICTION TRANSMISSION BY CHAIN ON THE REAR WHEEL
FRAME:	WELDEDOF HIGH-STRENGHT STEEL TUBES HANDLEBAR..... OF DURALUMIN, FOLDABLE
BODY:FIBERGLASS REINFORCED PLASTIC WITH ANTIVIBRATION MASS AND ANTISLIP SURFACE
BRAKES:	FRONT WHEEL MECHANICAL DISC BRAKES REAR WHEEL MECHANICAL DISC BRAKES
WHEELS:	FRONT RIMS OF LIGHT ALLOY 4"- 51 REAR RIMS. OF LIGHT ALLOY 4"-51
TIRE SIZE:	FRONT 2.80 - 4" REAR 2.80 - 4"
FUEL:MIXTURE OF PETROL 91 OR HIGHER OCTANE + 2 STROKE SYNTHETIC OIL IN THE RATIO 50:1 FUEL TANK CAPACITY1,4 L = 0,369 gal. FUEL CONSUMPTIONcca 1l / 40 km = 0,01 gal/ 1 mile
SPEED:35 km/ h = 21,7 MPH
MAX. LOAD: 90 kg = 198 Lb
WEIGHT:15 kg = 33 Lb BLATINO KIT 16,5kg = 36,3 Lb
BASIC DIMENSIONS:	LENGHT.....40,7" (1035 mm) WIDTH.....16,5 " (418 mm) HEIGHT42,5" (1080 mm) FOLDED HEIGHT17 ,7" (450 mm)

SETTING UP THE SCOOTER BEFORE A RIDE

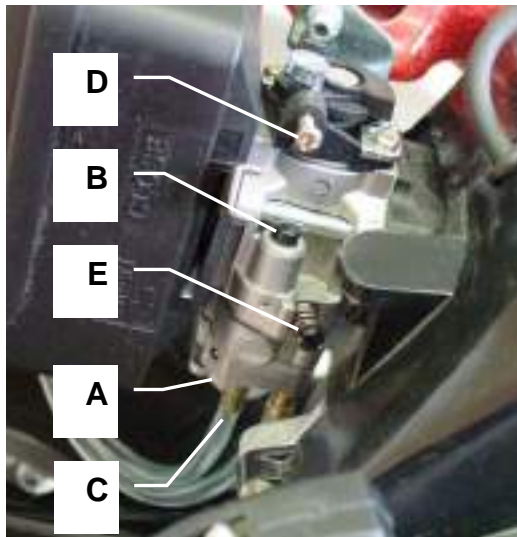
Make sure that all of the bolts and nuts are properly tightened, especially before the first ride. The SCOOTER is easily portable when the handlebars are in the folded position and locked with pin.

To put the SCOOTER into the drive position:

- unlock the handlebar pin and place the handlebars in the vertical position
- lock the handlebars with movable tube in down direction up to lower handlebars

To put the SCOOTER into the drive position with seat kit (follow step 1 and 2) plus insert the seat tube into the seat hole in rear fender so the tube is in the holder and is protected against mechanical movement. The seat is adjustable by unscrewing the attachment collar.

Fill the tank with fuel mixture, which should be a mixture of petrol 91 or higher Octane and 2-stroke synthetic oil in a ratio of 50:1 (for break-in 30:1). The period of break-in is until usage of 1.5 gallon of fuel mixture. Mix the petrol and oil very thoroughly before putting it into the fuel tank. Always turn off the engine to re-fuel it. Keep away from open flames.



ENGINE STARTING

- A – primer fuel button
- B – starter button (starter carburetor)
- C – fuel outlet
- D – idling speed adjusting screw
- E – max. revolutions adjusting screw

Fig. 1

Instructions for starting up the engine:

- Approach the SCOOTER from the left side (in the forward direction)
- Hold twistgrip with left hand
- Press down on deckboard with left foot
- Hold pull-start with right hand

Starting up a cold engine: only slightly, or not at all open twistgrip. Press 5 to 6 times button “A” until the fuel runs through the fuel outlet “C” without bubbles. Press black button “B” once.

Firmly pull 1 to 4 times the pull-start (never pull the pull-start all the way out). If the engine does not start repeat the operations. When the engine starts up, let it run for about a minute before riding.

Starting up a warm engine: the above-mentioned operations are not necessary, just pull the pull-start to start the engine. If it is necessary rotate the twistgrip. During the break-in period do not use the full power of the engine. We do not recommend running the engine in max. revolutions without any load.

RIDING

After starting up the engine place one foot on the deck board and slightly rotate the twistgrip. In the moment when the SCOOTER begins to move forward place the other foot on the deck board, too. To stop or slow down rotate the gas lever backward and slow down, following these steps –

- pull with left hand the rear brake lever to slow down or stop
- slightly pull with right hand the front brake only to slow down

Do not brake abruptly with front brake as it can cause a CRASH (the brakes are very effective). Pressing the red button on the handlebars shuts down the engine.

To keep the SCOOTER quiet and safe do not drive with wide open throttle. Reasonable operations with the throttle lower the fuel consumption and noisiness without much speed reduction. Drive safely and always hold the handlebars with both hands .

SERVICE INSTRUCTIONS

The following service instructions should be performed periodically to keep the SCOOTER in fail-safe conditions.

Bolts and Nuts:

The bolts and nuts must be checked and tightened up again after every 25 hours of running time.

Air Filter:

The air filter must be checked and cleaned if needed after every 50 hours of running time. If the SCOOTER is used in a dusty environment the air filter must be checked and cleaned more often.

Instructions for dismantling the air filter:

The backside of the air filter can be dismantled after unlocking the interlock placed at the topside of the filter. Take out the filter elements and check for contamination. Contaminated filter elements should be carefully washed with detergent and dried thoroughly. The re-installation is made in the reverse order of the dismantling instructions.

Clutch:

The thickness of the clutch-lining shoe must be checked after every 100 hours of driving. The thickness cannot be less than 1 mm (0,039 in). The engine must be removed from the frame during the clutch control.

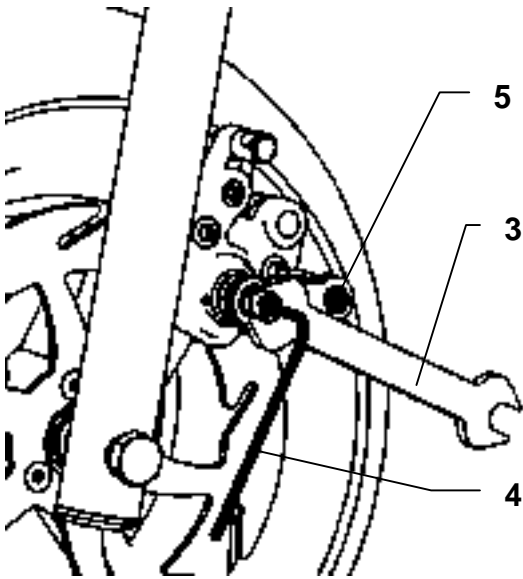
Instructions for dismantling the engine:

The first step is to dismantle the fuel tank and disconnect the fuel pipes.

Disconnect the gas cable from the carburetor and unscrew the four bolts on the clutch housing. The engine must be removed in the direction away from the clutch housing. The clutch housing will remain on the frame. Second step is the control of the clutch lining – the thickness cannot be less than 1 mm (0,039 in). In case the jaws (shoe) of the clutch must be changed the clutch spring must be changed, too.

The installation is made in the reverse order of the dismantling instructions. Check the connections of the fuel pipes to the carburetor.

ADJUSTING THE BRAKES



Small incremental brake adjustment :

Free play at the handlebar lever is effected by turning the knurled end on the cable adjuster. This will allow the lever to be set at the nominal to $\frac{1}{4}$ inch of free lever movement.

Basic brake adjusting:

Screw in the knurled cable adjuster at the brake lever so the cable is in it's most slack starting position.. At the caliper, loosen the nut, No. 3 and tighten the adjustable bolt No. 4, so the wheel cannot turn. Back off bolt No. 4 about $\frac{1}{4}$ to $\frac{1}{2}$ of a turn and fix it with lock nut No. 3. **Do not use the cable retainer No. 5 for adjusting the brakes!**

BRAKE PADS REPLACEMENT: FIG.7

At first, screw in the knurled cable adjuster at the brake lever on the handlebars. Unscrew two screws M5-914.003.01 that hold the brake body on fork and shift out the brake backwards. Take out from brake body two distance columns and two columns with coil. **Do not loosen the cable retainer!** Unscrew screws M6-914.010.01 and separate both halves of brake body and shift the worn-out brake plates out. Into the part with operating mechanism slide the brake plate with pin bore and unscrew completely the adjusting screw. Force on carefully the brake plate into the opposite piece. Before reassembly clean the whole brake. Assembly follows in reverse sequence.

Carburettor:

After the engine has been run in, sometimes the carburettor has to be adjusted. We suggest you have this operation done by a qualified service shop. For those who believe they are able to do it themselves, this is the procedure you must follow:

The setting is done with the rear wheel lifted and the engine running. Let the engine run at full speed by turning the gas grip and then by turning the adjusting screw (Fig. 1 – adjusting screw “E”). Set (tune) the engine to the highest possible speed and then turn the gas grip back.

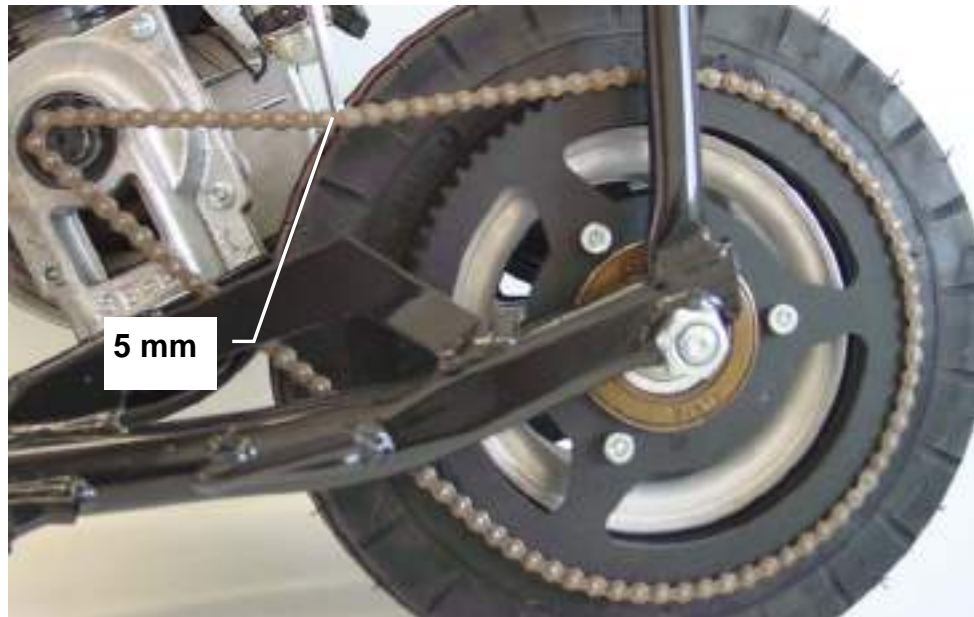
Set idling speed to between 3000 and 3100 rpm by turning screw “D” – see Fig. 1. The carburettor is a very fine piece of equipment and must be kept clean.

Service and Chain Adjusting:

The chain adjustment can be seen on the Fig. 3. Unscrewing three bolts M 6 – 914.007.01, which hold the engine to the frame from the bottom side of the SCOOTER, and moving the engine into the front can increase the chain tension. Check if the pinion is not orientated against the chain. When the chain is adjusted for 5 mm (1/4 inch) play tighten up the bolts.

Regular lubrication of the chain increases its lifetime and protects from noisiness. It is necessary to lubricate the chain after every engine wash or ride in the rain. It is recommended to use special spray oil for chains.

Fig. 3



Tire Pressure:

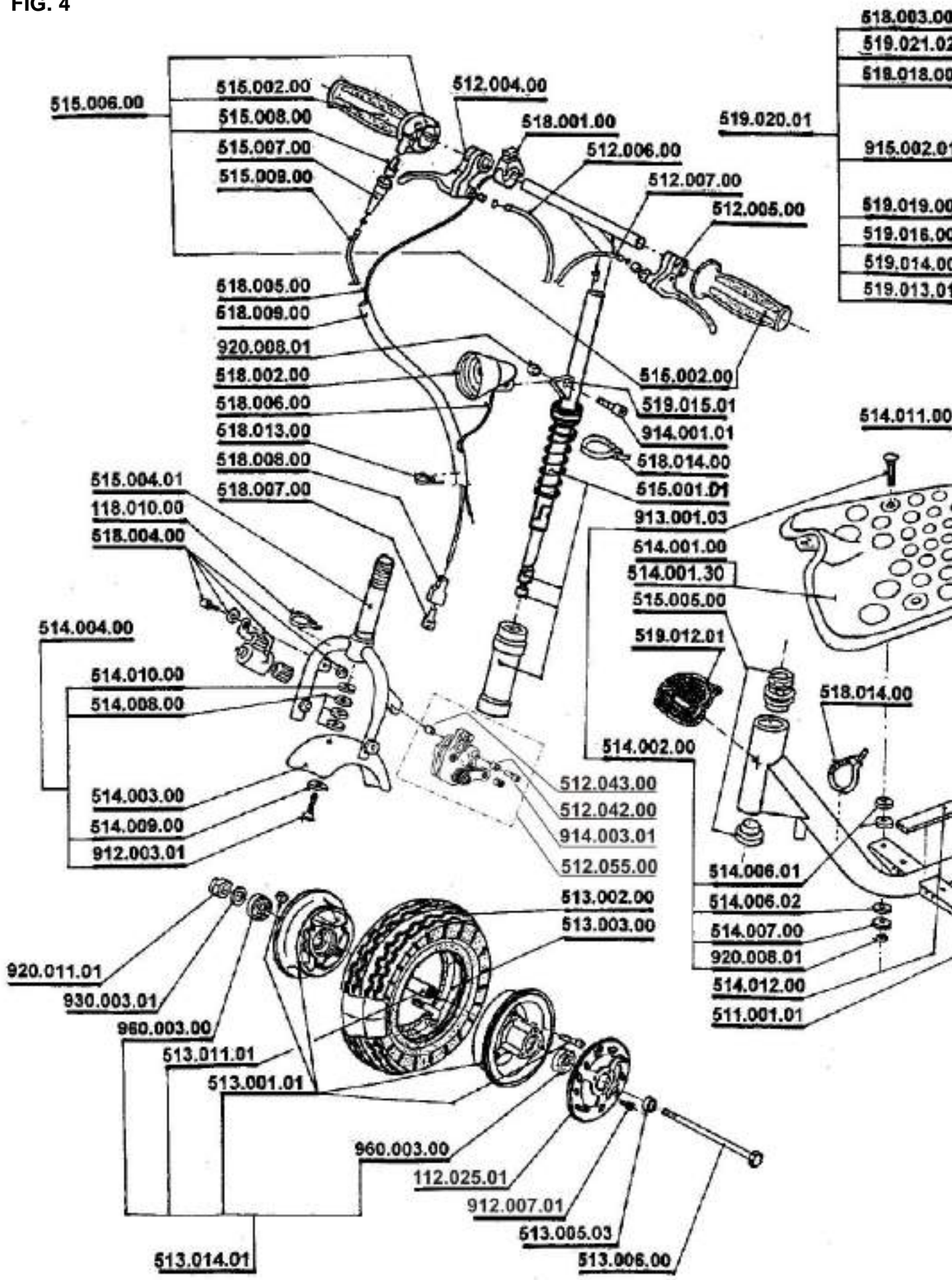
The general tire pressure depends on the weight of a driver and the character of the road. The average pressure is between 160 – 210 kPa (23 – 30 PSI). The higher rates are recommended for heavier drivers and the smoothest roads.

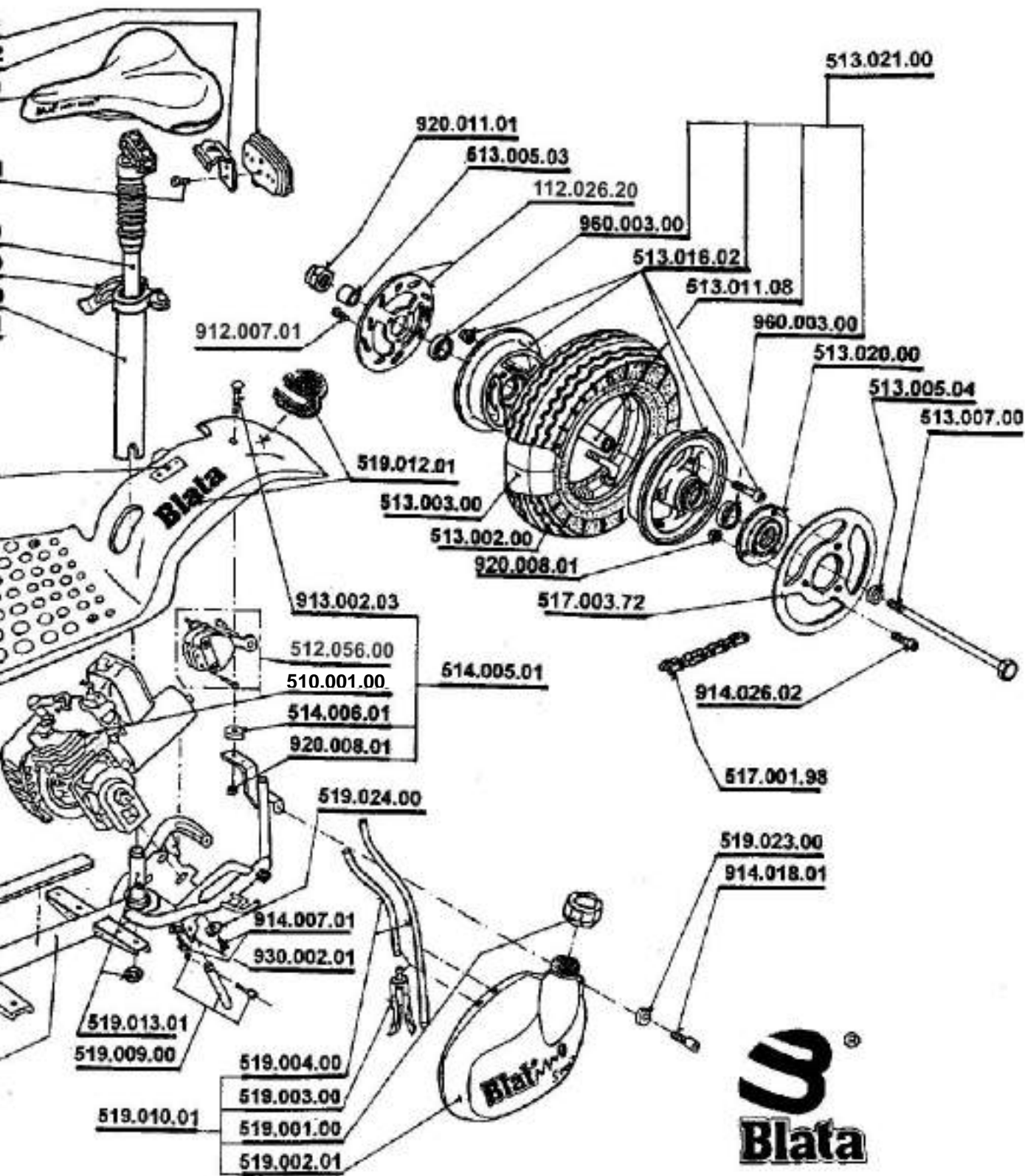
STORAGE AND CUT OFF PERIOD

For the storage period the fuel evaporation will occur. The fuel evaporation can cause malfunction of membrane pump. For this reason it is necessary once a month to refill the fuel into the fuel tank and pump it with the button “A” (Fig. 1) into the carburetor and /or restart the engine, too.

The SCOOTER must be stored in a dry place and protected from dust.

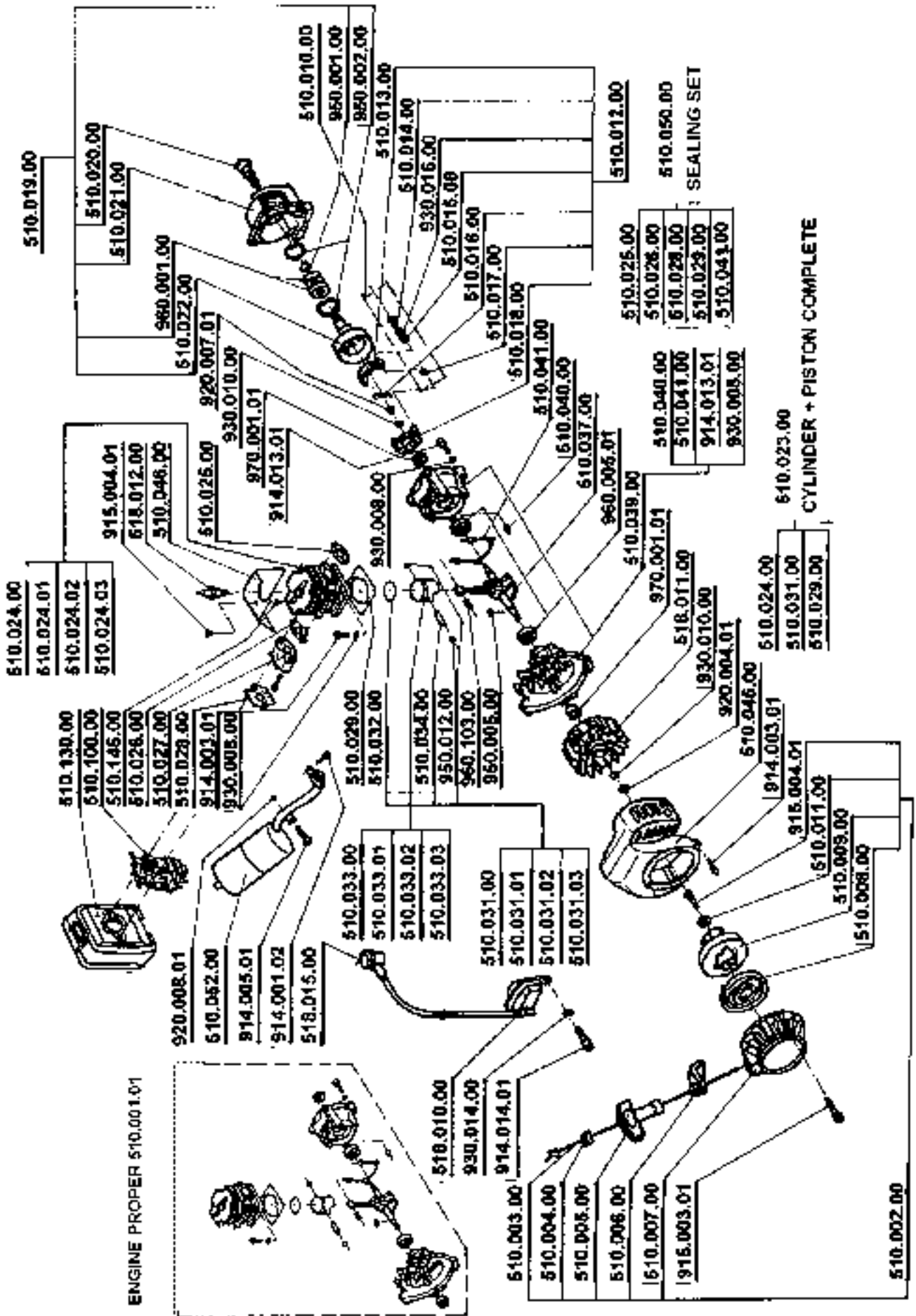
FIG. 4



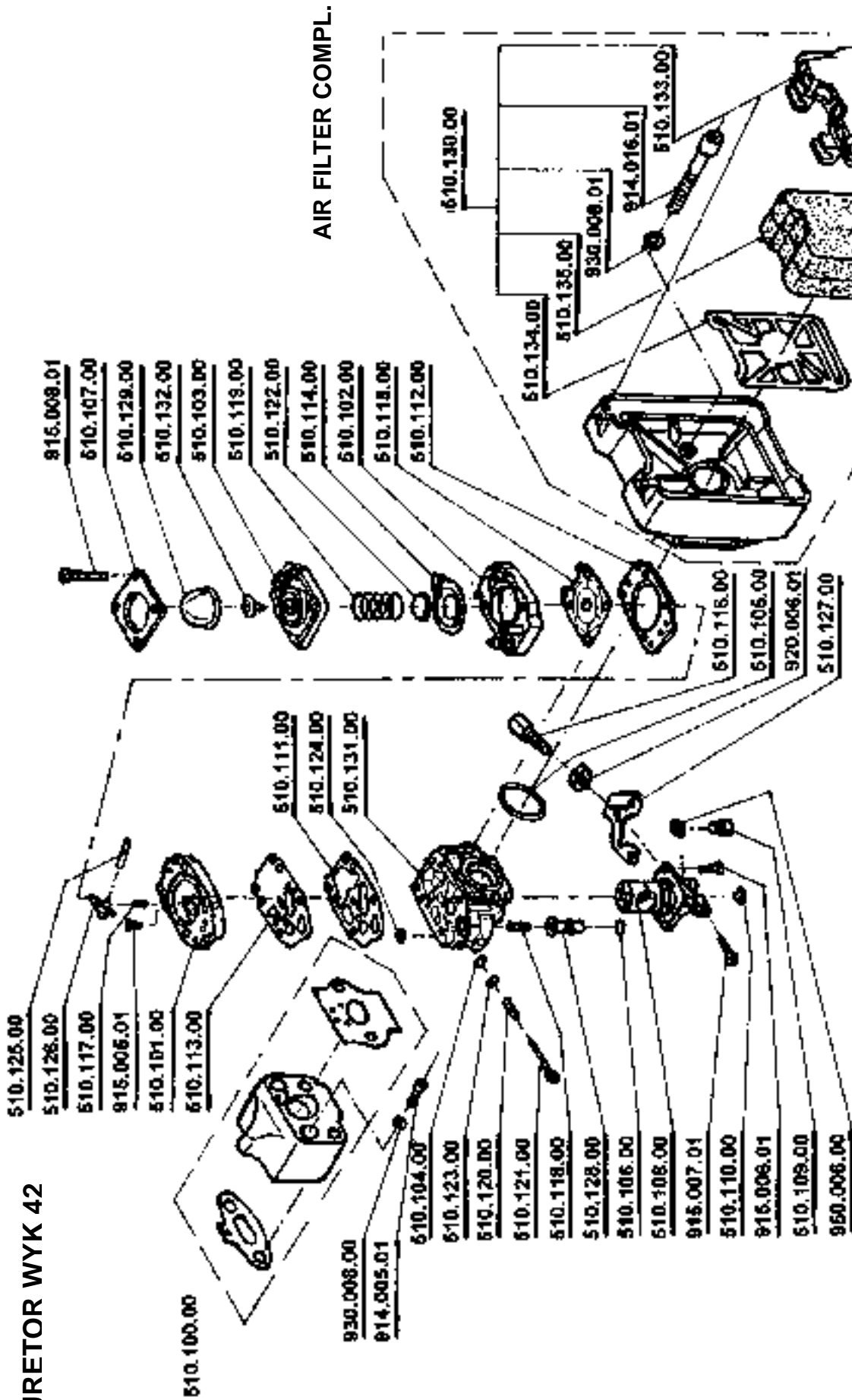


Blatino
Scooter

510.001.00 – ENGINE COMPLETE



CARBURETOR WYK 42



AIR FILTER COMPL.

SCOOTER BLATINO

510.000.00	SCOOTER BLATINO	510.103.00	CAP PUMP
	<u>ENGINE</u>	510.104.00	PACKING RING
510.001.00	ENGINE COMPLETE	510.105.00	PACKING RING 22
510.001.01	ENGINE PROPER	510.106.00	GASKET
510.002.00	STARTER COMPLETE	510.107.00	HOLDER
510.003.00	STARTER ROPE	510.108.00	TROTTLE VALVE
510.004.00	FORMED BED - PLATE	510.109.00	BOWDEN HOLDER
510.005.00	STARTER ROPE HAND HOLDER	510.110.00	COVERING
510.006.00	GUIDE BUSH	510.111.00	SEALING
510.007.00	STARTER CASE	510.112.00	DIAPHRAGM SEALING
510.008.00	SPRING	510.113.00	DIAPHRAGM III
510.009.00	RATCHET WHEEL	510.114.00	DIAPHRAGM I
510.010.00	CLUTCH BLOCK SCREW - COMPLETE	510.115.00	DIAPHRAGM II
510.011.00	WASHER 4,5 x 16 x 1,5	510.116.00	ADJUSTING SCREW BOWDEN
510.012.00	CLUTCH COMPLETE	510.117.00	SPRING
510.013.00	CLUTCH BLOCK - PAIR	510.118.00	SPRING
510.014.00	SCREW	510.119.00	SPRING
510.015.00	WASHER	510.120.00	SPRING
510.016.00	SPRING	510.121.00	NEEDLE VALVE
510.017.00	WASHER	510.122.00	WASHER SPRING
510.018.00	SUBBASE	510.123.00	WASHER
510.019.00	CLUTCH CASE - COMPLETE	510.124.00	PACKING RING
510.020.00	PINION	510.125.00	SPINDLE VALVE
510.021.00	CLUTCH CASE	510.126.00	VALVE
510.022.00	CLUTCH CYLINDER	510.127.00	BOWDEN HOLDER
510.023.00	CYLINDER + PISTON COMPLETE	510.128.00	BUTTON CHOKE
510.024.00	CYLINDER - A	510.129.00	BUTTON PUMP
510.024.01	CYLINDER - B	510.130.00	AIR FILTER COMPLETE
510.024.02	CYLINDER - C	510.131.00	CLUTCH CARBURETTER II
510.024.03	CYLINDER - D	510.132.00	VALVE
510.025.00	SEALING	510.133.00	CASE
510.026.00	SEALING	510.134.00	PROTECTIVE GRATING
510.027.00	FLANGE	510.135.00	AIR FILTER
510.028.00	SEALING	510.145.00	WASHER 5 x 8,5 x 1
510.029.00	SEALING		<u>FRAME</u>
510.031.00	PISTON COMPLETE - A	511.001.01	FRAME
510.031.01	PISTON COMPLETE - B		<u>BRAKE</u>
510.031.02	PISTON COMPLETE - C	112.025.01	BRAKE DISC - FRONT
510.031.03	PISTON COMPLETE - D	112.026.20	BRAKE DISC - REAR
510.032.00	PISTON RING	312.017.00	LIFTER LEVER
510.033.00	PISTON - A	312.019.00	SPRING, RIGHT
510.033.01	PISTON - B	332.020.00	NUT
510.033.02	PISTON - C	512.004.00	HANDLE BAR LEVER, RIGHT
510.033.03	PISTON - D	512.005.00	HANDLE BAR LEVER, LEFT
510.034.00	WRIST - PIN	512.006.00	BOWDEN CABLE - FRONT
960.103.00	BEARING	512.007.00	BOWDEN CABLE - REAR
510.037.00	CRANK BALANCED	512.008.10	LIFTER, LEFT
510.039.00	ENGINE CRANK CASE	512.016.50	TERM. CLAMP BOWDEN
510.040.00	PIN	512.019.01	WASHER
510.041.00	SEALING ENGINE CRANK CASE	512.042.00	DISTANCE SLEEVE
510.045.00	COVERING	512.043.00	BRAKE PIN
510.046.00	COVERING	512.044.00	LIFTER PIN
510.050.00	SEALING SET	512.045.00	BOWDEN HOLDER
510.052.00	MUFFLER	512.053.00	FRONT BRAKE CASE - 1 PAIR
510.052.00	MUFFLER	512.054.00	DISC BRAKE PADS - 1 PAIR
	<u>CARBURETOR</u>	512.055.00	BRAKE COMPLETE - FRONT
510.100.00	CARBURETOR WYK 42	512.056.00	BRAKE COMPLETE - REAR
510.101.00	CARBURETOR CASE	512.058.00	REAR BRAKE CASE
510.102.00	CASE PUMP	512.060.00	SPRING RIGHT

	<u>WHEELS</u>		
513.001.01	FRONT RIMS	519.009.00	STAND - COMPLETE
513.002.00	TYRE	519.010.01	TANK - COMPLETE
513.003.00	TUBE	519.012.01	LABEL BLATINO - COMPLETE
513.005.03	DISTANCE SLEEVE L = 3,5	519.013.01	SADDLE HOLDER
513.005.04	DISTANCE SLEEVE L = 5	519.014.00	HEAD SEAT POST
513.006.00	AXLE OF WHEEL L = 155	519.015.00	LAMP BRACKET + (SCREWS 2 PCS)
513.007.00	AXLE OF WHEEL L = 160	519.016.00	SEAT CLAMP
513.011.01	DISTANCE SLEEVE 78,3	519.018.00	SADDLE
513.011.08	DISTANCE SLEEVE 83,3	519.019.00	SUSPENSION SEAT POST
513.014.01	FRONT DISC - COMPLETE	519.020.01	SUSPENSION SADDLE - COMPLETE
513.016.02	REAR DISC	519.021.02	LAMP BRACKET
513.020.00	FREEWHEEL	519.023.00	WASHER 5,4 x 16 x 1
513.021.00	REAR DISC - COMPLETE	519.024.00	WASHER 6,4 x 18 x 1,5
	<u>BODY</u>	519.040.01	CARRIING BAG
514.001.00	BODY		<u>JOINING ELEMENTS</u>
514.001.01	BODY KIT	911.001.01	SCREW M 5 x 27
514.002.00	SCREW BODY I - COMPLETE	912.003.01	SCREW M 5 x 25
514.003.00	FRONT FENDER	913.001.03	SCREW M 5 x 25
514.004.00	SCREW FENDER	913.002.03	SCREW M 5 x 20
514.005.01	SCREW BODY II - COMPLETE	914.001.01	SCREW M 5 x 16
514.006.01	RUBBER WASHER	914.002.02	SCREW M 5 x 16
514.006.02	RUBBER WASHER	914.005.01	SCREW M 5 x 30
514.007.00	WASHER	914.007.01	SCREW M 6 x 16
514.008.00	WASHER	914.009.01	SCREW M 6 x 22
514.009.00	WASHER	914.013.01	SCREW M 5 x 35
514.010.00	WASHER FRONT FENDER	914.014.01	SCREW M 4 x 20
514.011.00	HOLDER CLOCK - RIVETS	914.016.01	SCREW M 5 x 45
514.012.00	WASHER FOR FRAME	914.018.01	SCREW M 5 x 10
	<u>CONTROL</u>	914.026.02	SCREW M 5 x 12
515.001.01	HANDLEBARS	915.001.01	SCREW M 4 x 8
515.002.00	HAND GRIPS - PAIR	915.002.01	SCREW 4 x 8
515.004.01	FORK	915.003.01	SCREW 4 x 13
515.005.00	HEAD SET	915.004.01	SCREW M 4 x 10
515.006.00	THROTTLE CONTROLS	915.005.01	SCREW M 2,5 x 4
515.007.00	BOWDEN DUST GUARD	915.006.01	SCREW M 3 x 10
515.008.00	ADJUSTING SCREW	915.007.01	SCREW M 3 x 13
515.009.00	GAS BOWDEN CABLE	915.008.01	SCREW M 3 x 30
	<u>TRANSSMISION</u>	916.065.02	SCREW M 5 x 25
517.001.98	CHAIN 98	920.001.01	NUT M 5
517.003.72	SPROCKET, NO. TEETH 72	920.002.01	NUT M 6
	<u>EL. INSTALACE</u>	920.004.01	NUT M 8
518.001.00	KILL SWITCH	920.006.01	NUT M 6
518.002.00	HEAD LAMP	920.007.01	NUT M 8
518.003.00	REAR LAMP	920.008.01	NUT M 5
518.004.00	DYNAMO	920.009.01	NUT M 6
518.005.00	EL. CABEL	920.011.01	NUT M 10
518.006.00	EL. CABEL	930.002.01	WASHER 6,4
518.007.00	FASTON	930.003.01	WASHER 10,5
518.008.00	FASTON CAVER	930.008.00	WASHER 5,4
518.009.00	PVC TUBE	930.010.00	WASHER 8,4
518.010.00	IGNITION ELECTRONIC	930.014.00	WASHER 4,5
518.011.00	ROTOR	940.006.00	ROLLER 6 x 6
518.012.00	SPARK PLUG	950.001.00	SEGER LOCK 12 mm
118.010.00	ZIP TIES	950.002.00	SEGER LOCK 28 mm
518.013.00	ZIP TIES	950.005.00	WOODRUFF KEY 7 x 3,7
518.014.00	ZIP TIES	950.006.00	SEGER LOCK 4 mm
	<u>OTHER PARTS</u>	950.012.00	PISTON PIN LOCK RING
519.001.00	SCREW CAP	960.001.01	BEARING 6001 RSR
519.002.01	TANK	960.003.00	BEARING 6000 2ZR
519.003.00	FUEL FILTER	960.005.01	BEARING 6201
519.004.00	GAS TUBE	960.103.00	NEEDLE BEARING
		970.001.01	PACKUNG RING 12 x 22 x 7

Rights reserved for technical and design changes of the BLATA Company.

It is a great honor for us, that you have chosen our product. We believe that the SCOOTER will work for you without problems and will bring you pleasure and fun.

The producer of the SCOOTER is BLATA Company.

Manufacturing NumberCZ

Signature of the technical control:

This manual serve also as a guarantee list. Please, after receiving the product check the manufacturing number and the date of sale. In the case of a claim it is necessary to submit this guarantee list.

Name & Address of Dealership:

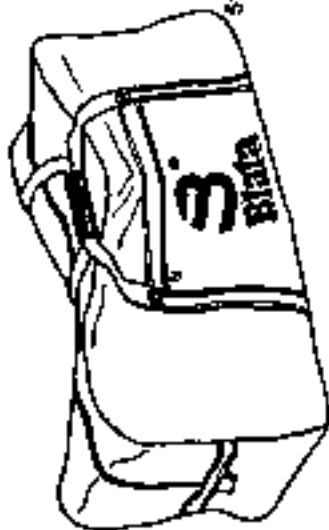
.....

.....

Date of purchase:

Salesperson signature:

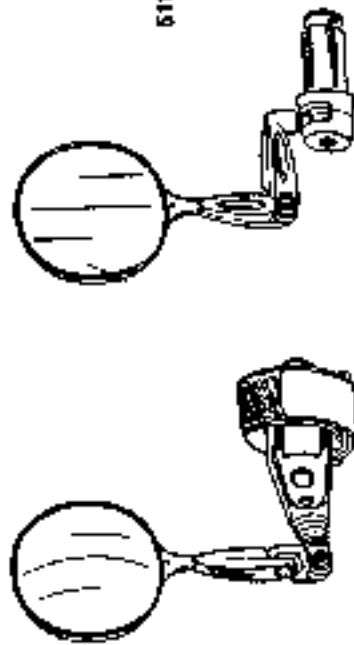
- 519.040.01 CARRYING BAG - BLACK
- 519.040.02 CARRYING BAG - RED
- 519.040.03 CARRYING BAG - BLUE



519.050.00 COLL. WITH LOGO



519.070.00 T-SHIRT

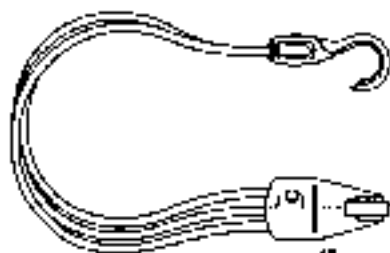


519.060.00 MIRROR DRY ZIP MOUNTING 519.056.00 MIRROR HANDLE TUBE MOUNTING

519.065.00 BELL



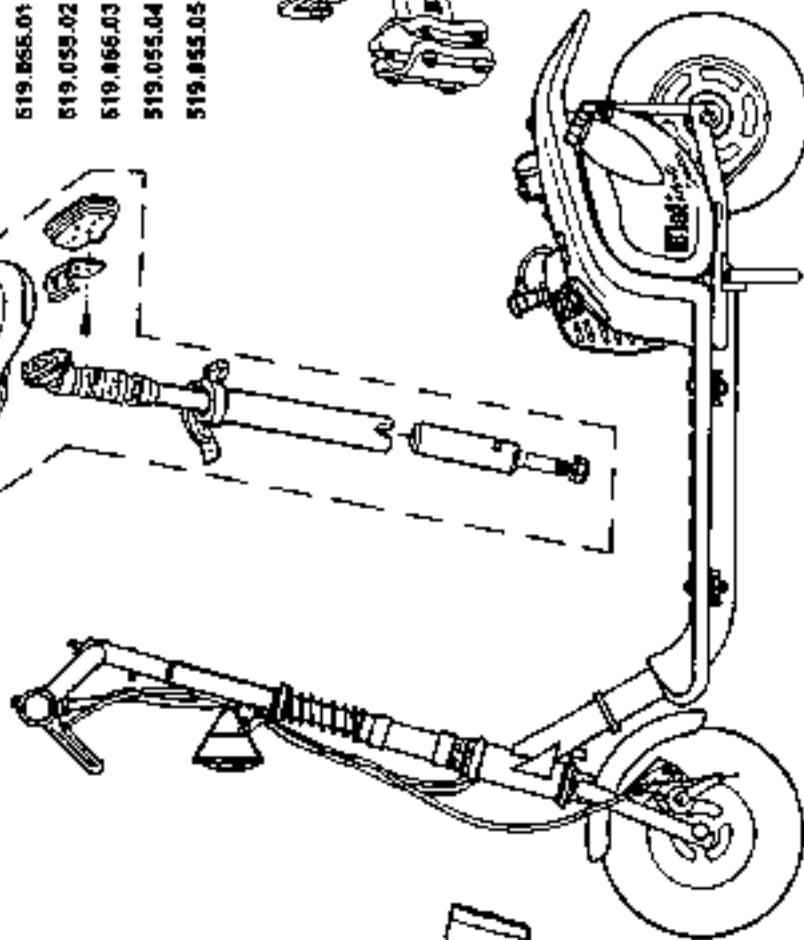
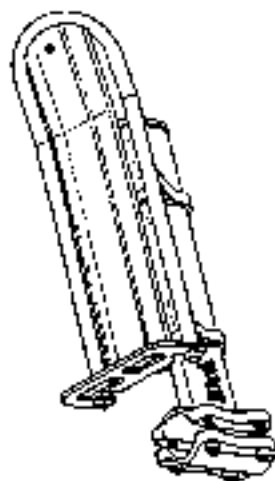
519.052.00 BUNGEE CORD



519.020.01 SADDLE - COMPLETE SUSPENSION



- 519.855.01 REAR CARRIER - RED
- 519.055.02 REAR CARRIER - BLUE
- 519.066.03 REAR CARRIER - BLACK
- 519.055.04 REAR CARRIER - YELLOW
- 519.855.05 REAR CARRIER - SILVER



SCOOTER - BLATINO ACCESSORIES

COPYRIGHT © BLATA 2007