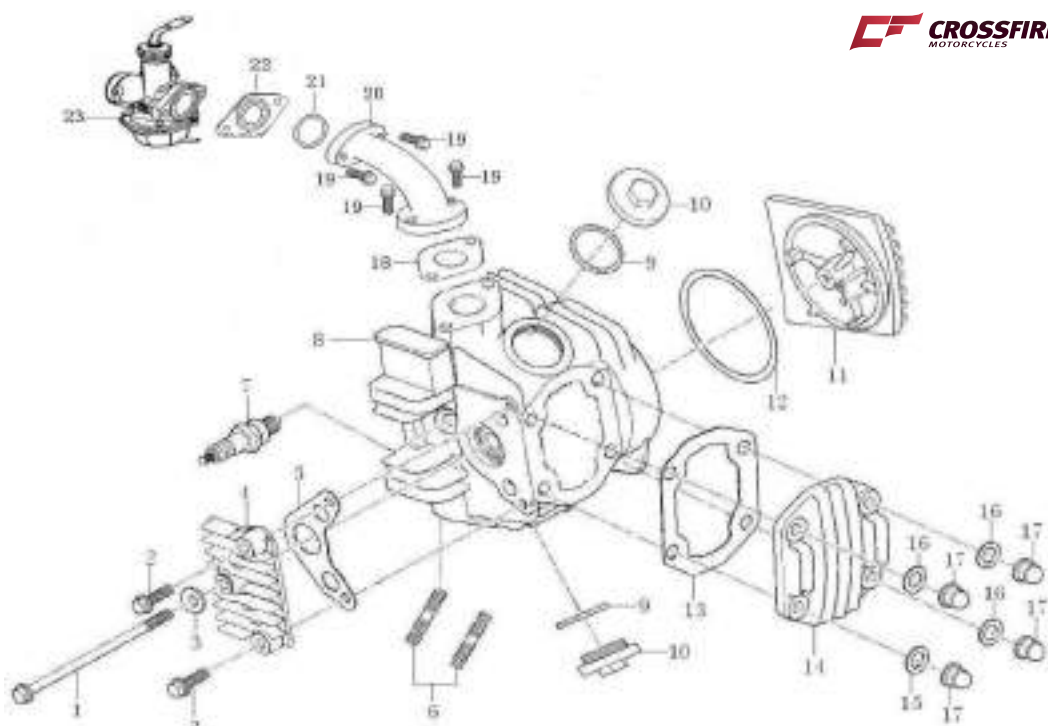


## CF70 Kick Start Engine Catalogue

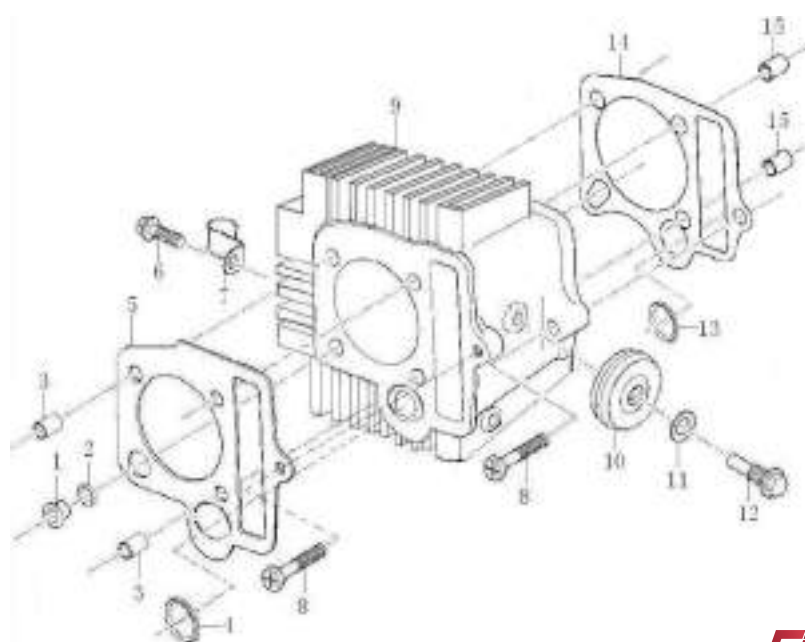
### CYLINDER HEAD ASSY. (S1)

REF.No.	PART No.	DESCRIPTION	QTY
1	91192-D002-00000X	BOLT M6×110	1
2	B166740A06002070X	BOLT M6×20	2
3	93301-70651012000	WASHER 6.5×1×12	1
4	11228-D002-00000W	RIGHT COVER, CYLINDER HEAD	1
5	90203-D002-0000	GASKET,R.CYLINDER HEAD COVER	1
6	91138-I015-00000X	BOLT M6×32	2
7	81300-G011-0000	SPARK PLUG	1
8	1122B-D002-00000W	CYLINDER HEAD ASSY	1
9	90101-20296000320	O-RING 29.6×3.2	2
10	11230-D002-00000W	COVER, VALVE CHAMBER	2
11	11227-D002-02000A	LEFT COVER, CYLINDER HEAD	1
12	90202-D002-0000	GASKET,L.CYLINDER HEAD COVER	1
13	90201-D002-0000	GASKET, CYLINDER HEAD UPPER COVER	1
14	11226-D002-00000W	UPPER COVER, CYLINDER HEAD	1
15	93301-80622013000	WASHER 6.2×2×13	1
16	93301-30622013000B	WASHER 6.2×2×13	3
17	91201-H021-00000X	NUT M6	4



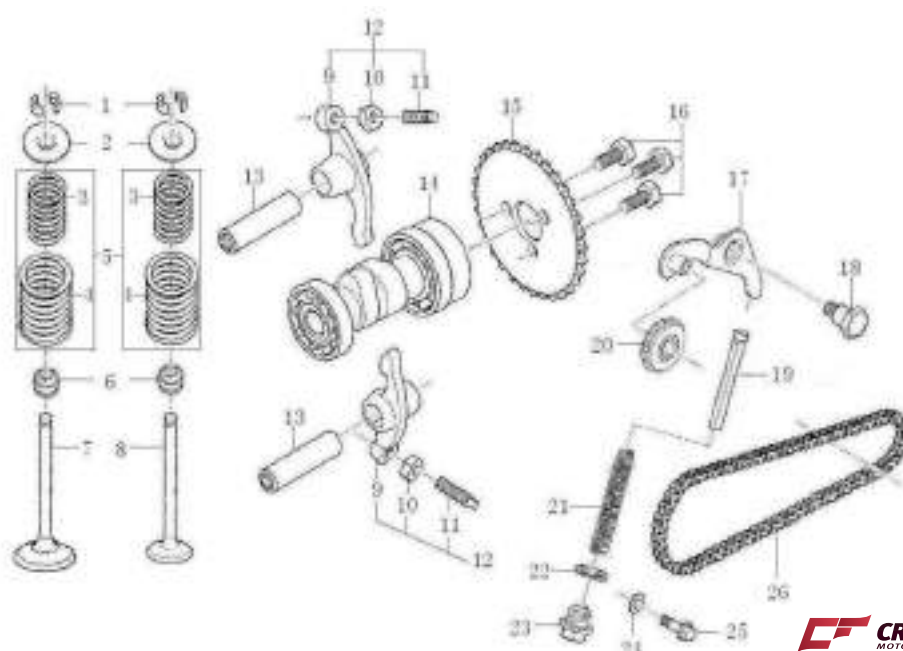
### CYLINDER ASSY. (S2)

REF.No.	PART No.	DESCRIPTION	QTY
1	11235-D002-0000	BUSH 9.5	1
2	90102-D002-0001	RECTANGLE RING 8×10.8×1.5	1
3	91521-08001400000	PIN 8×14×6.3	2
4	90102-D002-0003	RECTANGLE RING 14×18.2×2.5	1
5	9022B-D002-0000	GASKET ASSY,CYLINDER HEAD	1
6	B166740A06001670X	BOLT M6×16	1
7	11003-D002-00000X	CLIP, HIGH VOLTAGE WIRE	1
8	91113-D002-00000X	BOLT M6×23	2
9	1110B-D002-00000Y	CYLINDER BLOCK ASSEMBLY	1
10	1533A-HZ30-0000	GUIDE CHAIN ROLLER SET	1
11	93301-70851514000	WASHER 8.5×1.5×14	1
12	15302-D002-00000X	GUIDE CHAIN ROLLER PIN	1
13	90102-D002-0002	RECTANGLE RING 11.5×16×2.5	1
14	90205-D002-0000	GASKET,CYLINDER BLOCK	1
15	91521-08001200063	PIN 8×12×6.3	2



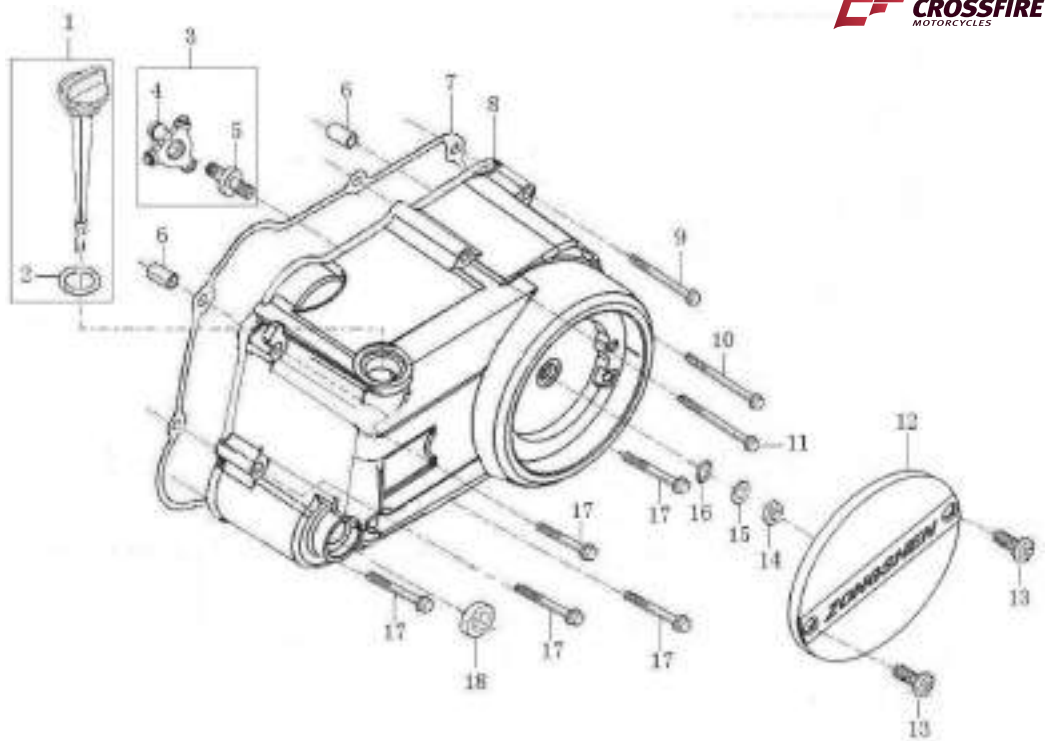
### VALVE ASSY. (S3)

REF.No.	PART No.	DESCRIPTION	QTY
1	15707-D002-0000	VALVE KEEPER	4
2	15705-D002-0000	SPRING SEAT	2
3	15704-D002-0200	VALVE INNER SPRING	2
4	15703-D002-0000	VALVE OUTER SPRING	2
5	15710-D002-0200	INNER SPRING, ASSY	2
6	1572B-D002-0000	SEAL, VALVE STEM	2
7	15701-D002-0000	INTAKE VALVE	1
8	15702-D002-0000	EXHAUST VALVE	1
9	15401-D002-0000	ROCKER ARM	2
10	15403-D002-0000	NUT, VALVE CLEARANCE	2
11	15404-D002-0000	SCREW, VALVE CLEARANCE	2
12	1540A-D002-0000	ROCKER ARM ASSEMBLY, VALVE	2
13	15402-D002-0000	ROCKER SHAFT	2
14	15100-D002-0000	GAMP SHAFT COMP	1
15	15301-D002-0000	TIMING DRIVEN SPROCKET	1
16	91191-D002-0000	BOLT M5×12	3
17	1556B-D002-0000	CHAIN ADJUSTING SET	1
18	15505-D002-0000	AXLE, TENSIONER LEVER	1
19	1555B-D002-0000	CHAIN TYHT SET	1
20	1554B-D002-0000	PLUG OF TIGHTENER	1
21	15503-D002-0000	SPRING	1
22	93301-71451520000	WASHER 14.5×1.5×20	1
23	91105-D002-00000X	SEALING PLUG M14×1.5	1
24	93301-70621513000	WASHER 6.2×1.5×13	1
25	B166740006001870X	BOLT M6×18	1
26	1532B-D002-0000	SPROKET CHAIN	1



### CRANKCASE COVER, RH (S4)

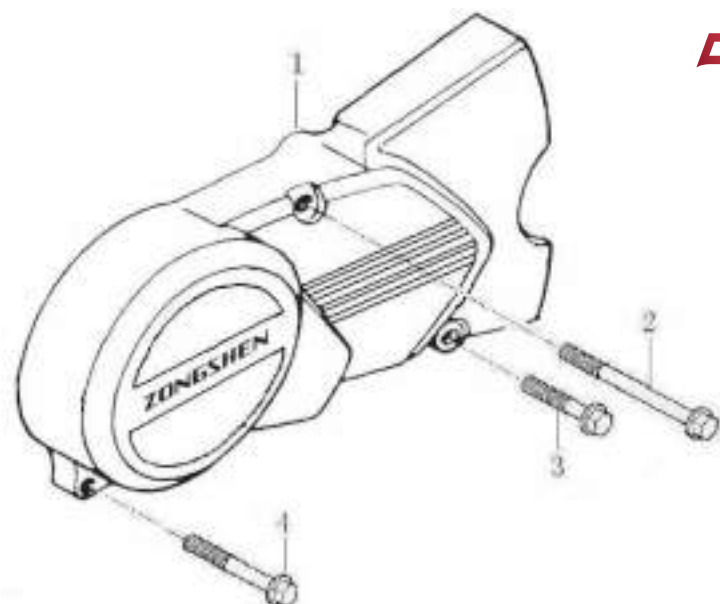
REF.No.	PART No.	DESCRIPTION	QTY
1	14301-D002-0000	OIL RULER ASSY	1
2	90101-10180000300	O-RING 18×3	1
3	2244A-G031-00000X	CLUTCH TAPPET	1
4	22440-G011-0000	CLUTCH TAPPET	1
5	91112-G031-00000X	BOLT M8	1
6	91521-08001200063	PIN 8×12×6.3	2
7	90206-D002-0000	GASKET . R.CRANKCASE COVER	1
8	12421-G031-A00089	COVER COMP. RIGHT CRANKCASE	1
9	B166740A06008070X	BOLT M6×80	1
10	B166740A06006570X	BOLT M6×65	2
11	90101-10080000180	O-RING 8×1.8	1
12	B000970108000000B	WASHER φ8	1
13	B061700008000090X	NUT M8	1
14	B166740A06004070X	BOLT M6×40	5
15	90304-D002-0000	OIL SEAL 13.8×24×5	1



**CROSSFIRE**  
MOTORCYCLES

### CRANKCASE COVER, LH (S5)

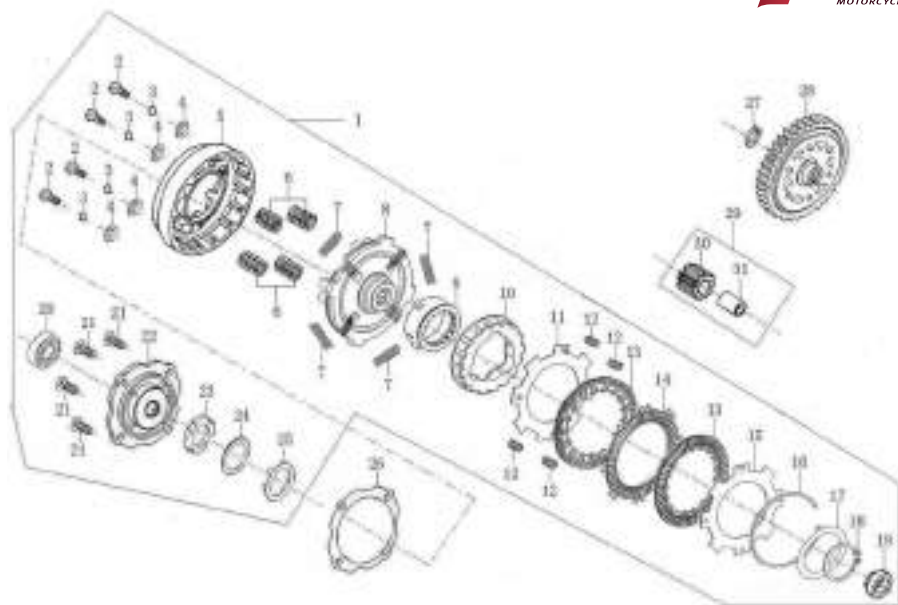
REF.No.	PART No.	DESCRIPTION	QTY
1	12306-F004-020189	L.CRANKCASE COVER FRONT PART	1
2	B166740A06003570X	BOLT M6×35	1
3	B166740A06002870X	BOLT M6×28	1
4	B166740A06003270X	BOLT M6×32	1



**CROSSFIRE**  
MOTORCYCLES

### CLUTCH ASSY. (S6)

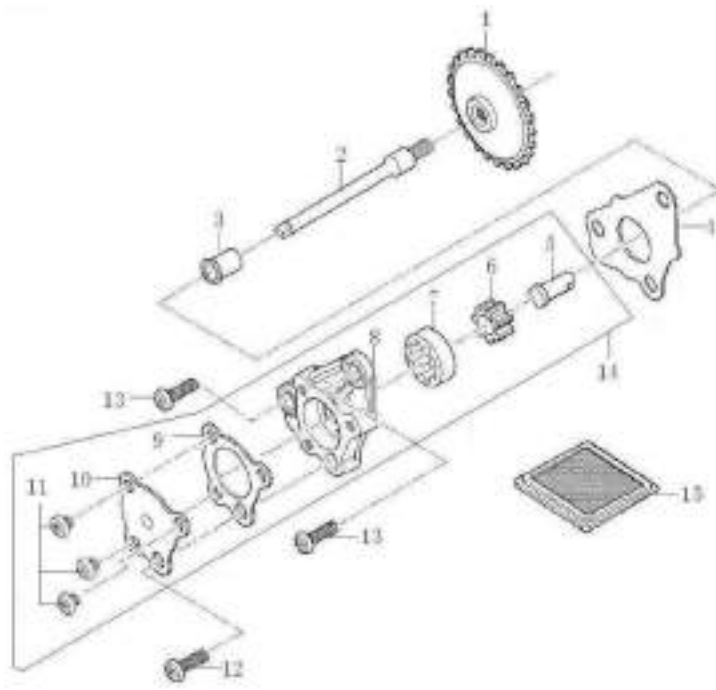
REF.No.	PART No.	DESCRIPTION	QTY
1	22000-G031-0700	CLUTCH ASSY	1
2	B008180005001220B	SCREW M5×12	4
3	B0009300050000000	WASHER φ5	4
4	B0009600050000K00	WASHER φ5-140HV	4
5	22151-G031-0000	OUTER CASE, CLUTCH	1
6	22142-G031-0000	SPRING, CLUTCH	4
7	22144-G031-0000	ABSORBING SPRING	4
8	22110-G031-0000	DRIVE PLATE COMP	1
9	22109-G031-0000	ALIGNING SLIDING BUSH	1
10	22102-IA30-0000	HUB,CLUTCH SLEEVE	1
11	2213B-G031-0000	CLUTCH TOP PLATE	1
12	22143-G031-0000	CLUTCH CUT SPRING	4
13	22215-G031-0000	OUTER FRICTION DISK A	2
14	22214-G031-0000	DRIVE FRICTION DISK	1
15	2212B-G031-0000	CLUTCH BELOW PLATE	1
16	91403-D002-0000	ELASTIC CHECK RING	1
17	22106-IA30-0000	CLUTCH DASH POT SLIPCOVER	3
18	90218-G031-0000	GASKET,END COVER	1
19	22135-D002-0000	SLEEVE	1
20	92102-00000006000	BEARING (6000)	1
21	B008190205001270B	SCREW M5×12	4
22	22121-G031-0000	END COVER,CLUTCH	1
23	91202-D002-0000	LOCK NUT, CLUTCH	1
24	22004-D002-0000	DISH WASHER, CLUTCH	1
25	22001-D002-0000	STOP WASHER, CLUTCH	1
26	23226-D002-0000	CIRCLIP	1
27	2312B-G031-0000	DRIVEN GEAR COMP	1
28	23110-G031-0000	DRIVEN GEAR	1
29	23102-G031-0000	AXLE SLEEVE	1
30	23101-G031-0000	PRIMARY DRIVE GEAR	1



**CROSSFIRE**  
MOTORCYCLES

### OIL PUMP ASSY. (S7)

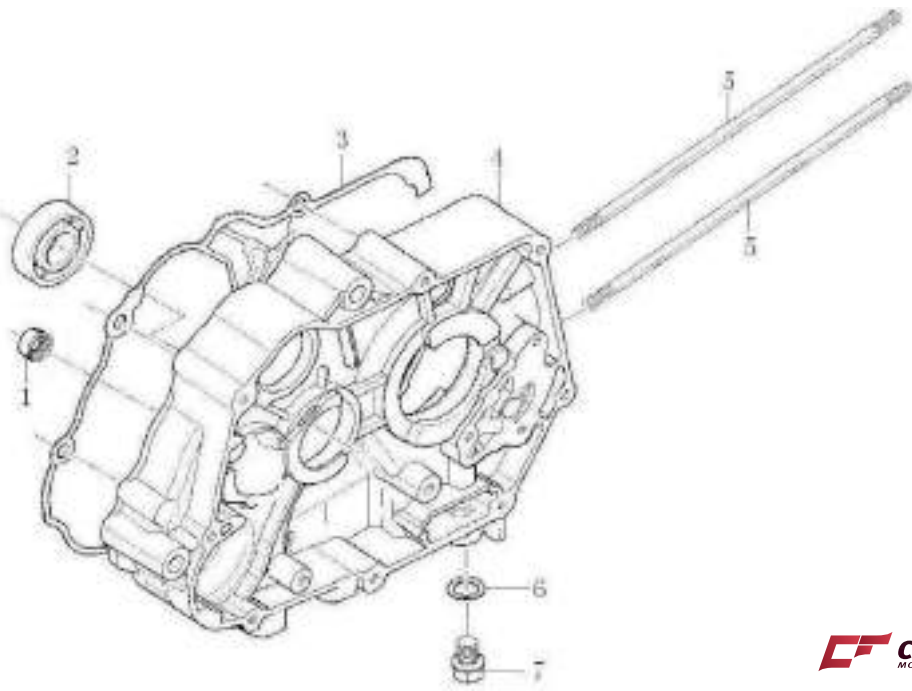
REF.No.	PART No.	DESCRIPTION	QTY
1	1432B-D002-0000	HUB DUMP CHAIN SPROCKET , OIL PUMP	1
2	14302-D002-0000	OIL PUMP SPROCKET SHAFT	1
3	14304-D002-0000	BUSH, SPROCKET	1
4	90210-D002-0000	GASKET,OIL PUMP	1
5	14107-G011-0000	SHAFT,OIL PUMP	1
6	14111-D002-0000	INNER ROTOR, OIL PUMP	1
7	14112-D002-0000	OUTER ROTOR, OIL PUMP	1
8	14110-D002-0000	OIL PUMP BODY	1
9	90221-D002-0000	GASKET,OIL PUMP COVER	1
10	14108-G011-0000	OIL PUMP COVER	1
11	B008180005001020B	SCREW M5×10	3
12	B008230006002220B	SCREW M6×22	1
13	B008230006001620B	SCREW M6×16	2
14	14100-D002-0000	OIL PUMP ASSY	1
15	1431B-D002-0000	STRAINER,OIL FILTER	1



**CROSSFIRE**  
MOTORCYCLES

### CRANKCASE, RH (S8)

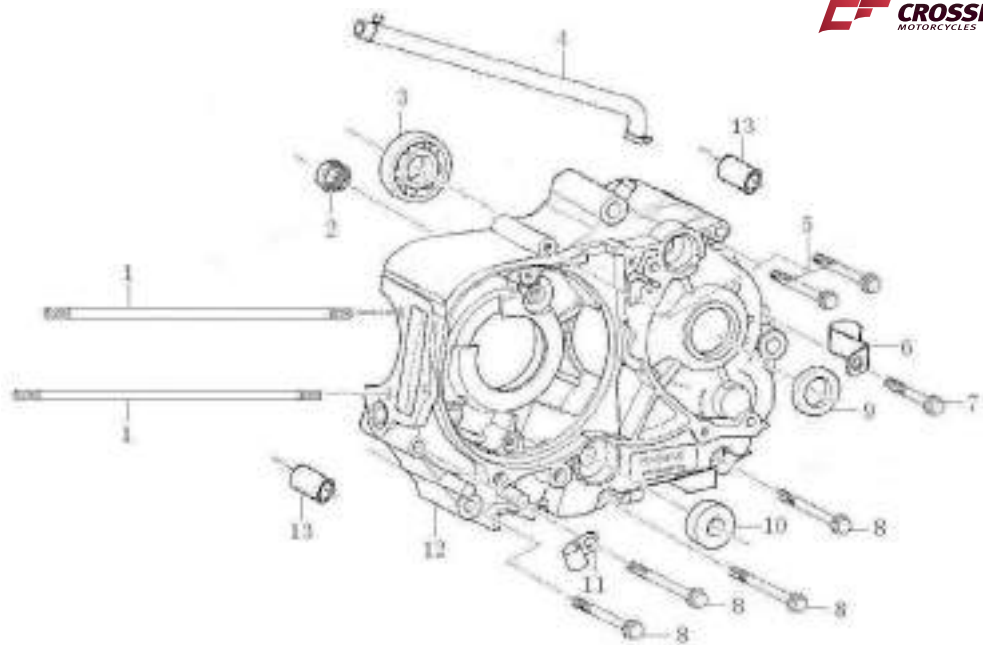
REF.No.	PART No.	DESCRIPTION	QTY
1	92102-0NK13.52212	BEARING(NK13.5×22×12)	1
2	92102-00000006203	BEARING (6203)	1
3	90208-D002-0000	GASKET,CRANKCASE	1
4	1222B-F004-000289	RIGHT CRANKCASE BLOCK	1
5	91102-D002-0000	CYLINDER STUD BOLT B	2
6	93301-71242020000	WASHER 12.4×2×20	1
7	91103-I008-00000X	OIL DRAIN PLUG	1



**CROSSFIRE**  
MOTORCYCLES

### CRANKCASE, LH (S9)

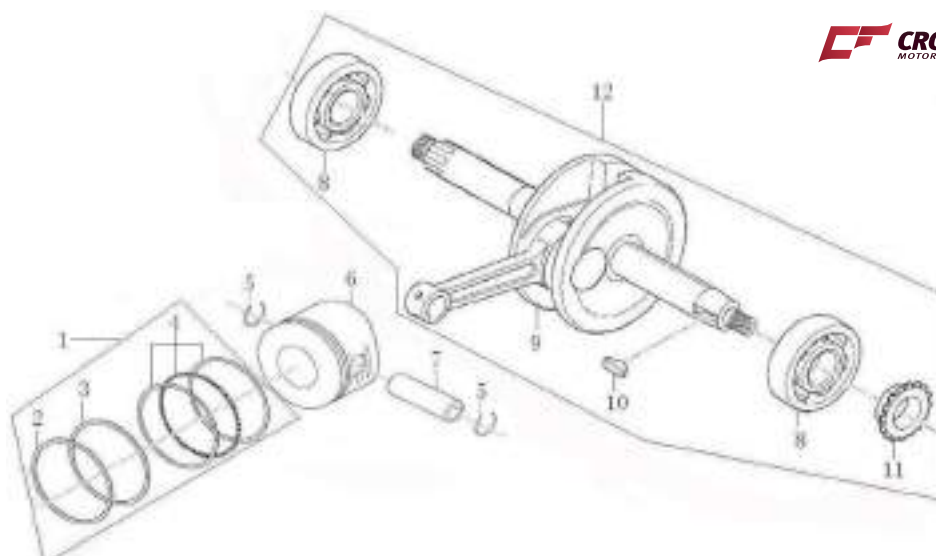
REF.No.	PART No.	DESCRIPTION	QTY
1	91101-D002-0000	CYLINDER STUD BOLT A	2
2	92102-0NK13.52212	BEARING(NK13.5×22×12)	1
3	92102-00000006203	BEARING (6203)	1
4	12130-G011-0102	BREATH TUBE	1
5	B166740A06006070X	BOLT M6×60	2
6	11003-D002-00000X	CLIP, HIGH VOLTAGE WIRE	1
7	B166740A06004570X	BOLT M6×45	1
8	B166740A06006570X	BOLT M6×65	4
9	90303-D002-0000	OIL SEAL 17×29×5	1
10	90301-D002-0000	OIL-SEAL 11.6×24×10	1
11	12108-D002-00000X	CLIP, OVERFLOW PIPE	1
12	1212B-F004-000189	LEFT CRANKCASE BLOCK	1
13	91521-10001400000	PIN 10×14	2



**CROSSFIRE**  
MOTORCYCLES

### CRANKSHAFT / PISTON ASSY. (S10)

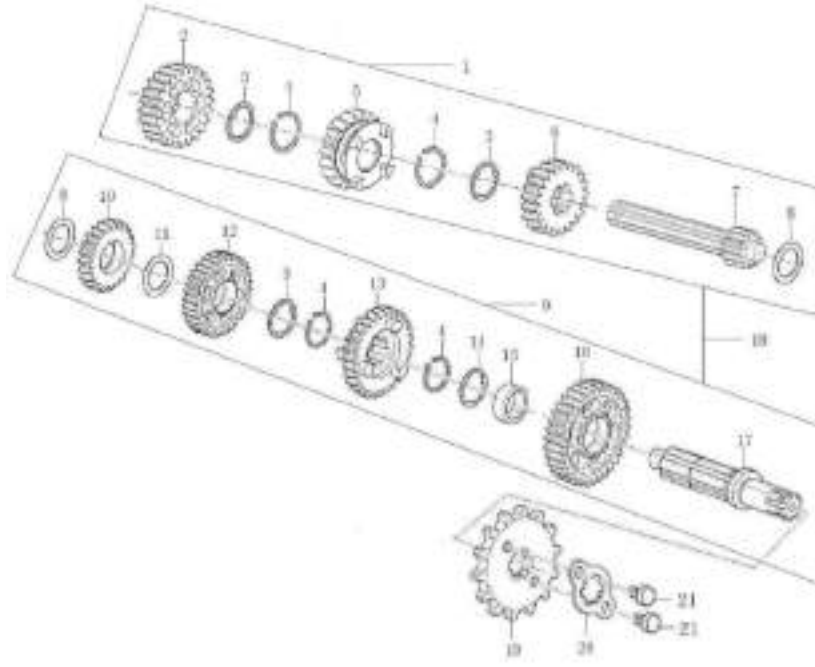
REF.No.	PART No.	DESCRIPTION	QTY
1	1310A-D002-0000	PISTON RING COMP	1
2	13103-D002-0000	PISTON RING 1	1
3	13104-D002-0000	PISTON RING 2	1
4	13120-D002-0000	OIL RING ASSY	1
5	91401-D002-0000	CHECK RING, PISTON PIN	2
6	13101-D002-0000	PISTON	1
7	13102-D002-0000	PIN PISTON	1
8	92102-00000006304	BEARING (6304)	2
9	13220-D002-0000	CONNECTING ROD COMP 3	1
10	91601-D002-0000	SEMICIRCULAR KEY	1
11	13222-D002-0000	HUB DUMP CHAIN SPROCKET	1
12	1320B-D002-0000	CRANKSHAFT CONNECTING-ROD ASSY	1



**CROSSFIRE**  
MOTORCYCLES

### TRANSMISSION / COUNTER-SHAFT ASSY. (S11)

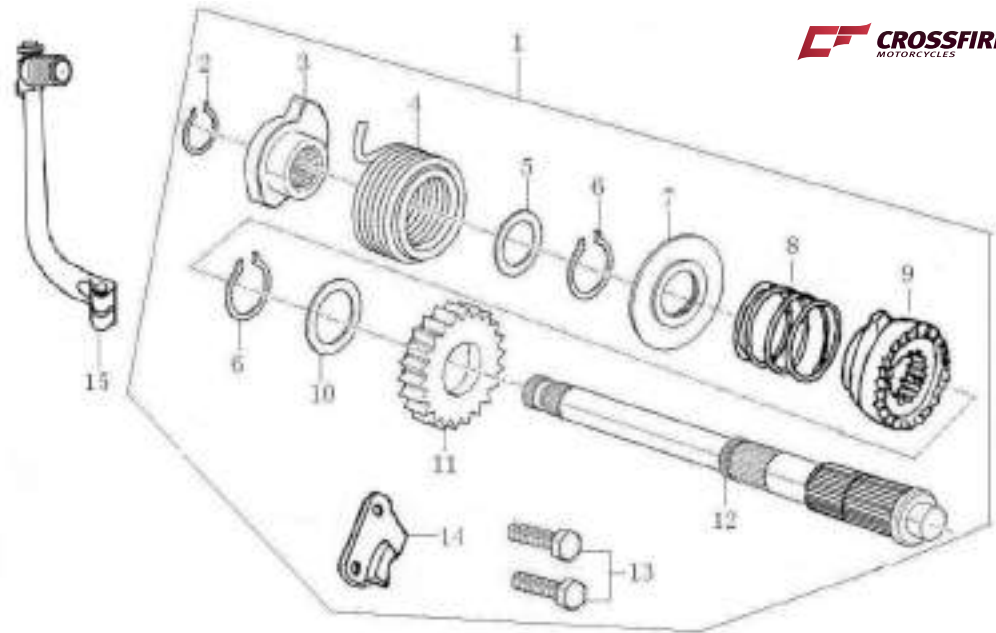
REF.No.	PART No.	DESCRIPTION	QTY
1	23220-D002-1000	MAIN SHAFT, TRANSMISSION	1
2	23222-D002-0004	GEAR M-4	1
3	23223-D002-0000	WASHER	3
4	23226-D002-0000	CIRCLIP	4
5	23222-D002-0003	GEAR M-3	1
6	23222-D002-0002	GEAR M-2	1
7	23221-D002-1000	TRANSMISSION MAIN SHAFT	1
8	93301-51370526000	WASHER 13.7×0.5×26	2
9	23240-D002-0000	COUTERSHAFT TRANSMISSION	1
10	23242-D002-0004	GEAR C-4	1
11	93301-51721026000	WASHER 17.2×1.0×26	1
12	23242-D002-0003	GEAR C-3	1
13	23242-D002-0002	GEAR C-2	1
14	23223-D002-0002	WASHER	1
15	23247-D002-0000	COLLAR	1
16	23242-D002-0001	GEAR C-1	1
17	23241-D002-0000	TRANSMISSION COUNTER SHAFT	1
18	23200-D002-1000	TRANSMISSION MAIN . COUNTER SHAFT	1
19	23401-G011-0000	DRIVE SPROCKET	1
20	23402-D002-0000	FIXING PLATE,DRIVE SPROCKET	1
21	B057830006001070B	BOLT M6×10	2



**CROSSFIRE**  
MOTORCYCLES

### KICK START ASSY. (S12)

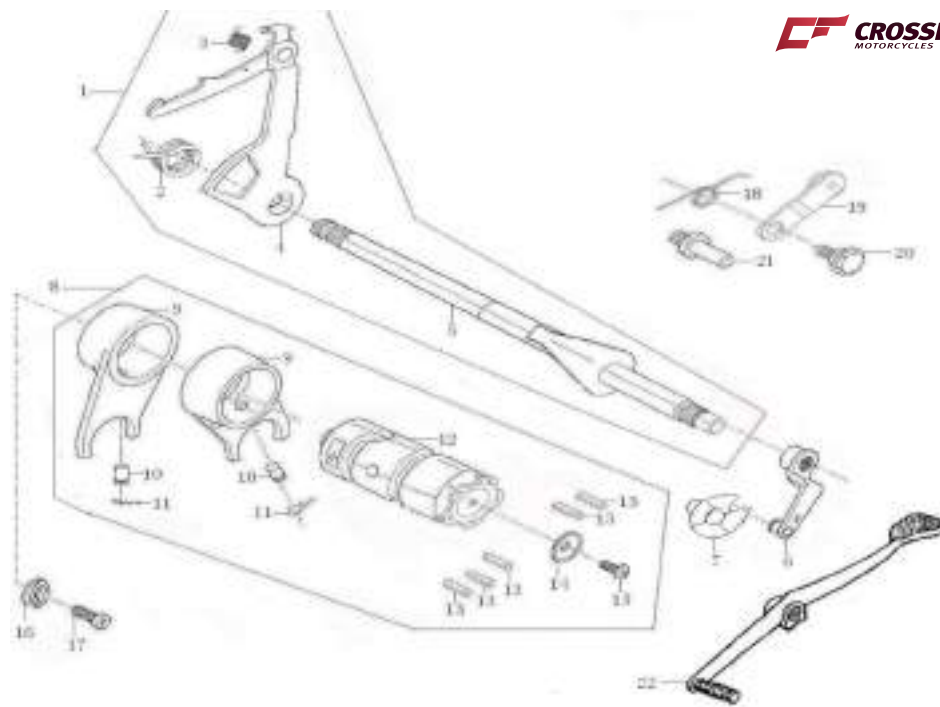
REF.No.	PART No.	DESCRIPTION	QTY
1	21100-IA24-0000	KICK STARTING SHAFT ASSEMBLY	1
2	91402-D002-0000	CIRCLI φ15.5×1.2×φ19	1
3	21104-IA24-0000	SEAT, SPRING, KICK STARTING SHAFT	1
4	21106-D002-0000	RETURN SPRING, KICK STARTING SHAFT	1
5	93301-61721024000	WASHER 17.2×1.0×24	1
6	91402-D002-0100	CIRCLI φ18.5×1.2×φ22.1	2
7	21122-D002-0000	SPRING SUPPORT	1
8	21119-D002-0000	SPRING, KICK STARTING RATCHET WHEEL	1
9	21118-HZ11-0000	STARTING RATCHET	1
10	93301-62021027000	WASHER 20.2×1.0×27	1
11	21117-G011-0000	GEAR, KICK STARTER	1
12	21107-D002-0002	PIVOT, KICK STARTING SHAFT	1
13	B057830006002070B	BOLT M6×20	2
14	21108-D002-0000	SPACE, RATCHET WHEEL	1



**CROSSFIRE**  
MOTORCYCLES

### GEAR SHIFT ASSY. (S13)

REF.No.	PART No.	DESCRIPTION	QTY
1	91117-D002-0000	BOLT, RETURN SPRINGN FIXING 8×11	1
2	24300-D002-0000	GEARSHIFT LEVER COMP	1
3	24302-D002-0000	RETURN SPRING	1
4	24320-D002-0000	SLEEVE OF GEARSHIFT LEVER COMP	1
5	24318-D002-0000	GEARSHIFT LEVER TENSIO M SPRING	1
6	24301-D002-0000	GEARSHIFT SHAFT COMP	1
7	24400-G007-0002	GEARSHIFT SHAFT	1
8	24200-G011-0100	GEARSHIFT DRUM COMP	1
9	24101-G011-0000	GEARSHIFT FORK	2
10	24102-D002-0000	GUIDE PIN	2
11	24103-D002-0000	CLIP, SPRING	2
12	24213-G011-0000	GEARSHIFT DRUM	1
13	91522-04001300000	PIN 4×13	4
14	91522-03000880000	PIN 3×8.8	2
15	91522-04000900000	PIN 4×9	1
16	24202-G011-0000	STOPPING PLATE	1
17	B057890006001670B	BOLT M6×16	1
18	88004-G011-0000	CONTACT . CEARINDICATION	1
19	91149-G011-00000C	SCREW	1
20	24304-G011-0000	SPRING ,LOCATING PLATE	1
21	2434A-G011-0000	LOCATING PLATE ASSY	1



**CROSSFIRE**  
MOTORCYCLES

**MAGNETO / FLYWHEEL ASSY. (S14)**

REF.No.	PART No.	DESCRIPTION	QTY
1	82120-F004-010034	STATOR ASSY,MAGNETO	1
2	90101-50065000180	O-RING 6.5×1.8	2
3	90101-51068000200	O-RING 106.8×2	1
4	88002-G011-0001	GEARSHIFT SWITCH PRESSING PLATE	1
5	B008230006001220B	SCREW M6×12	1
6	B008190106001620B	SCREW M6×16	2
7	82130-F004-0000	ROTOR ASSY,MAGNETO	1
8	91213-D002-00000X	NUT	1
9	90309-G011-0001	OIL SEAL 19×30×5	1

