



# RABBIT TOURING 150 S402 SERIES

(S402A, S402AT, S402BT, S402BT-II)

# CONTENTS

## ENGINE

CRANKCASE (I) .....	2
CRANKCASE (II) .....	4
CHAINCASE .....	6
CLUTCH COVER .....	8
TRANSMISSION COVER .....	10
CYLINDER & CYLINDER HEAD .....	12
PISTON & CRANKSHAFT .....	14
FAN COVER .....	17
CLUTCH (S402A, S402AT) .....	18
CLUTCH (S402BT, S402BT-U) .....	20
TRANSMISSION .....	22
KICK STARTER .....	24
AIR CLEANER .....	26
STARTER DYNAMO (A) .....	27
STARTER DYNAMO (B) .....	28
REGULATOR .....	30
IGNITION COIL .....	31
CARBURETOR (S402A, S402AT) .....	32
CARBURETOR (S402BT, S402BT-U) .....	34

## BODY

HANDLEBAR & FRONT FORK .....	38
FRONT WHEEL .....	42
BRAKE CONTROL SYSTEM .....	44
FUEL SYSTEM .....	46
REAR WHEEL .....	48
MUFFLER .....	51
CONTROL SYSTEM .....	52
FRAME .....	5b
BODY COVER .....	60
FRONT FENDER .....	64
ELECTRICAL SYSTEM .....	66
SPEEDOMETER .....	70
TOOL KITS .....	71
ACCESSORIES .....	72
FRONT CARRIER & REAR CARRIER .....	74

## INDEX & PRICE LIST

## NOTE

1. When ordering spare parts, use the standard parts order sheets and be sure to give the model number.
2. When ordering painted parts, be sure to name the color.
3. Applicable chassis number.

S402A, S402AT

C/#1001 ~ 3000

S402BT

C/#3001 ~ 5000

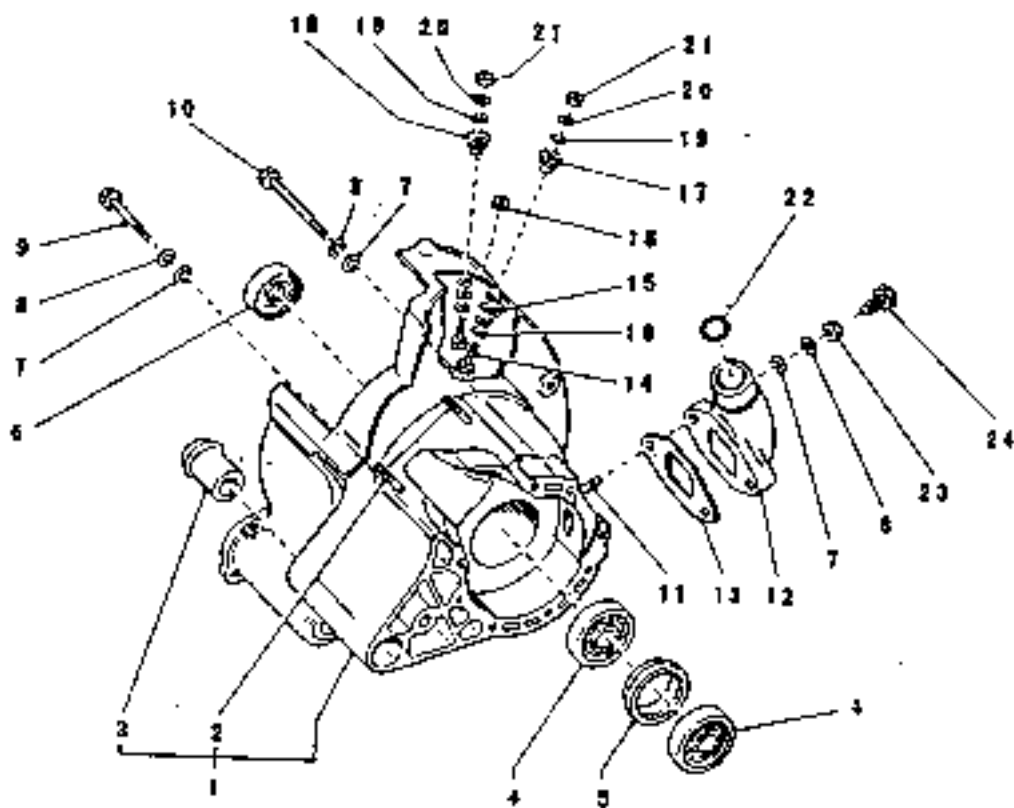
S402BT-U

C/#5001 and after

4. The parts which is not listed in this catalogue can not be supplied.

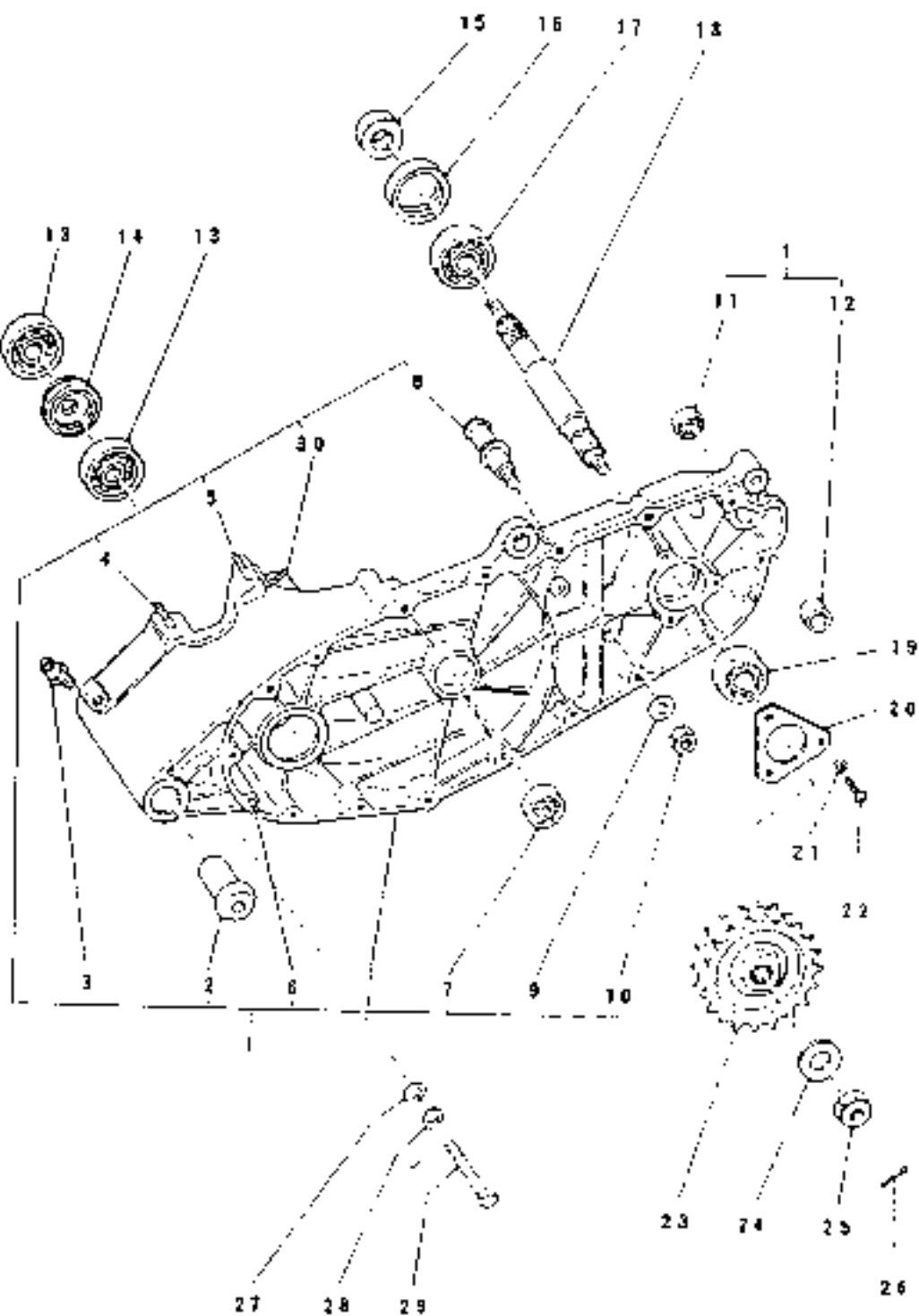
# ENGINE

Classic Cycles Technical Resources



# CRANKCASE (I)

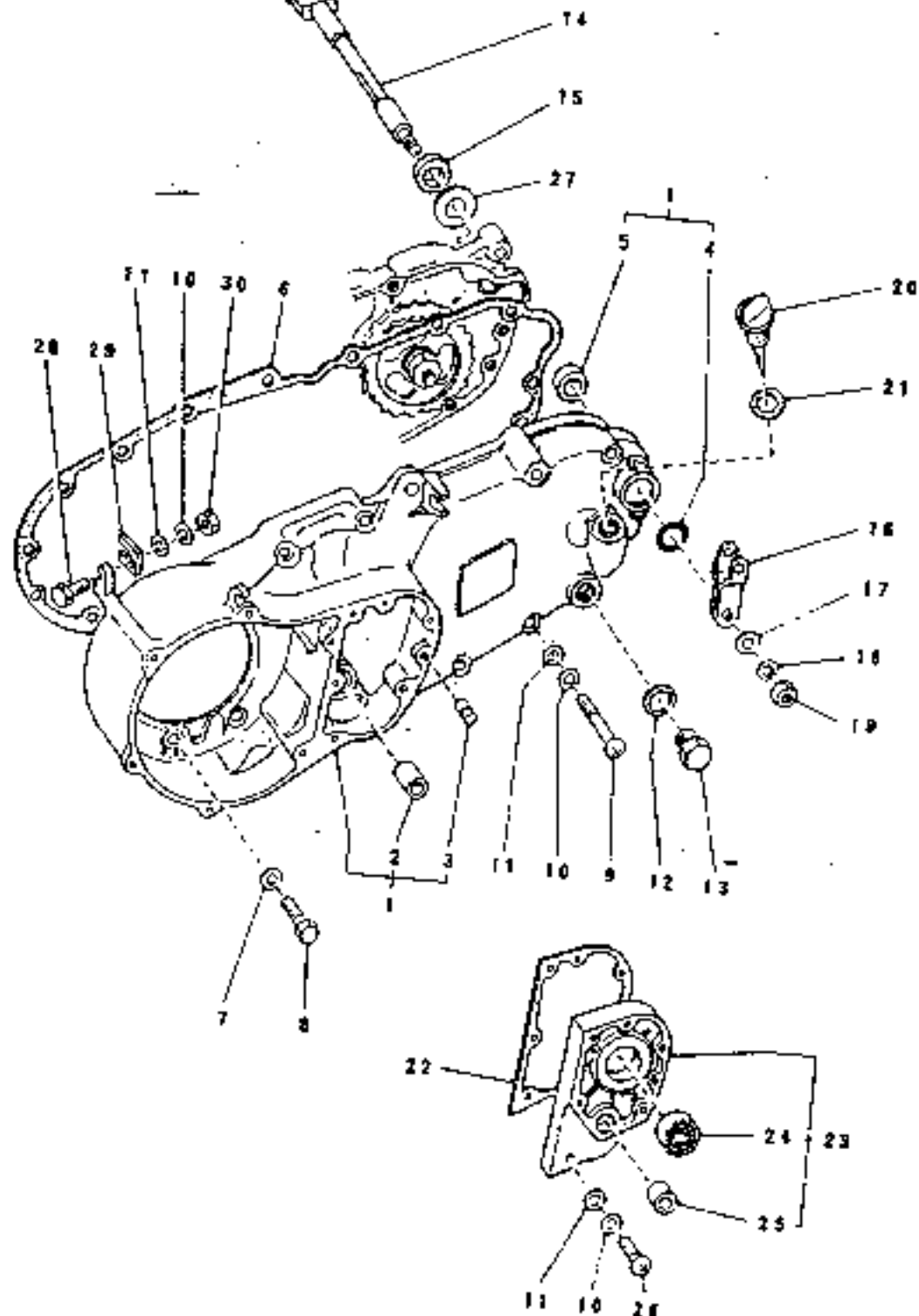
Item	Part Number	Nomenclature	Q'ty Req.	Remarks	A		B	
					T	I	T	II
1	880 022 200	Crankcase 1	1	Includes 2, 3.	x	x	o	o
	880 022 410	Crankcase 1	1	Includes 2, 3. E/# 1664 and after.	o	o	x	x
2	800 808 110	Stud Bolt (8 x 29 x 14)	2					
3	811 231 900	Bushing III (Crankcase)	1		o	o	o	o
4	806 225 030	Ball Bearing	2		o	o	o	o
5	811 452 400	Spacer (Crankcase)	1		o	o	o	o
6	806 720 020	Oil Seal (20 x 40 x 7)	1		o	o	o	o
7	031 008 002	Washer	8		o	o	o	o
8	032 008 201	Spring Washer	8		o	o	o	o
9	800 108 040	Bolt (8 x 58 x 20)	5		o	o	o	o
10	800 208 110	Bolt (8 x 75 x 20)	1	(800208060)	x	x	o	o
11	013 208 351	Stud Bolt	1		x	x	x	o
12	822 072 200	Intake Pipe	1		x	x	o	o
13	822 102 200	Gasket (Intake, Pipe)	1		x	x	o	o
14	800 105 010	Bolt (5 x 27 x 15)	2	E/# 1664 and after.	o	o	o	o
15	825 821 910	Insulator	6	E/# 1664 and after.	o	o	o	o
16	825 801 900	Grommet III	1	E/# 1664 and after.	o	o	o	o
17	825 791 900	Grommet II	1	E/# 1664 and after.	o	o	o	o
18	825 781 900	Grommet I	1	E/# 1664 and after.	o	o	o	o
19	031 105 002	Washer	3	E/# 1664 and after.	o	o	o	o
20	032 008 201	Spring Washer	2	E/# 1664 and after.	o	o	o	o
21	021 005 000	Nut	2	E/# 1664 and after.	o	o	o	o
22	806 926 010	"O" Ring	1		x	x	o	o
23	022 008 000	Nut	2		x	x	x	o
24	016 308 301	Bolt	2		x	x	o	x



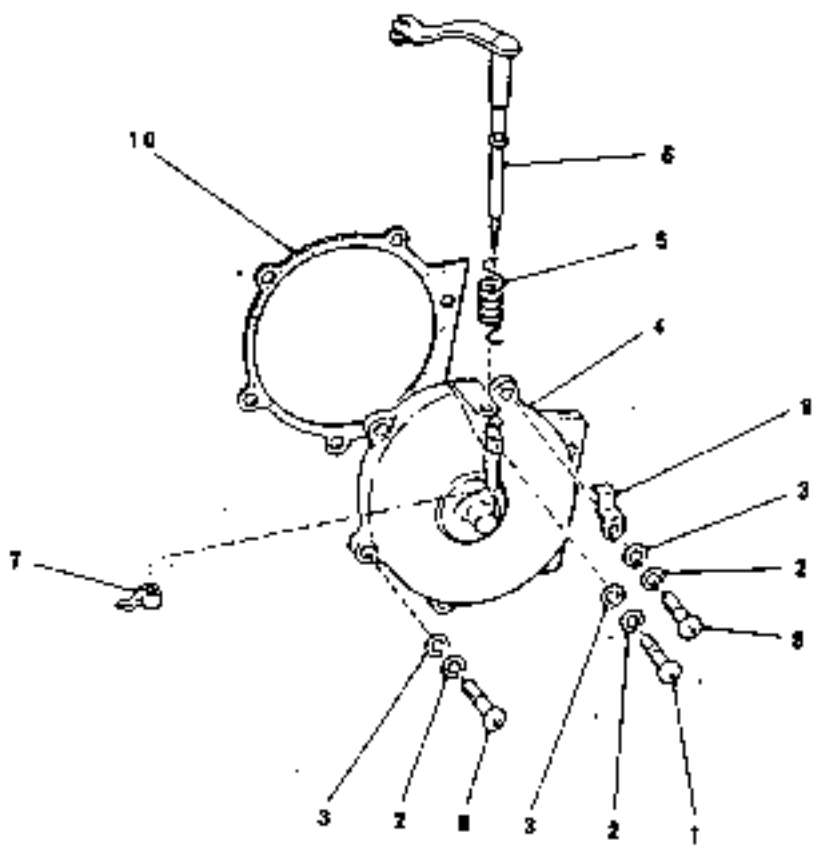
## CRANKCASE (II)

Item	Part Number	Nomenclature	Qty Req.	Remarks	A	A T	B T	
							I	II
1	880 042 200	Crankcase II	1	Includes 2 - 12.30	x	x	0	0
	880 042 400	Crankcase II	1		Includes 2 - 12.10	0	0	x
2	811 231 900	Bushing III (Crankcase)	1		0	0	0	0
3	809 009 010	Grease Nipple	1		0	0	0	0
4	800 808 110	Stud Bolt (8 x 29 x 14)	1		0	0	0	0
5	800 808 120	Stud Bolt (8 x 33 x 14)	1		0	0	0	0
6	804 006 030	Straight Pin (6 x 14)	4		0	0	0	0
7	060 162 030	Ball Bearing	1		0	0	0	0
8	835 201 900	Brake Heel Pin	1		0	0	0	0
9	031 012 002	Washer	1		0	0	0	0
10	022 012 000	Nut	1		0	0	0	0
11	806 715 010	Oil Seal (15.5 x 27 x 6)	1		0	0	0	0
12	811 221 910	Bushing II (Crankcase)	1		0	0	0	0
13	806 225 030	Ball Bearing	2	(806225010)	0	0	0	0
14	806 225 050	Oil Seal (25 x 52 x 12.2)	1		0	0	0	0
15	835 141 200	Spacer (Wheel Axle)	1		0	0	0	0
16	806 735 030	Oil Seal (35.5 x 52 x 9)	1		0	0	0	0
17	060 263 040	Ball Bearing	1		0	0	0	0
18	835 122 200	Wheel Axle (R)	1	E/S 4628 and after.	x	x	x	0
	835 121 900	Wheel Axle (R)	1	E/S 4627 and before.	0	0	0	0
19	063 262 040	Ball Bearing	1		0	0	0	0
20	811 401 900	Bearing Retainer	1		0	0	0	0
21	032 006 201	Spring Washer	3		0	0	0	0
22	801 106 020	Screw (6 x 16)	1		0	0	0	0
23	835 114 310	Final Driven Sprocket	1	(835114000)	x	x	0	0
	835 112 400	Final Driven Sprocket	1	(835112410)	0	0	x	x
24	803 014 030	Washer (14.5 x 31.5 x 0.8)	1	E/S 4628 and after.	x	x	x	0
	803 015 010	Washer (14)	1	E/S 4627 and before.	0	0	0	0
25	802 014 010	Nut	1	E/S 4628 and after.	x	x	x	0
	802 214 020	Castle Nut (14)	1	E/S 4627 and before.	0	0	0	0
26	051 030 280	Cotter Pin	1	E/S 4627 and before	0	0	0	0
27	031 008 002	Washer	1		0	0	0	0
28	032 008 201	Spring Washer	1		0	0	0	0
29	800 108 030	Bolt (8 x 54 x 20)	1		0	0	0	0
30	013 208 351	Stud Bolt	1		0	0	0	0

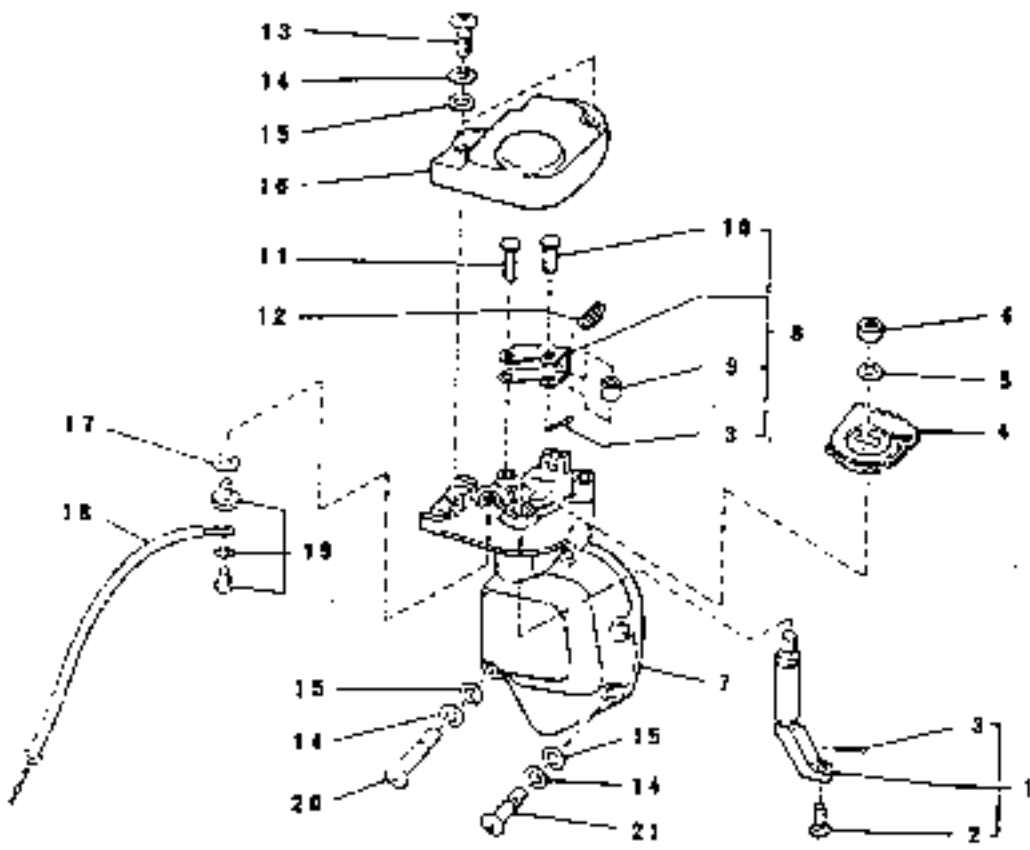




Item	Part Number	Nomenclature	Qty Req.	Remarks	A	A T	B T	
							I	II
1	830 502 600	Chaincase	1	Includes 2-5.	x	x	0	0
	830 502 400	Chaincase	1		Includes 2-5.	0	0	x
2	811 211 900	Bushing I (Crankcase)	1		0	0	0	0
3	804 006 020	Straight Plug (6 x 14)	2		0	0	0	0
4	806 915 020	"O" Ring	1		0	0	0	0
5	811 221 910	Bushing II (Crankcase)	1		0	0	0	0
6	835 011 910	Gasket (Chaincase)	1		0	0	0	0
7	807 008 010	Washer (8.5 x 22 x 0.6)	5		0	0	0	0
8	800 108 090	Bolt (8 x 32 x 26)	5	[800108010]	0	0	0	0
9	801 106 050	Screw (6 x 50 x 14)	11		0	0	0	0
10	832 006 201	Spring Washer	13		0	0	0	0
11	831 006 002	Washer	13		0	0	0	0
12	837 118 000	Gasket (Fibre)	1		0	0	0	0
13	807 018 010	Plug (18 x 10)	1		0	0	0	0
14	830 511 920	Brake Cam Shaft	1	E/F 5181 and after	x	x	x	0
	830 511 910	Brake Cam Shaft	1	E/F 5180 and before	0	0	0	0
15	835 221 900	Spacer (Brake Cam Shaft)	1		0	0	0	0
16	810 551 900	Brake Lever	1		0	0	0	0
17	831 008 002	Washer	1		0	0	0	0
18	832 008 201	Spring Washer	1		0	0	0	0
19	822 008 000	Nut	1		0	0	0	0
20	835 441 910	Oil Gage (Chaincase)	1		0	0	0	0
21	803 922 010	Gasket (22.2 x 30 x 1)	1		0	0	0	0
22	841 902 600	Gasket (Bearing Plate)	1		x	x	0	0
	841 901 900	Gasket (Bearing Plate)	1		0	0	x	x
23	840 242 600	Bearing Plate (Main Shaft)	1	Includes 24, 25.	x	x	0	0
	840 241 900	Bearing Plate (Main Shaft)	1	Includes 24, 25.	0	0	x	x
24	860 860 040	Ball Bearing	1		0	0	0	0
25	841 921 910	Bushing (Bearing Plate)	1		0	0	0	0
26	840 006 300	Screw (Round Head)	1		x	x	0	0
	801 106 010	Screw (6 x 25)	1		0	0	x	x
27	803 016 010	Washer (16 x 33 x 1.0)	1		0	0	0	0
28	816 106 181	Bolt	1		0	0	0	0
29	831 918 400	Retainer (Clutch Cable)	1		0	0	0	0
30	822 006 000	Nut	1		0	0	0	0



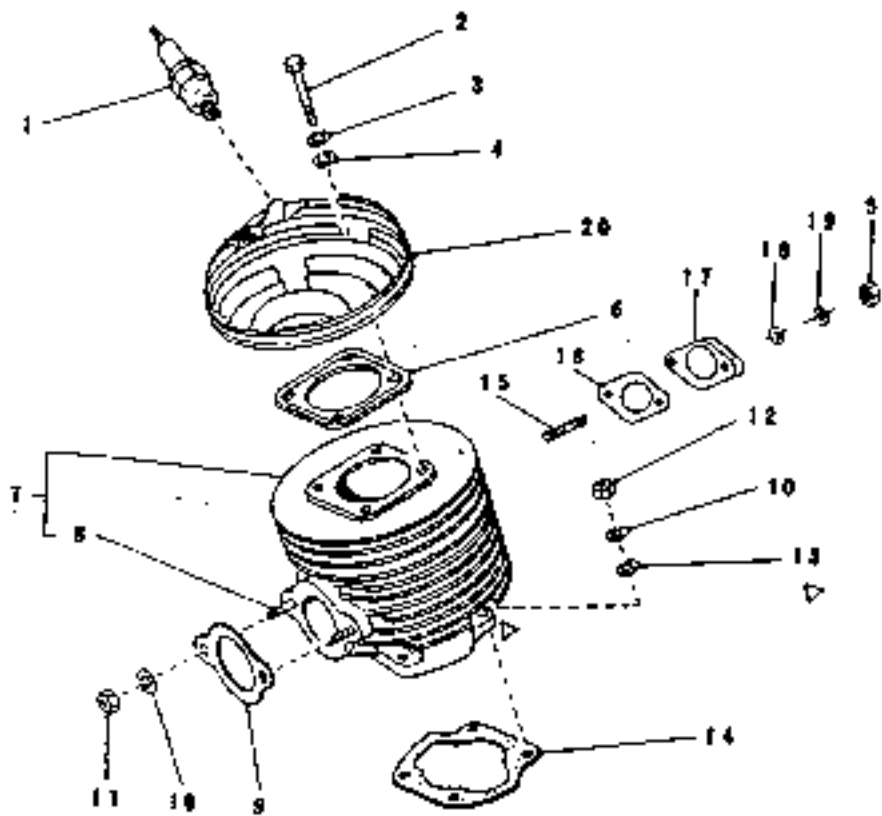
Item	Part Number	Nomenclature	Qty Req.	Remarks	A	T	B T	
							I	M
1	831 701 900	Setting Screw	1		○	○	○	○
2	012 006 201	Spring Washer	7		○	○	○	○
3	031 006 002	Washer	7		○	○	○	○
4	831 811 900	Clutch Housing Cover	1		○	○	○	○
5	831 761 900	Spring (Clutch Lever)	1		○	○	○	○
6	830 192 400	Clutch Lever	1		○	○	○	○
7	831 663 900	Release Arm (Clutch)	1		○	○	○	○
8	801 106 030	Screw (6 x 25 x 16)	6		○	○	○	○
9	835 251 900	Clamp (Brake Cable)	1		○	○	○	○
10	631 011 900	Gasket (Clutch Housing Cover)	1		○	○	○	○



TRANSMISSION COVER

Item	Part Number	Nomenclature	Qty Req.	Remarks	A	A T	B T	
							I	II
1	840 962 600	Shifter Lever	1	Includes 2, 3.	x	x	o	o
	840 961 900	Shifter Lever	1		Includes 2, 3.	o	o	x
2	842 182 600	Yoke (Shifter Arm)	1			x	x	o
	841 281 900	Yoke (Shifter Arm)	1		o	o	x	x
3	051 016 100	Cotter Pin	2		o	o	o	o
4	840 282 600	Shifter Pulley	1		x	x	o	o
	840 281 901	Shifter Pulley	1		o	o	x	x
5	032 008 201	Spring Washer	1		o	o	o	o
6	022 008 000	Nut	1		o	o	o	o
7	842 262 600	Transmission Cover	1		x	x	o	o
	842 261 900	Transmission Cover	1		o	o	x	x
8	840 932 600	Shifter Arm	1	Includes 3, 9, 10.	x	x	o	o
	840 931 900	Shifter Arm	1		Includes 3, 9, 10.	o	o	x
9	806 107 020	Roller (7 x 10)	1			o	o	o
10	842 441 900	Pin (Shifter Roller)	1	(80420+010)	o	o	o	o
11	842 451 900	Pin (Shifter Roller Retainer)	1		o	o	o	o
12	842 422 600	Spring (Shifter Roller)	1		x	x	o	o
	842 421 900	Spring (Shifter Roller)	1		o	o	x	x
13	043 006 120	Screw (Pan Head)	2		o	o	o	o
14	032 006 201	Spring Washer	6		o	o	o	o
15	031 006 002	Washer	6		o	o	o	o
16	842 502 600	Shifter Cover	1		x	x	o	o
	842 501 900	Shifter Cover	1		o	o	x	x
17	803 012 020	Washer (12 x 22 x 0.6)	1		x	x	o	o
18	820 762 600	Cord (Neutral Switch)	1		x	x	o	o
19	820 752 600	Neutral Switch	1		x	x	o	o
20	801 106 060	Screw (6 x 36 x 15)	1		o	o	o	o
21	801 106 070	Screw (6 x 46 x 15)	3		x	x	o	o
	801 106 040	Screw (6 x 36)	3		o	o	x	x

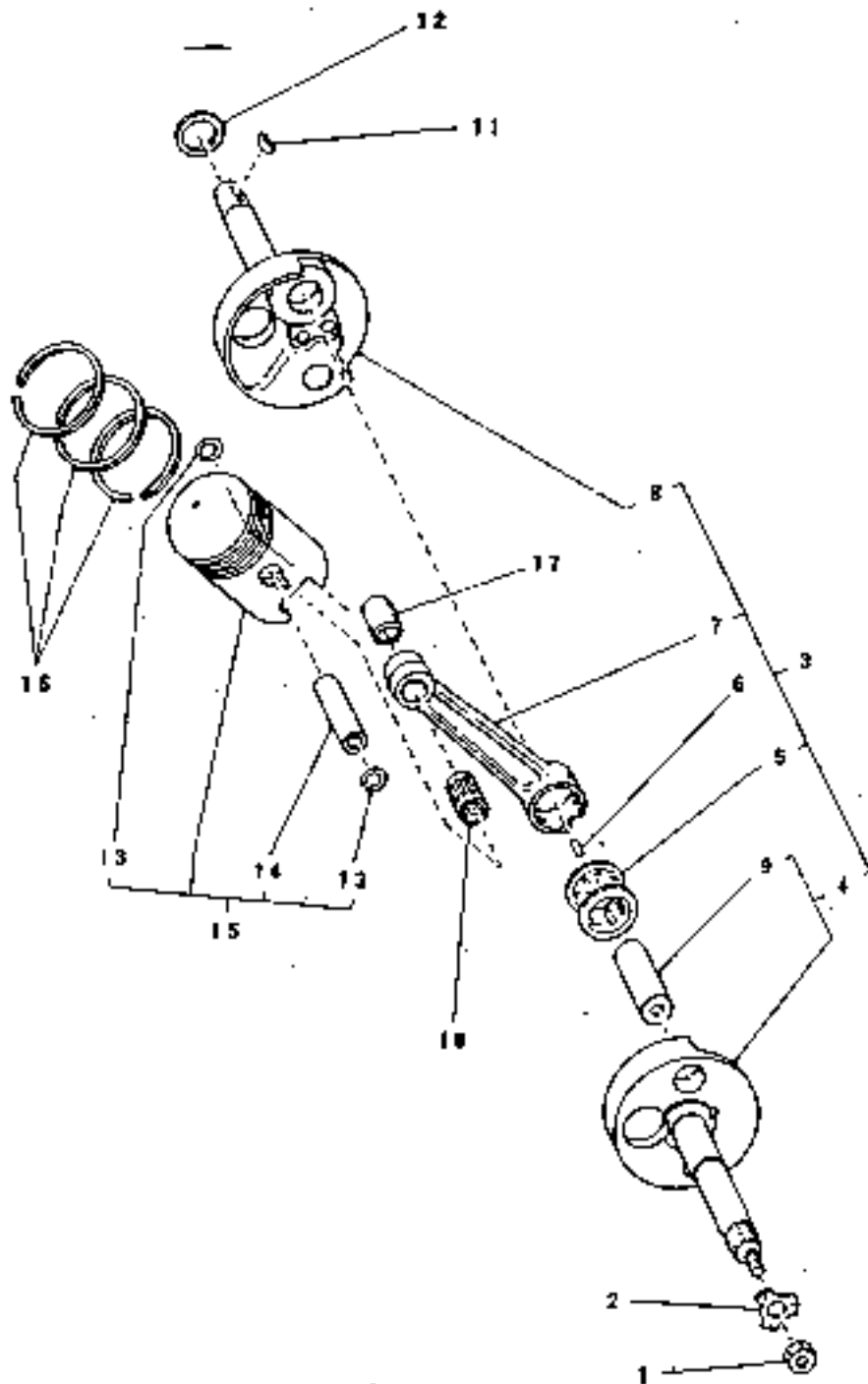
# CYLINDER & CYLINDER HEAD



**CYLINDER & CYLINDER HEAD**

Item	Part Number	Nomenclature	Qty Req.	Remarks	A		B		T	
					A	T	I	U	I	U
1	820 542 200	Spark Plug	1	(820540100)	○	○	○	○	○	○
2	800 206 010	Bolt (6 x 35 x 16)	4		○	○	○	○	○	○
3	032 006 201	Spring Washer	4		○	○	○	○	○	○
4	031 006 002	Washer	4		○	○	○	○	○	○
5	022 006 000	Nut	2		○	○	○	○	○	○
6	812 302 400	Gasket (Cylinder Head)	1		○	○	x	x		
7	810 202 601	Cylinder	1	Includes 8.	x	x	○	○		
	810 202 401	Cylinder	1	Includes 8, 15.	○	○	x	x		
8	013 108 2&1	Stud Bolt	2		○	○	○	○	○	○
9	822 201 900	Gasket (Exhaust Pipe)	1		○	○	○	○	○	○
10	032 008 201	Spring Washer	6		○	○	○	○	○	○
11	802 008 030	Nut (8 x 8)	2		○	○	○	○	○	○
12	022 008 000	Nut	4		○	○	○	○	○	○
13	031 008 002	Washer	1	Used only on Δ note.	○	○	○	○	○	○
14	812 012 600	Gasket (Cylinder)	1		x	x	○	○		
	812 011 900	Gasket (Cylinder)	1		○	○	x	x		
15	014 106 351	Stud Bolt	2	(014108351)	○	○	x	x		
16	822 101 900	Gasket	1		○	○	x	x		
17	822 121 900	Heat Insulator	1		○	○	x	x		
18	031 006 002	Washer	2		○	○	x	x		
19	032 006 201	Spring Washer	2		○	○	x	x		
20	812 352 603	Cylinder Head	1		x	x	○	○		
	812 352 400	Cylinder Head	1		○	○	x	x		





## PISTON & CRANKSHAFT

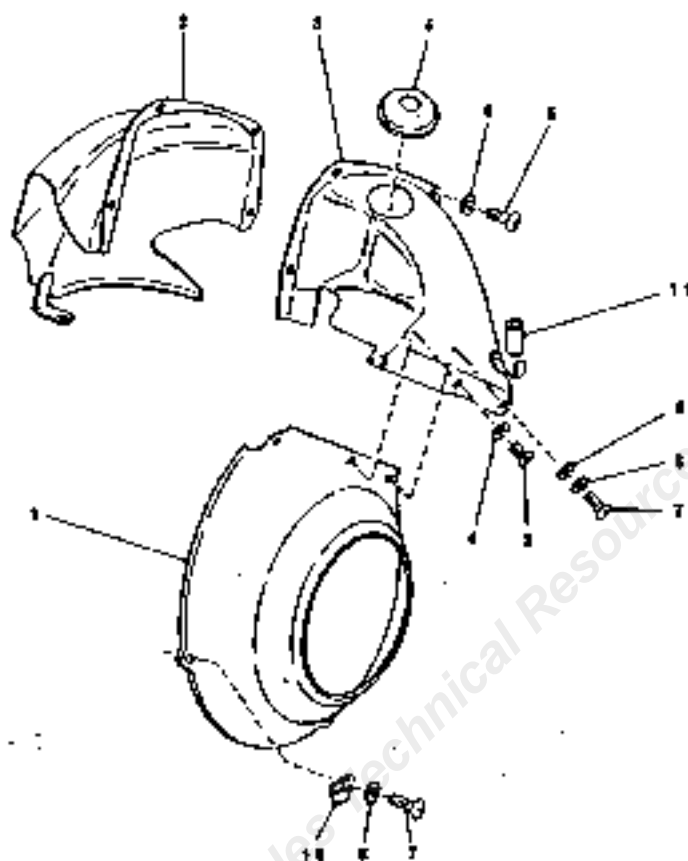
Item	Part Number	Nomenclature	Qty Req.	Remarks	A	A T	B T	
							I	II
1	802 012 010	Nut (12 x 10)	1		○	○	○	○
2	803 512 010	Lock Washer (12.5 x 21 x 1.3)	1		○	○	○	○
3	810 302 600	Crankshaft Assembly	1	Consists of 4 ~ 8.	x	x	○	○
	810 302 400	Crankshaft Assembly	1	Consists of 4 ~ 8.	○	○	x	x
	810 802 600	Crankshaft II Complete	1	Includes 9.	x	x	○	○
4	813 022 400	Crankshaft II	1		○	○	x	x
	813 301 910	Roller Retainer	1		x	x	○	○
5	813 302 400	Roller Retainer	1		○	○	x	x
	806 104 020	Roller (4 x 10)	10		x	x	○	○
	806 104 030	Roller (4)	13		○	○	x	x
6	813 342 600	Connecting Rod	1		x	x	○	○
	813 342 401	Connecting Rod	1	(810942400) See Note. 1	○	○	x	x
7	810 872 600	Crankshaft	1		x	x	○	○
	813 012 400	Crankshaft	1		○	○	x	x
8	813 101 910	Crankpin	1		x	x	○	○
	813 102 400	Crankpin	1		○	○	x	x
9	806 416 010	Needle Bearing (16 x 20 x 21.8)	1	See Note. 2	○	○	○	○
10	053 204 201	Woodruff Key	2		○	○	○	○
11	803 027 011	Washer (27 x 35 x 0.10)	0-2		○	○	○	○
	803 027 012	Washer (27 x 35 x 0.20)		○	○	○	○	
	803 027 013	Washer (27 x 35 x 0.29)		○	○	○	○	
12	805 316 010	Circlip (Inner-16)	2		○	○	○	○
13	813 502 402	Piston Pin	1		○	○	○	○
14	880 051 300	Piston Set "STD"	1	4880052610 Includes 13, 14.	x	x	○	○
	880 052 400	Piston Set "STD"	1	Includes 13, 14.	○	○	x	x
15	880 032 600	Piston Ring Set "STD"	1		○	○	○	○
16	813 362 400	Bushing	1	For 810942400 Connecting Rod	○	○	x	x

- Note 1: 810942400 Connecting Rod is not available. Use 813342401 Connecting Rod together with  
 806416010 Needle Bearing.
- 2: 806416010 Needle Bearing cannot be used on 810942400 Connecting Rod.

## OVERSIZE PISTON & PISTON RING

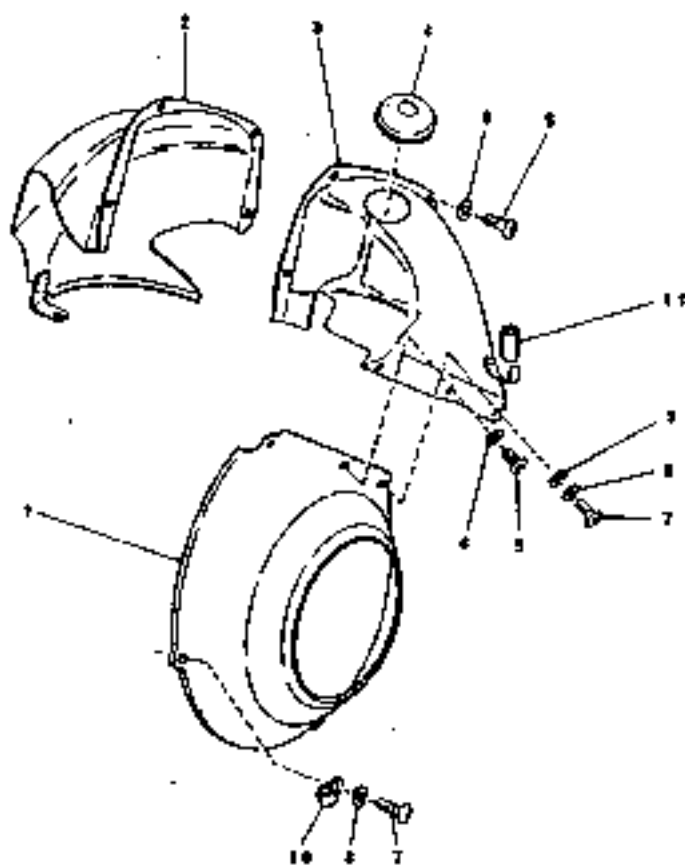
Item	Part Number	Nomenclature	Qty Req.	Remarks	A	A T	B T	
							I	II
	880 054 311	Piston Set "0.04 OS"	1	(880052611) Includes 13, 14.	x	x	o	o
	880 052 401	Piston Set "0.04 OS"	1	Includes 13, 14.	o	o	x	x
	880 054 312	Piston Set "0.25 OS"	1	(880052612) Includes 13, 14.	x	x	o	o
	880 052 402	Piston Set "0.25 OS"	1	Includes 13, 14.	o	o	x	x
	880 054 313	Piston Set "0.50 OS"	1	(880052613) Includes 13, 14.	x	x	o	o
	880 052 403	Piston Set "0.50 OS"	1	Includes 13, 14.	o	o	x	x
	880 054 314	Piston Set "0.75 OS"	1	(880052614) Includes 13, 14.	x	x	o	o
	880 052 404	Piston Set "0.75 OS"	1	Includes 13, 14.	o	o	x	x
	880 054 315	Piston Set "1.00 OS"	1	(880052615) Includes 13, 14.	x	x	o	o
	880 052 405	Piston Set "1.00 OS"	1	Includes 13, 14.	o	o	x	x
	880 054 316	Piston Set "1.25 OS"	1	(880052616) Includes 13, 14.	x	x	o	o
	880 052 406	Piston Set "1.25 OS"	1	Includes 13, 14.	o	o	x	x
	880 032 601	Piston Ring Set "0.125 OS"	1		o	o	o	o
	880 032 602	Piston Ring Set "0.250 OS"	1		o	o	o	o
	880 032 603	Piston Ring Set "0.500 OS"	1		o	o	o	o
	880 032 604	Piston Ring Set "0.750 OS"	1		o	o	o	o
	880 032 605	Piston Ring Set "1.000 OS"	1		o	o	o	o
	880 032 606	Piston Ring Set "1.250 OS"	1		o	o	o	o

# FAN COVER



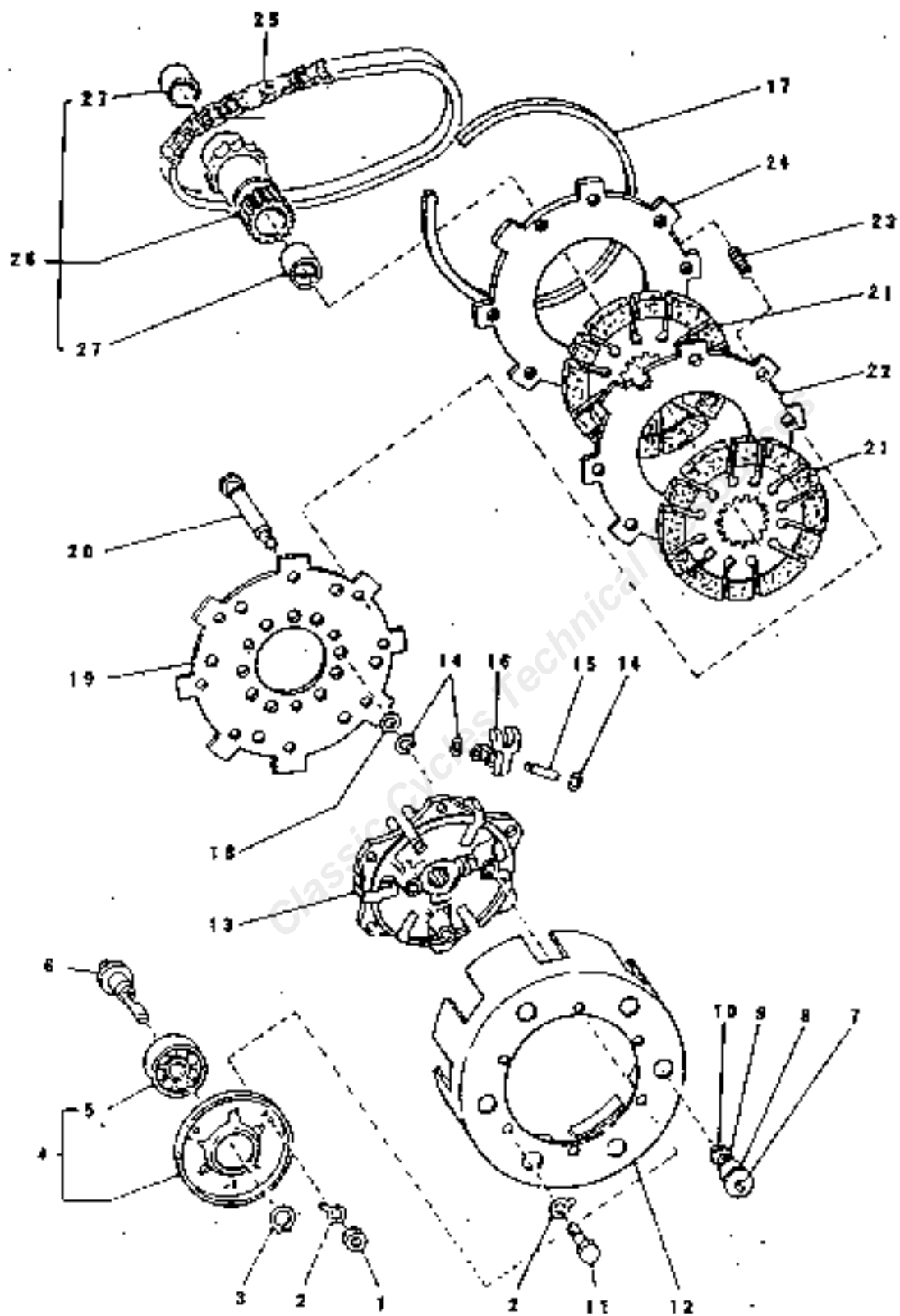
Item	Part Number	Nomenclature	Qty Req.	Remarks	A	A	B I	
							I	II
1	810 621 900	Fan Cover	1		○	○	○	○
2	810 652 200	Shroud II	1		×	×	○	○
	810 652 400	Shroud II	1		○	○	×	×
3	810 642 200	Shroud I	1		×	×	○	○
	810 642 410	Shroud I	1	E/f 1664 and after.	○	○	×	×
4	817 021 910	Sealing	1		○	○	○	○
5	040 005 080	Screw (Round Head)	5		○	○	○	○
6	031 005 002	Washer	5		○	○	○	○
7	801 106 010	Screw (6 x 12)	4		○	○	○	○
8	032 006 201	Spring Washer	4		○	○	○	○
9	031 006 002	Washer	3		○	○	○	○
10	242 011 900	Clamp	1		○	○	○	○
11	817 011 900	Vinyl Pipe	1		○	○	○	○

# FAN COVER



Item	Part Number	Nomenclature	Qty Req.	Remarks	A	A T	B I	
							I	II
1	810 621 900	Fan Cover	1		○	○	○	○
2	810 652 200	Shroud II	1		x	x	○	○
	810 652 400	Shroud II	1		○	○	x	x
3	810 642 200	Shroud I	1		x	x	○	○
	810 642 410	Shroud I	1	E/F 1664 and after.	○	○	x	x
4	817 021 910	Sealing	1		○	○	○	○
5	040 005 080	Screw (Round Head)	5		○	○	○	○
6	031 006 002	Washer	5		○	○	○	○
7	801 106 010	Screw (6 x 12)	4		○	○	○	○
8	032 006 201	Spring Washer	4		○	○	○	○
9	031 006 002	Washer	3		○	○	○	○
10	822 011 900	Clamp	1		○	○	○	○
11	817 011 900	Vinyl Pipe	1		○	○	○	○

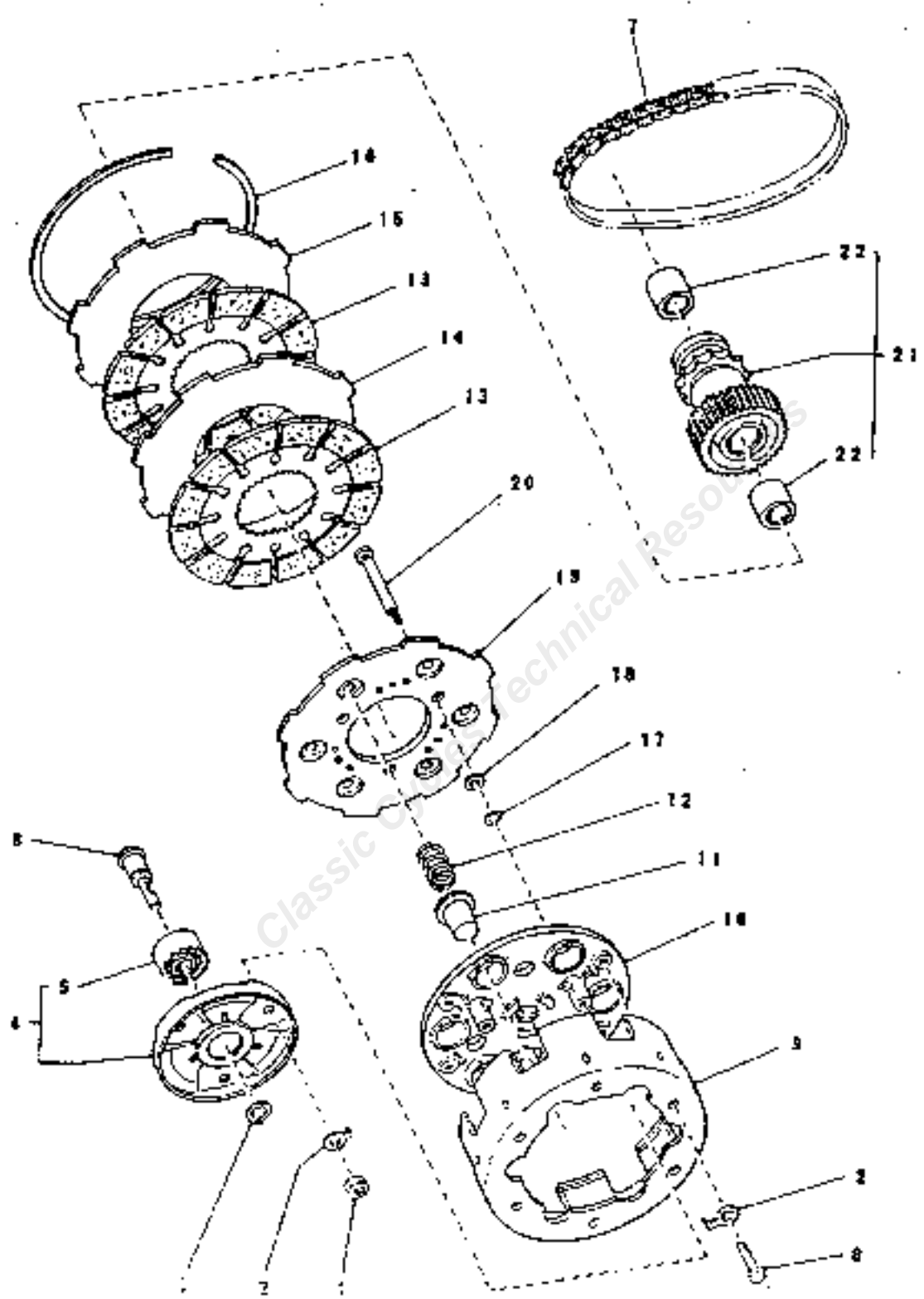
# CLUTCH (S402A, S402AT)



CLUTCH (S402A, S402AT)

Item	Part Number	Description	Qty Req.	Remarks	A		B T	
					A	T	I	II
1	021 005 000	Nut	3		○	○	○	○
2	803 505 010	Lock Washer (5.5 x 14 x 0.6)	9		○	○	○	○
3	805 015 010	Snap Ring (Outer-15)	1		○	○	○	○
4	830 991 900	Release Bearing Holder	1	Includes 5.	○	○	x	x
5	060 162 020	Ball Bearing	1		○	○	○	○
6	831 561 910	Release Piece (Clutch)	1		○	○	○	○
7	831 271 910	Screw	6		○	○	x	x
8	831 261 920	Spring Retainer II	6		○	○	x	x
9	831 252 400	Spring (Pressure Plate)	6		○	○	x	x
10	831 241 910	Spring Retainer I	6		○	○	x	x
11	016 305 101	Bolt	6		○	○	○	○
12	831 341 900	Clutch Drum	1		○	○	x	x
13	830 142 200	Clutch Drive Plate	1	(830141910)	○	○	x	x
14	805 207 010	Snap Ring (Outer-7)	15		○	○	○	○
15	831 311 900	Pin (Clutch Weight)	6		○	○	x	x
16	831 301 910	Clutch Weight	6		○	○	x	x
17	641 251 900	Primary Chain	1		○	○	○	○
18	803 007 010	Washer (7.0 x 12 x 1.0)	3		○	○	○	○
19	831 201 910	Pressure Plate I	1		○	○	x	x
20	831 461 900	Release Bolt (Clutch)	3		○	○	x	x
21	830 122 200	Clutch Disc	2		○	○	x	x
22	831 211 900	Pressure Plate II	1		○	○	x	x
23	831 482 400	Release Spring (Clutch)	8		○	○	x	x
24	831 221 900	Pressure Plate III	1		○	○	x	x
25	831 231 900	Stopper (Pressure Plate)	1		○	○	○	○
26	840 132 400	Primary Drive Sprocket	1	Includes 27.	○	○	x	x
27	841 232 400	Bushing	2		○	○	x	x
	839 992 200	Clutch Assembly	1	Consists of 2 x 3, 7 - 16, 18 - 25	○	○	x	x

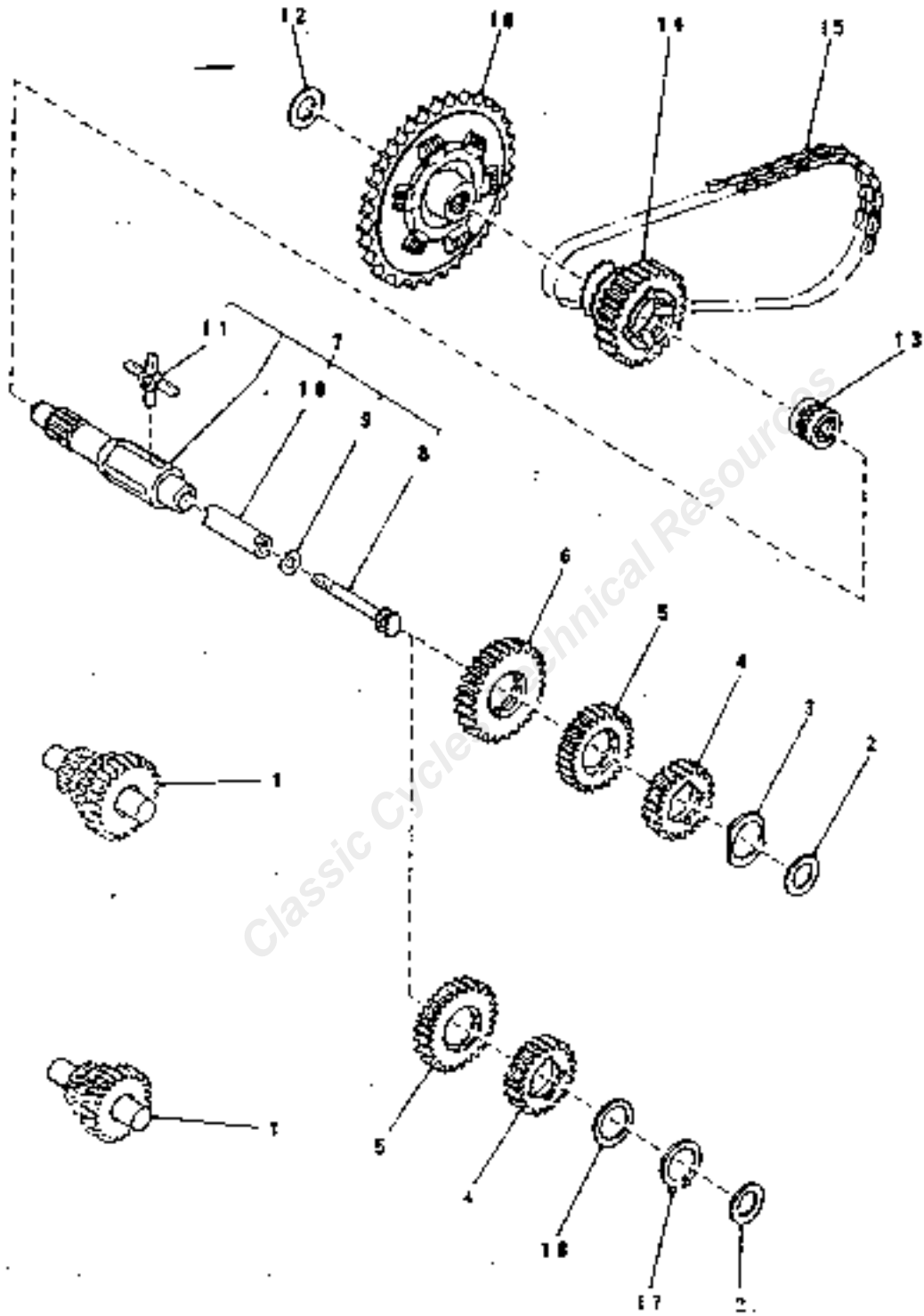
# CLUTCH (S402BT, S402BT-II)





Item	Part Number	Nomenclature	Qty Req.	Remarks	A	A T	B T	
							I	II
1	021 005 000	Nut	3		○	○	○	○
2	803 505 030	Lock Washer (5.5 x 14 x 0.6)	9	(#03505010)	○	○	○	○
3	805 015 010	Snap Ring (Outer-15)	1		○	○	○	○
4	830 992 600	Release Bearing Holder	1	Includes 5.	x	x	○	○
5	060 162 020	Ball Bearing	1		○	○	○	○
6	831 561 910	Release Piece (Clutch)	1		○	○	○	○
7	841 251 900	Primary Chain	1		○	○	○	○
8	016 305 101	Bolt	6		○	○	○	○
9	831 342 600	Clutch Drum	1		x	x	○	○
10	830 142 600	Clutch Drive Plate	1		x	x	○	○
11	831 262 600	Spring Retainer	6		x	x	○	○
12	831 252 600	Spring (Pressure Plate)	6		x	x	○	○
13	830 122 600	Clutch Disc	2		x	x	○	○
14	831 212 600	Pressure Plate II	1		x	x	○	○
15	831 222 600	Pressure Plate III	1		x	x	○	○
16	831 231 900	Stopper (Pressure Plate)	1		○	○	○	○
17	805 207 010	Snap Ring (Outer-7)	3		○	○	○	○
18	803 007 010	Washer (7.0 x 12 x 1.0)	1		○	○	○	○
19	831 202 600	Pressure Plate I	1		x	x	○	○
20	831 462 600	Release Bolt (Clutch)	3		x	x	○	○
21	840 132 600	Primary Drive Sprocket	1	Includes 22.	x	x	○	○
22	841 232 400	Bushing	2		x	x	○	○
	839 992 600	Clutch Assembly	1	Consists of 2 x 6, 8 - 20	x	x	○	○

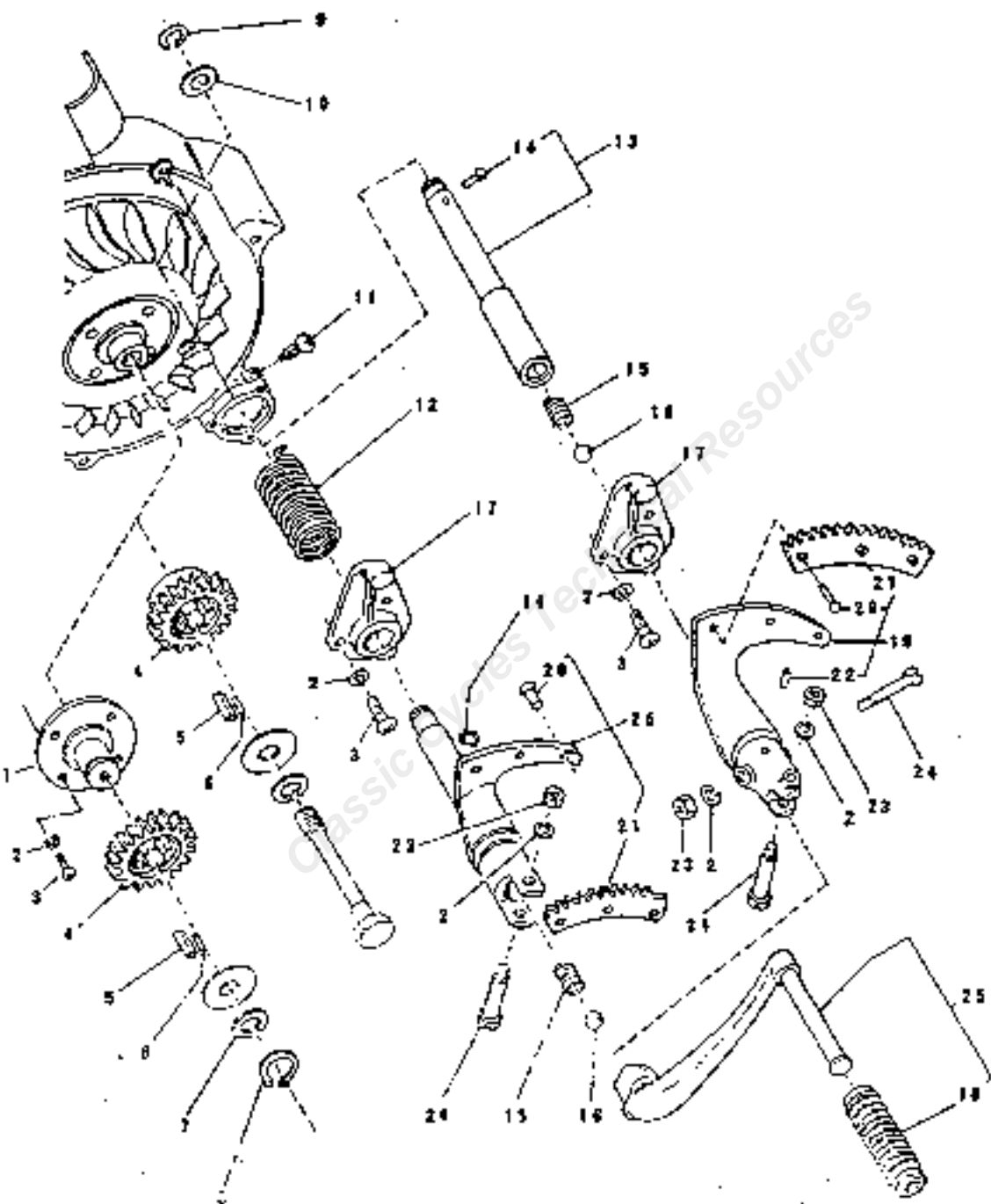
# TRANSMISSION



# TRANSMISSION

Item	Part Number	Nomenclature	Qty Req.	Remarks	A		B	
					A	T	I	U
1	840 172 600	Counter Gear	1		x	x	o	o
	840 171 900	Counter Gear	1		o	o	x	x
2	803 021 010	Washer (21 x 30 x 0.2)	0-2	(803021000)	o	o	o	o
3	803 029 011	Washer	1		x	x	o	o
4	841 442 600	First Driven Gear	1		x	x	o	o
	841 441 900	First Driven Gear	1		o	o	x	x
5	841 472 600	Second Driven Gear	1		x	x	o	o
	841 471 900	Second Driven Gear	1		o	o	x	x
6	841 502 600	Third Driven Gear	1		x	x	o	o
7	840 902 600	Main Shaft Complete	1	Includes 8 - 11.	x	x	o	o
	840 902 200	Main Shaft Complete	1	Includes 8 - 11.	o	o	x	x
8	841 872 600	Rod (Shifter Claw)	1		x	x	o	o
	841 871 900	Rod (Shifter Claw)	1		o	o	x	x
9	803 006 070	Washer (6.8 x 16.5 x 0.8)	1		x	x	o	o
	803 006 040	Washer	1		o	o	x	x
10	841 862 600	Spacer (Rod)	1		x	x	o	o
	841 861 900	Spacer (Rod)	1		o	o	x	x
11	841 852 600	Shifter Claw	1		x	x	o	o
	841 852 200	Shifter Claw	1		o	o	x	x
12	803 017 010	Washer (17.5 x 26 x 1)	1		o	o	o	o
13	806 420 010	Needle Bearing (20 x 26 x 20)	1		o	o	o	o
14	841 544 300	Secondary Drive Sprocket	1		x	x	o	o
	841 542 300	Secondary Drive Sprocket	1		o	o	x	x
15	835 104 300	Secondary Chain	1		x	x	o	o
	835 101 900	Secondary Chain	1		o	o	x	x
16	840 142 200	Primary Drive Sprocket	1		o	o	o	o
17	805 027 010	Snap Ring	1		o	o	x	x
18	803 127 010	Washer	1		o	o	x	x

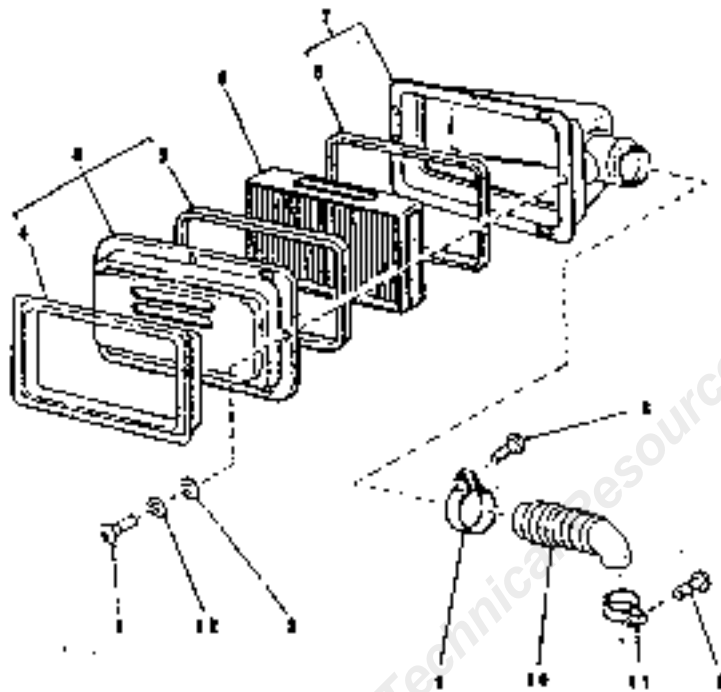
# KICK STARTER



# KICK STARTER

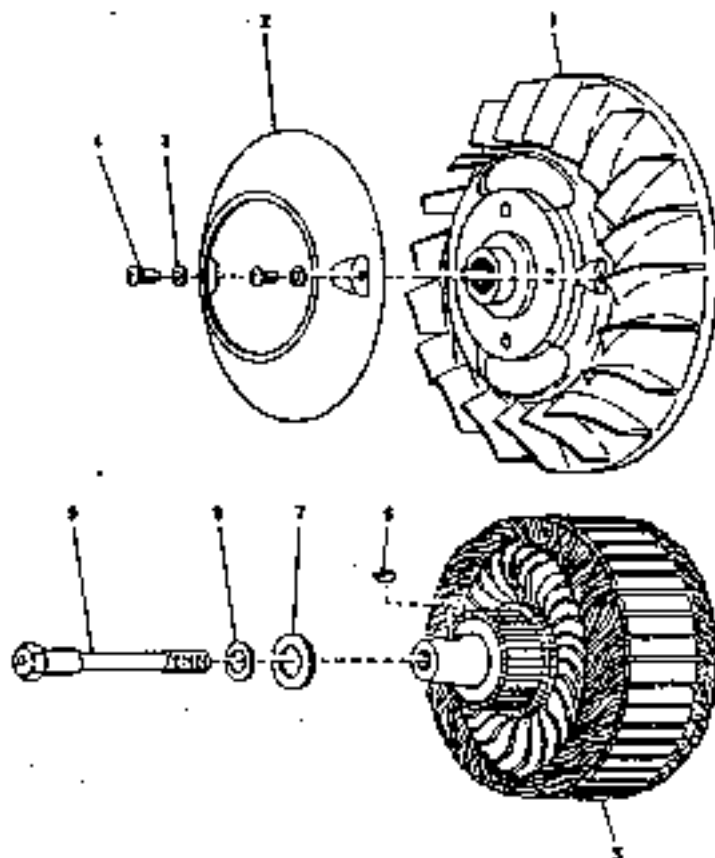
Item	Part Number	Nomenclature	Qty Req.	Remarks	A	A T	B I
1	826 021 900	Pinion Shaft	1	E/F 5952 and before.	○	○	○
2	032 006 201	Spring Washer	5		○	○	○
3	801 106 020	Screw (6 x 16)	3		○	○	○
4	826 132 200	Kick Pinion	1	E/F 5953 and after.	x	x	x
	826 131 900	Kick Pinion	1	E/F 5952 and before.	○	○	○
5	826 111 900	Roller Retainer	5		○	○	○
6	806 104 040	Roller (4.5 x 9.8)	5		○	○	○
7	803 023 010	Washer (23 x 38 x 10)	1	E/F 5952 and before.	○	○	○
8	803 023 010	Snap Ring (Outer-23)	1	E/F 5952 and before.	○	○	○
9	803 015 010	Snap Ring (Outer-15)	1		○	○	○
10	803 015 020	Washer (15.5 x 25 x 0.5)	1-2		○	○	○
11	826 331 910	Bolt	1	C/F 6799 and after.	x	x	x
	826 331 900	Screw	1	C/F 6798 and before.	○	○	○
12	826 321 900	Kick Spring	1		○	○	○
13	820 631 910	Shaft (Kick Arm)	1	Includes 14.	○	○	○
14	804 205 010	Clevis Pin (5 x 13)	1	C/F 6798 and before.	○	○	○
15	826 341 900	Spring (Kick Arm)	1		○	○	○
16	806 009 010	Steel Ball (9.525)	1		○	○	○
17	826 351 910	Kick Stopper	1		○	○	○
18	826 282 200	Kick Pedal Cover	1	1826281900	○	○	○
19	820 611 900	Kick Gear Complete	1	Includes 20 - 22.	○	○	○
20	038 250 160	Rivet	3		○	○	○
21	826 201 900	Kick Gear	1		○	○	○
22	804 304 010	Straight Pin (4 x 7)	1	C/F 6798 and before.	○	○	○
23	022 006 000	Nut	2		○	○	○
24	804 208 010	Pin (8 x 39)	1		○	○	○
25	820 622 200	Kick Arm	1	(820621900) Includes 18.	○	○	○
26	820 631 920	Shaft Complete (Kick Arm)	1	Includes 20, 21. C/F 6799 and after.	x	x	x

# AIR CLEANER



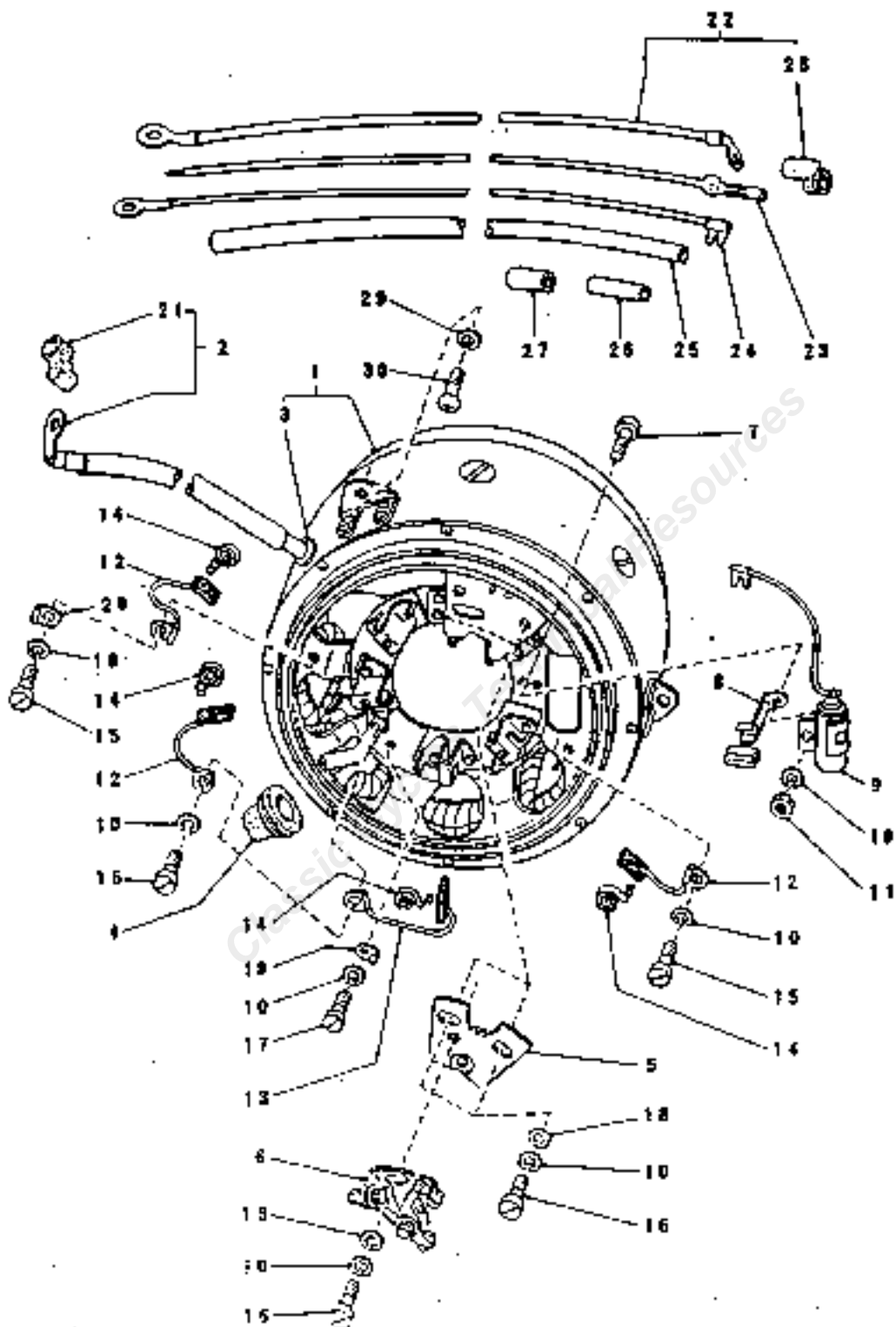
Item	Part Number	Nomenclature	Q'ty Req.	Remarks	A		B T	
					Y	U	J	U
1	040 005 120	Screw (Round Head)	4		□	□	□	□
2	031 005 002	Washer	4		□	□	□	□
3	820 172 200	Air Cleaner Case Cover	1	Includes 4, 5 x 1, C/# 6329 and after.	x	x	x	□
	820 171 900	Air Cleaner Case Cover	1	Includes 4, 5 x 1, C/# 6328 and before.	□	□	□	□
4	821 631 910	Sealing (Air Cleaner)	1	C/# 6329 and after.	x	x	x	□
	821 631 900	Sealing (Air Cleaner)	1	C/# 6328 and before.	□	□	□	□
5	821 621 900	Gasket (Air Cleaner)	2		□	□	□	□
6	821 451 900	Element (Air Cleaner)	1		□	□	□	□
7	820 192 210	Air Cleaner Case	1	Includes 5 x 1, C/# 6329 and after.	x	x	x	□
	820 192 200	Air Cleaner Case	1	Includes 5 x 1, C/# 6328 and before.	x	x	□	□
	820 151 900	Air Cleaner Case	1	Includes 5 x 1.	□	□	x	x
8	040 004 200	Screw (Round Head)	2		□	□	□	□
9	620 141 900	Hose Clamp II	1		□	□	□	□
10	621 701 200	Hose (Air Cleaner)	1		-	-	□	□
	621 711 400	Hose (Air Cleaner)	1		□	□	-	-
11	621 111 200	Hose Clamp I	1		□	□	-	-
	612 4 9 231	Spraying Washer	1		-	-	-	-

# STARTER DYNAMO (A)



Item	Part Number	Nomenclature	Qty Req.	Remarks	A		B T	
					A	T	I	II
	829 922 600	Starter Dynamo Assembly	1	Consists of (A) & (B). E/P 5953 and after.	x	x	x	0
	829 921 910	Starter Dynamo Assembly	1	Consists of (A) & (B). E/P 1664 - E/P 5952	0	0	0	0
1	896 001 915	Fan	1	E/P 5953 and after.	x	x	x	0
	896 001 905	Fan	1	E/P 5952 and before.	0	0	0	0
2	896 021 905	Cover	1		0	0	0	0
3	032 004 201	Spring Washer	2		0	0	0	0
4	040 004 080	Screw	2		0	0	0	0
5	896 011 905	Armature	1		0	0	0	0
6	896 311 905	Woodruff Key	1		0	0	0	0
7	896 322 205	Washer	1	C/P 5953 and after.	x	x	x	0
	896 321 905	Washer	1	C/P 5952 and before.	0	0	0	0
8	032 010 201	Spring Washer	1	C/P 5953 and after.	x	x	x	0
	032 008 201	Spring Washer	1	C/P 5952 and before.	0	0	0	0
9	896 592 205	Bolt	1	C/P 5953 and after.	x	.	.	0
	896 301 905	Bolt	1	C/P 5952 and before.	0	0	0	0

# STARTER DYNAMO (B)

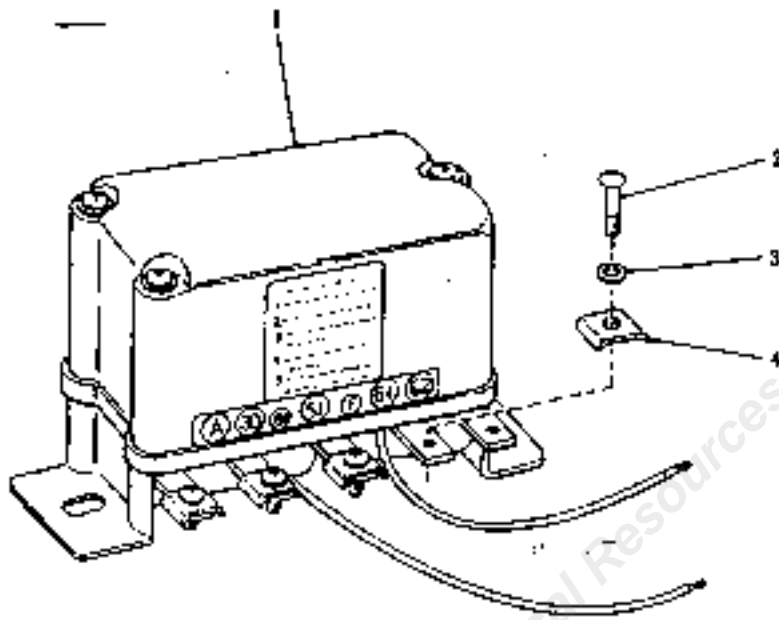




## STARTER DYNAMO (B)

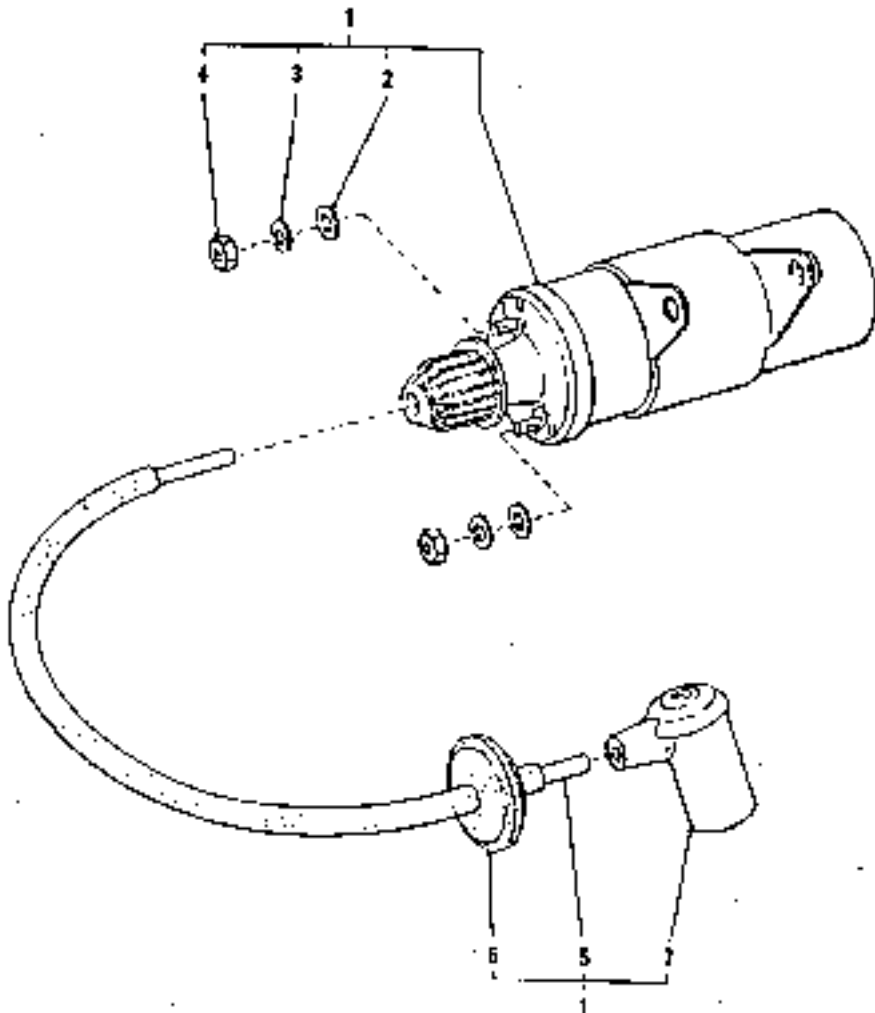
Item	Part Number	Nomenclature	Qty Req.	Remarks	A	A T	B T	
							I	II
1	896 032 305	Stator	1	Includes 2-28. C/# 1664 and after.	0	0	0	0
2	896 121 905	Wire	1	Includes 21, C/# 1664 and after.	0	0	0	0
3	896 201 905	Commuter	1		0	0	0	0
4	896 211 905	Commuter	1		0	0	0	0
5	896 081 905	Plate	1		0	0	0	0
6	896 091 905	Contact Breaker	1		0	0	0	0
7	044 004 080	Screw (Flat Head)	1		0	0	0	0
8	896 221 905	Stay	1		0	0	0	0
9	896 132 205	Condenser	1		0	0	0	0
10	032 004 201	Spring Washer	3		0	0	0	0
11	022 004 000	Nut	1		0	0	0	0
12	896 051 905	Brush (A)	3		0	0	0	0
13	896 061 905	Brush (B)	1		0	0	0	0
14	896 071 905	Spring (Brush)	4		0	0	0	0
15	044 004 060	Screw (Flat Head)	2		0	0	0	0
16	044 004 080	Screw (Flat Head)	4		0	0	0	0
17	896 381 905	Screw	1		0	0	0	0
18	031 104 001	Washer	3		0	0	0	0
19	896 231 905	Stay	1		0	0	0	0
20	896 241 905	Stay	1		0	0	0	0
21	896 251 905	Rubber Cap	1	E/# 1664 and after.	0	0	0	0
22	896 142 205	Wire (G)	1	Includes 28. E/# 1664 and after.	0	0	0	0
23	896 152 205	Wire (F)	1	E/# 1664 and after.	0	0	0	0
24	896 162 205	Wire (H)	1	E/# 1664 and after.	0	0	0	0
25	896 172 205	Tube	1		0	0	0	0
26	896 181 905	Tube	1		0	0	0	0
27	896 191 905	Tube	1		0	0	0	0
28	896 262 205	Rubber Cap	1		0	0	0	0
29	032 006 000	Spring Washer	3		0	0	0	0
30	801 106 020	Screw (6 x 16 x 14)	3		0	0	0	0

# REGULATOR



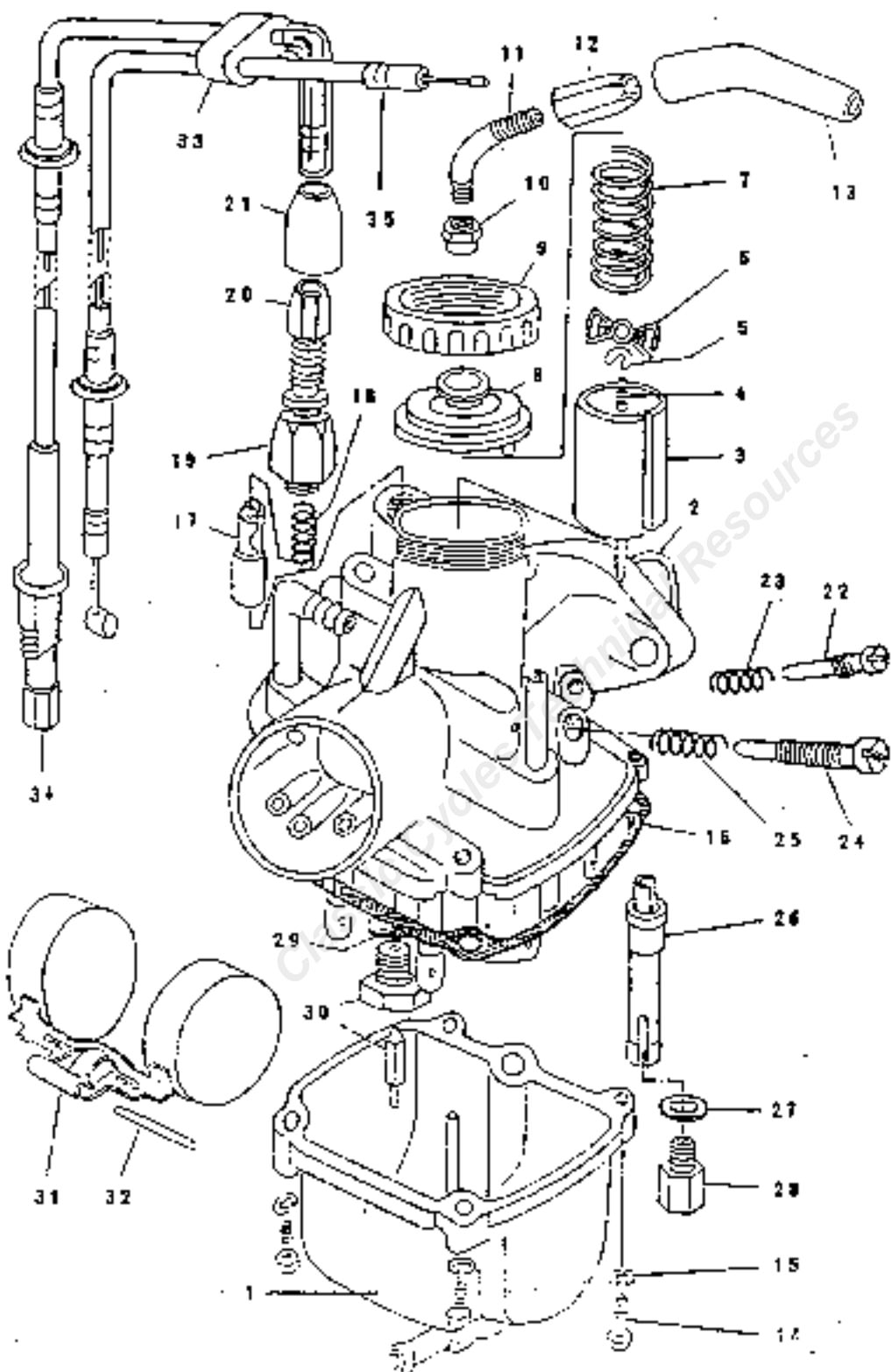
Q'ty	Part Number	Nomenclature	Q'ty Req.	Remarks	A		E T	
					A	T	I	U
1	629 831 900	Regulator	1	Includes 2-4.	0	0	0	0
5	043 005 080	Screw (Pan Head)	5		0	0	0	0
5	032 005 201	Spring Washer	5		0	0	0	0
5	846 411 903	Lock Washer	5		0	0	0	0

# IGNITION COIL



Item	Part Number	Nomenclature	Qty Req.	Remarks				
					A	A T	R	T II
1	829 831 900	Cord and Ignition Coil	1	Includes 2 ~ 7.	○	○	○	○
2	031 005 002	Washer	2		○	○	○	○
3	032 005 201	Spring Washer	2		○	○	○	○
4	022 005 000	Nut	2		○	○	○	○
5	825 711 900	High Tension Cord	1		○	○	○	○
6	825 811 900	Crummies IV	1		○	○	○	○
7	825 851 600	Spark Plug Cap	1		○	○	○	○

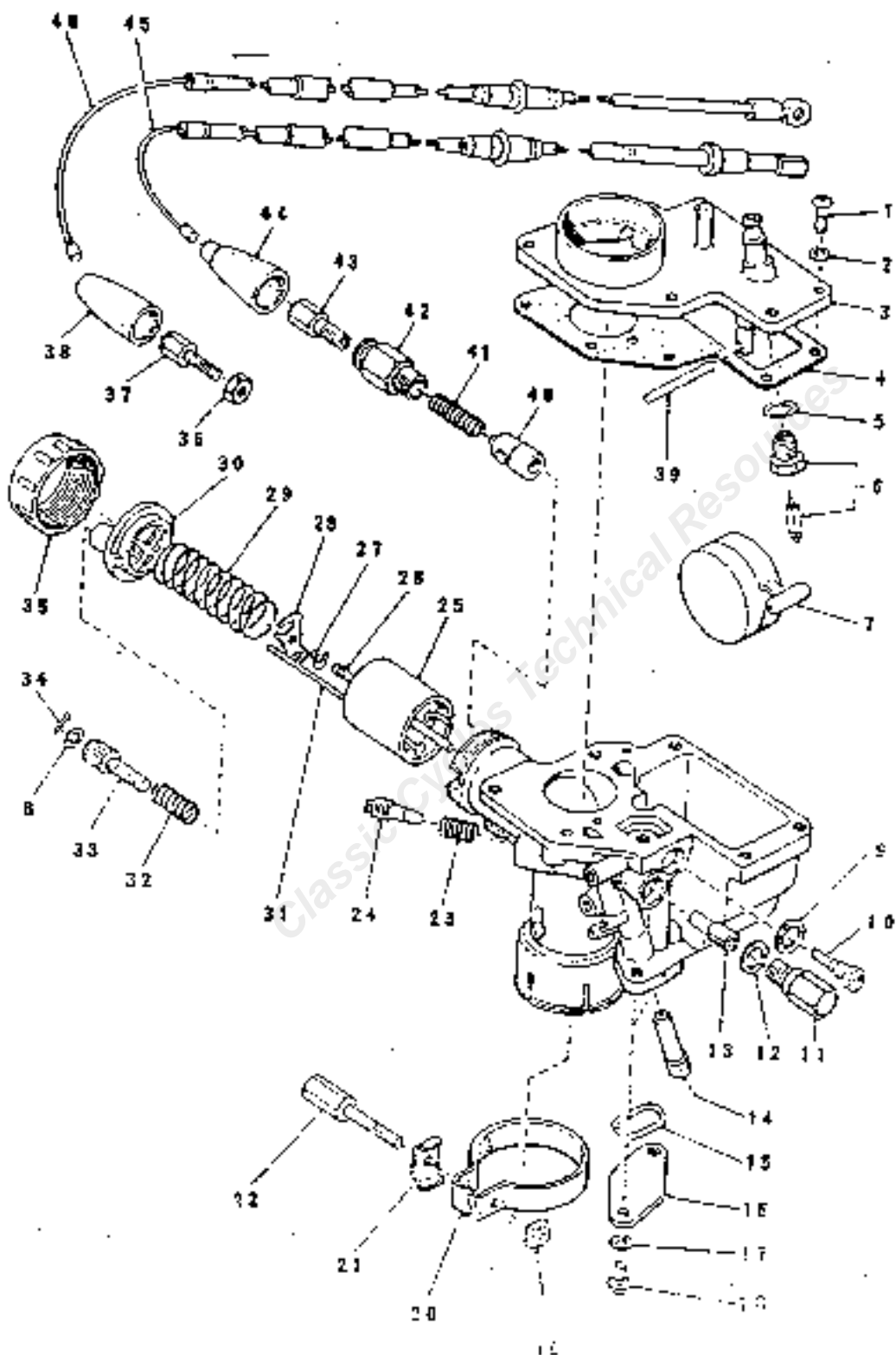
# CARBURETOR (S402A, S402AT)



## CARBURETOR (S402A, S402AT)

Item	Part Number	Nomenclature	Qty Req.	Remarks	A	A	B T	
							I	M
	829 222 400	Carburetor Assembly	1	Includes 1 - 35.	○	○	x	x
1	894 021 903	Float Chamber Body	1		○	○	x	x
2	894 231 903	"O" Ring	1		○	○	x	x
3	894 062 403	Throttle Valve (1.5)	1		○	○	x	x
4	894 072 403	Jet Needle	1		○	○	x	x
5	894 212 203	Clip (Jet Needle)	1		○	○	○	○
6	894 222 203	Circlip	1		○	○	○	○
7	894 102 203	Spring (Throttle Valve)	1		○	○	○	○
8	894 261 903	Mixing Chamber Top	1		○	○	x	x
9	894 112 203	Mixing Chamber Cap	1		○	○	○	○
10	894 351 901	Lock Nut	1		○	○	x	x
11	894 361 903	Cable Guide	1		○	○	x	x
12	894 371 903	Cable Adjuster	1		○	○	x	x
13	894 381 903	Rubber Cap	1		○	○	x	x
14	043 004 140	Screw	4		○	○	x	x
15	022 004 201	Spring Washer	4		○	○	○	○
16	894 081 903	Packing	1		○	○	x	x
17	894 161 903	Starter Plunger	1		○	○	x	x
18	894 171 903	Return Spring	1		○	○	x	x
19	894 181 903	Spring Guide	1		○	○	x	x
20	894 121 903	Cable Adjuster	1		○	○	x	x
21	894 312 203	Rubber Cap	1		○	○	○	○
22	894 112 403	Pilot Air Screw	1		○	○	x	x
23	894 192 203	Spring (Pilot Air Screw)	1		○	○	○	○
24	894 241 903	Throttle Adjuster	1		○	○	x	x
25	894 191 903	Spring (Throttle Adjuster)	1		○	○	x	x
26	894 052 403	Needle Jet	1		○	○	x	x
27	894 411 903	Washer	1		○	○	x	x
28	894 041 603	Main Jet (#65)	1		○	○	x	x
29	894 201 903	Packing	1		○	○	x	x
30	894 031 903	Needle Valve	1		○	○	x	x
31	894 011 903	Float	1		○	○	x	x
32	894 091 603	Float Pin	1		○	○	x	x
33	894 101 903	Cable Supporter	1		○	○	x	x
34	820 281 900	Starter Cable	1		○	○	x	x
35	820 291 900	Throttle Cable	1		○	○	x	x

# CARBURETOR (S402BT, S402BT-II)



# CARBURETOR (S402BT, S402BT-II)

Item	Part Number	Nomenclature	Qty Req.	Remarks	A	A T	B T	
							I	II
	829 972 600	Carburetor Assembly	1	Consists of 1 - 44.				
1	043 004 120	Screw (Pan Head)	6		X	X	O	O
2	032 004 201	Spring Washer	6		X	X	O	O
3	894 022 203	Float Chamber Cover	1		X	X	O	O
4	894 032 203	Gasket (Float Chamber)	1		X	X	O	O
5	894 202 203	Washer	1		X	X	O	O
6	894 012 603	Needle Valve	1		X	X	O	O
7	894 012 203	Float	1		X	X	O	O
8	894 402 203	Washer	1		X	X	O	O
9	894 322 203	"O" Ring	1		X	X	O	O
10	894 252 603	Pilot Jet (#40)	1		X	X	O	O
11	894 382 203	Needle Jet Plug	1		X	X	O	O
12	894 332 203	"O" Ring	1		X	X	O	O
13	894 052 603	Needle Jet	1		X	X	O	O
14	894 042 603	Main Jet (#140)	1		X	X	O	O
15	894 232 203	"O" Ring	1		X	X	O	O
16	894 392 203	Seal Plate	1		X	X	O	O
17	032 005 201	Spring Washer	1		X	X	O	O
18	043 005 100	Screw (Pan Head)	2		X	X	O	O
19	894 342 203	Nut	1		X	X	O	O
20	894 352 203	Clip	1		X	X	O	O
21	894 362 203	Washer	1		X	X	O	O
22	894 372 203	Screw (Clip)	1		X	X	O	O
23	894 192 203	Spring (Pilot Air Screw)	1		X	X	O	O
24	894 142 203	Pilot Air Screw	1		X	X	O	O
25	894 062 203	Throttle Valve	1		X	X	O	O
26	894 072 603	Jet Needle	1		X	X	O	O
27	894 212 213	Clip (Jet Needle)	1		O	O	O	O
28	894 222 203	Circlip	1		O	O	O	O
29	894 102 603	Spring (Throttle Valve)	1		O	O	O	O
30	894 262 203	Mixing Chamber Top	1	X	X	O	O	
31	894 272 203	Throttle Bar	1	X	X	O	O	
32	894 152 203	Spring (Throttle Adjuster)	1	X	X	O	O	
33	894 282 213	Throttle Adjuster	1	X	X	O	O	
34	051 012 089	Conner Pin	1	X	X	O	O	
35	391 112 203	Mixing Chamber Cap	1	O	O	O	O	
36	894 292 203	Lock Nut	1	X	X	O	O	
37	894 123 403	Cable Adjuster	1	X	X	O	O	
38	041 101 203	Rubber Cup	1	X	X	O	O	
39	894 042 203	Float Pin	1	X	X	O	O	

# CARBURETOR (S402BT, S402BT-II)

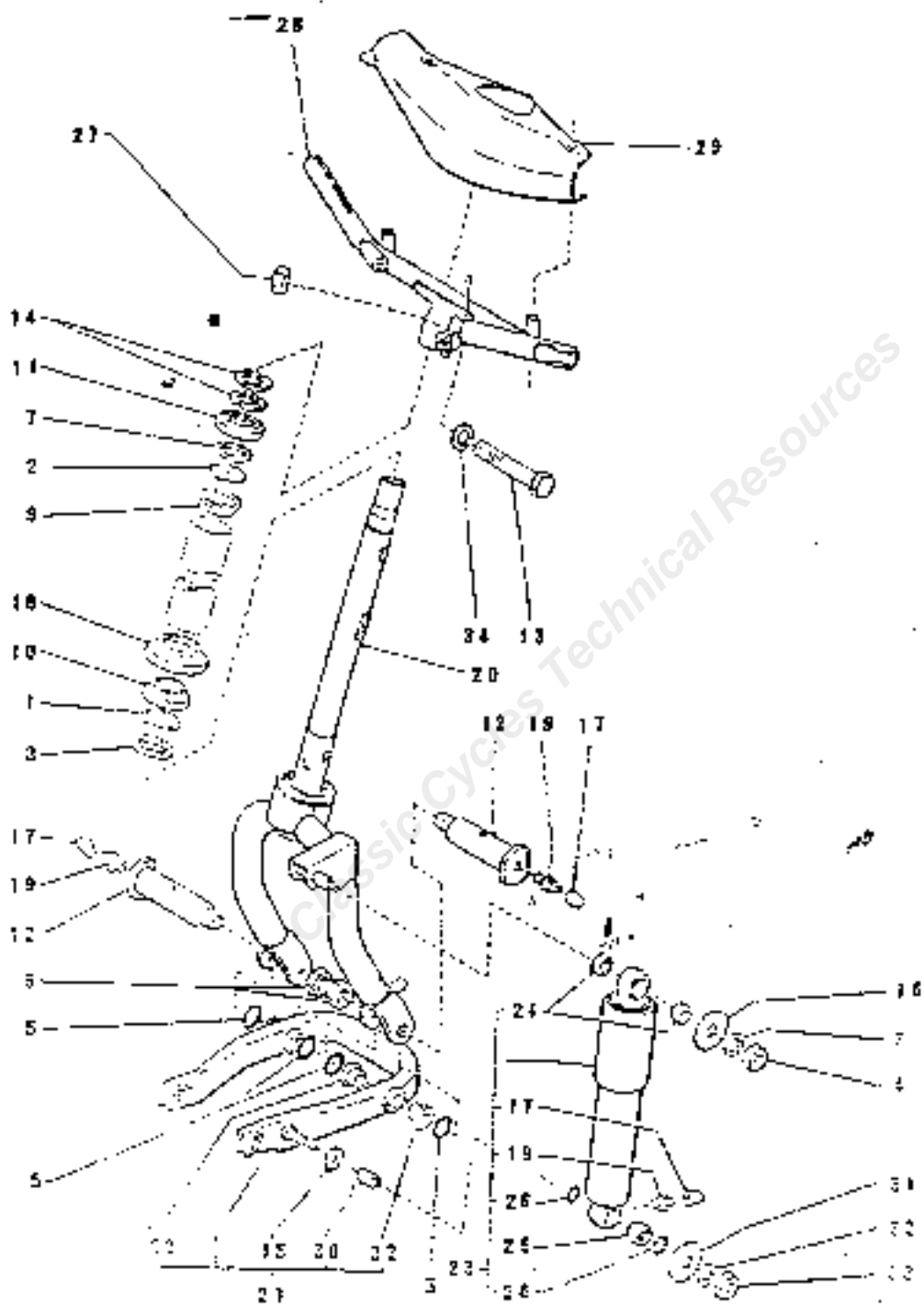
Item	Part Number	Nomenclature	Qty Req.	Remarks	A	A T	B T	
							I	II
40	894 162 203	Starter Plunger	1		x	x	0	0
41	894 172 213	Return Spring	1		x	x	0	0
42	894 182 205	Spring Guide	1		x	x	0	0
43	894 122 203	Cable Adjuster	1		x	x	0	0
44	894 312 203	Rubber Cap	1		0	0	0	0
45	820 282 200	Starter Cable	1		x	x	0	0
46	820 292 200	Throttle Cable	1		x	x	0	0

Classic Cycles Technical Resources



# BODY

# HANDLEBAR & FRONT FORK



## HANDLEBAR &amp; FRONT FORK

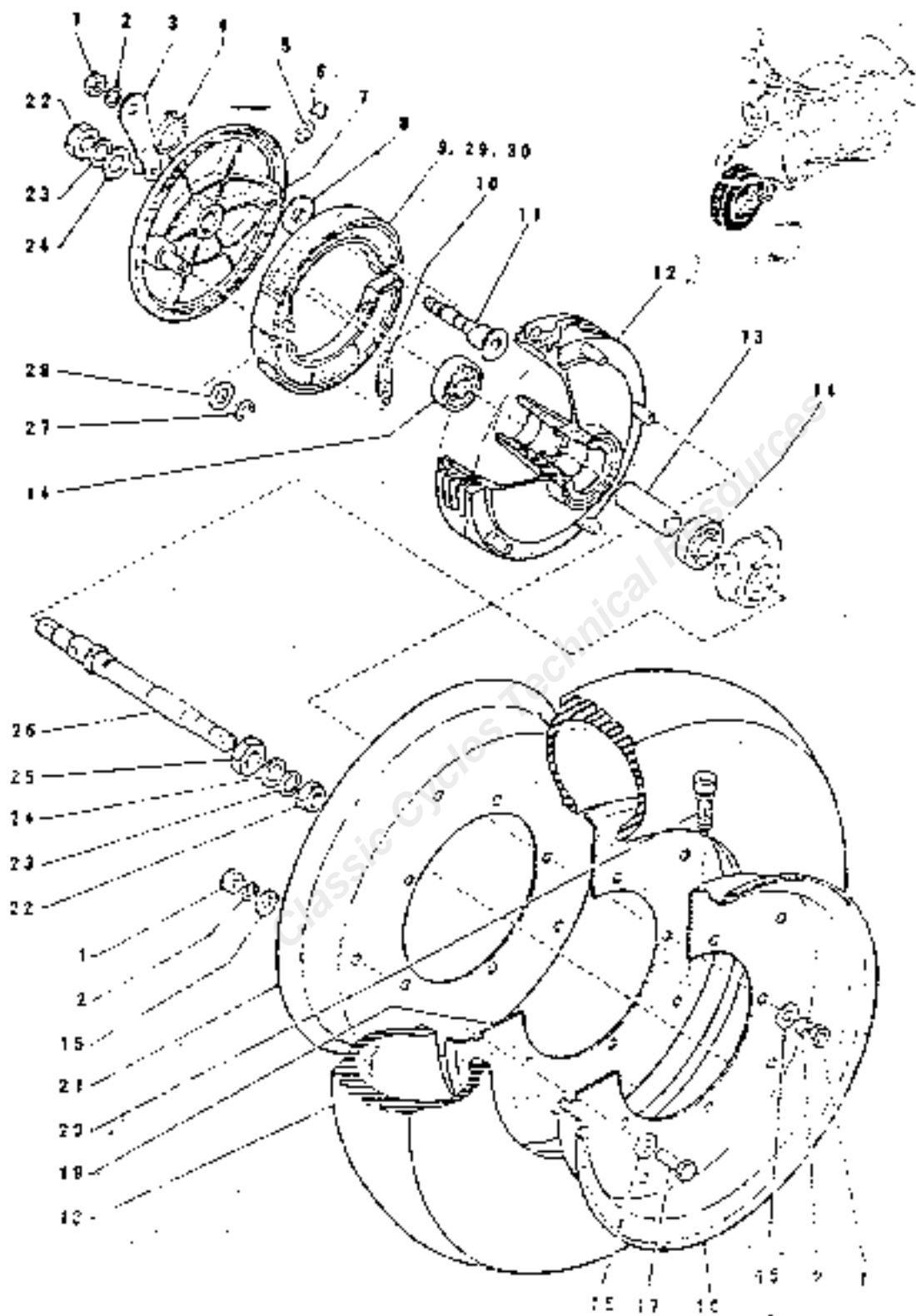
Item	Part Number	Nomenclature	Qty Req.	Remarks	A	A T	B T	
							I	U
1	069 010 400	Steel Ball	23		0	0	0	0
2	069 031 600	Steel Ball	27		0	0	0	0
3	032 008 000	Spring Washer	1	C/# 7001 and after.	x	x	x	0
	032 010 000	Spring Washer	1	C/# 7000 and before.	0	0	0	0
4	021 008 110	Nut	1	C/# 7001 and after.	x	x	x	0
	021 010 110	Nut	1	C/# 7000 and before.	0	0	0	0
5	221 021 000	"O" Ring	4		0	0	0	0
6	022 110 000	Lock Nut	2		0	0	0	0
7	221 004 000	Seat (Upper)	1		0	0	0	0
8	221 004 010	Seat (Lower)	1		0	0	0	0
9	221 002 000	Retainer (Upper)	1		0	0	0	0
10	221 002 010	Retainer (Lower)	1		0	0	0	0
11	221 003 000	Cover (Upper)	1		0	0	0	0
12	221 004 001	Bolt	2	C/# 7001 and after.	x	x	x	0
	221 004 000	Bolt	2	C/# 7000 and before.	0	0	0	0
13	221 004 010	Bolt	1		0	0	0	0
14	221 005 000	Lock Nut	2		0	0	0	0
15	221 311 000	Washer	1	C/# 6799 and after.	x	x	x	0
	221 007 000	Washer	1	C/# 6798 and before.	0	0	0	0
16	221 007 010	Washer	1	C/# 7001 and after.	x	x	x	0
	221 007 020	Washer	1	C/# 7000 and before.	0	0	0	0
17	221 009 000	Grease Nipple Cap	3		0	0	0	0
18	221 009 010	Cap	1		0	0	0	0
19	221 019 000	Grease Nipple	3		0	0	0	0
20	221 100 001	Front Fork	1	C/# 7001 and after.	x	x	x	0
	221 100 000	Front Fork	1	C/# 7000 and before.	0	0	0	0
21	221 300 002	Front Link	1	Includes 15, 22, 30. C/# 7001 and after.	x	x	x	0
	221 300 000	Front Link	1	Includes 15, 22, 30. C/# 6799 ~ 7000	x	x	x	0
22	221 300 000	Front Link	1	Includes 22. C/# 6798 and before.	0	0	0	0
	221 305 001	Bushing	4	C/# 7001 and after.	x	x	x	0
23	221 305 000	Bushing	4	C/# 7000 and before.	0	0	0	0
	229 003 062	Shock Absorber Unit [F]	1	Includes 17, 19, 24 ~ 26. C/# 6799 and after.	x	x	x	0
24	229 003 060	Shock Absorber Unit [F]	1	Includes 17, 19, 24 ~ 26. C/# 6798 and before.	0	0	0	0
	229 001 010	Rubber Bushing	2	C/# 1301 and after.	0	0	0	0
25	229 001 020	Rubber Bushing	1	C/# 1300 and before.	0	x	x	x
	229 021 000	Bushing	1	C/# 6799 and after.	x	x	x	0
26	229 001 000	Bushing	1	C/# 6798 and before.	0	0	0	0
	229 002 001	"O" Ring	2	C/# 6799 and before.	x	x	x	0
27	229 002 000	"O" Ring	2	C/# 6798 and before.	0	0	0	0
	229 010 110	Nut	1		0	0	0	0

## HANDLEBAR &amp; FRONT FORK

Item	Part Number	Nomenclature	Qty Req.	Remarks	A		B	
					A	T	I	It
28	221 530 060	Handlebar	1		x	x	x	0
	221 530 040	Handlebar	1		x	x	0	x
	221 530 060	Handlebar	1		0	0	x	x
	221 510 100	Handlebar Cover	1		x	x	x	0
29	221 510 090	Handlebar Cover	1		x	x	0	x
	221 510 050	Handlebar Cover	1		x	0	x	x
	221 510 000	Handlebar Cover	1		0	x	x	x
30	221 312 000	Sleeve	1	C/# 6799 and after.	x	x	x	0
31	221 007 040	Washer	1	C/# 6799 and after.	x	x	x	0
	221 007 020	Washer	1	C/# 6798 and before.	0	0	0	0
32	032 008 030	Spring Washer	1	C/# 6799 and after.	x	x	x	0
	032 010 000	Spring Washer	1	C/# 6798 and before.	0	0	0	0
33	021 008 110	Nut	1	C/# 6799 and after.	x	x	x	0
	021 010 110	Nut	1	C/# 6798 and before.	0	0	0	0
34	032 010 000	Spring Washer	1		0	0	0	0



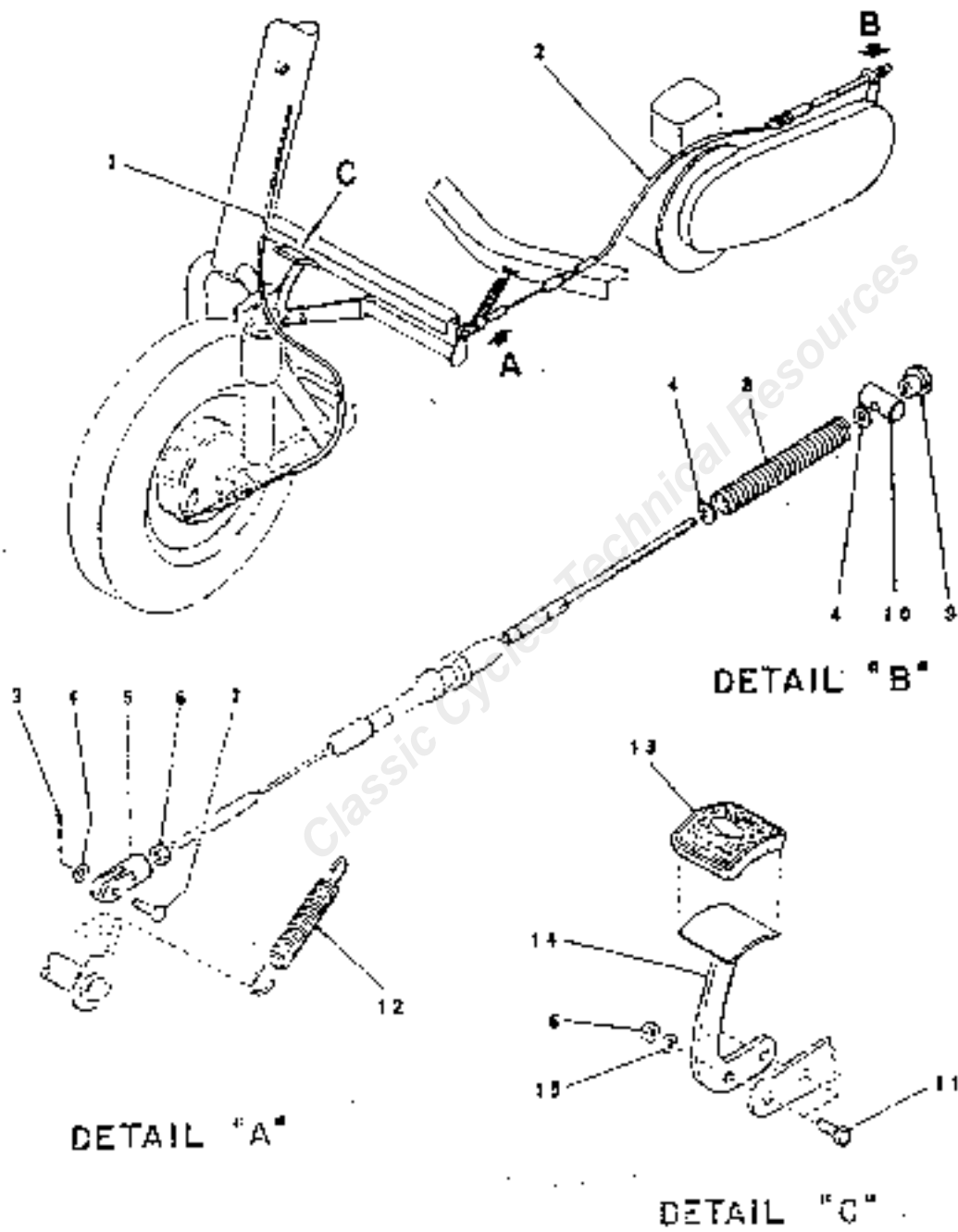
# FRONT WHEEL



## FRONT WHEEL

Item	Part Number	Nomenclature	Qty Req.	Remarks	A	A T	B T	
							I	U
1	021 008 110	Nut	11	(021012000)	0	0	0	0
2	032 008 060	Spring Washer	11		0	0	0	0
3	223 225 000	Brake Lever	1		0	0	0	0
4	223 202 010	Return Spring (Brake Lever)	1		0	0	0	0
5	221 019 000	Grease Nipple	1		0	0	0	0
6	221 009 000	Grease Nipple Cap	1		0	0	0	0
7	223 210 002	Disc Plate (F)	1		x	x	0	0
	223 210 000	Disc Plate (F)	1	(223290001)	0	0	x	x
8	223 205 000	Washer	1		0	0	0	0
9	223 220 130	Brake Shoe Complete (F)	1 set		0	0	0	0
10	223 202 000	Return Spring (Brake Shoe)	2		0	0	0	0
11	223 215 050	Brake Cam (F)	1		0	0	0	0
12	223 300 060	Wheel Hub (F)	1		x	x	0	0
	223 300 000	Wheel Hub (F)	1		0	0	x	x
13	223 002 030	Spacer	1		x	x	0	0
	223 002 000	Spacer	1		0	0	x	x
14	060 162 022	Ball Bearing	2		x	x	0	0
	060 162 032	Ball Bearing	2		0	0	x	x
15	223 104 000	Washer	15		0	0	0	0
16	223 101 010	Rim (F)	1		0	0	0	0
17	016 008 210	Bolt	5	(223103000)	0	0	0	0
18	223 111 000	Tire (F)	1	1.50-10-2P	0	x	0	0
	223 111 010	Tire (F)	1	1.50-10-2P white sidewall tire.	x	0	x	x
19	223 102 000	Rim Packing (F)	1		0	0	0	0
20	298 504 000	Valve Unit	1		0	0	0	0
21	223 101 000	Rim (F)	1		0	0	0	0
22	021 012 110	Nut	2		0	0	0	0
23	032 012 000	Spring Washer	2		0	0	0	0
24	223 003 000	Washer	2		0	0	0	0
25	022 014 110	Nut	1		x	x	0	0
	223 005 001	Nut	1	(223005001)	0	0		
26	223 001 010	Wheel Axle (F)	1		x	x	0	0
	223 001 000	Wheel Axle (F)	1	(223001001)	0	0	x	x
27	051 108 000	Clip (Retainer)	1		x	x	0	0
28	011 010 000	Washer	1		0	0	0	0
29	051 120 000	Rivet (Countersunk Head)	12	C/P 6139 and before.	0	0	0	0
30	223 221 000	Brake Lining (F)	2	C/P 6139 and before.	0	0	0	0

# BRAKE CONTROL SYSTEM





## BRAKE CONTROL SYSTEM

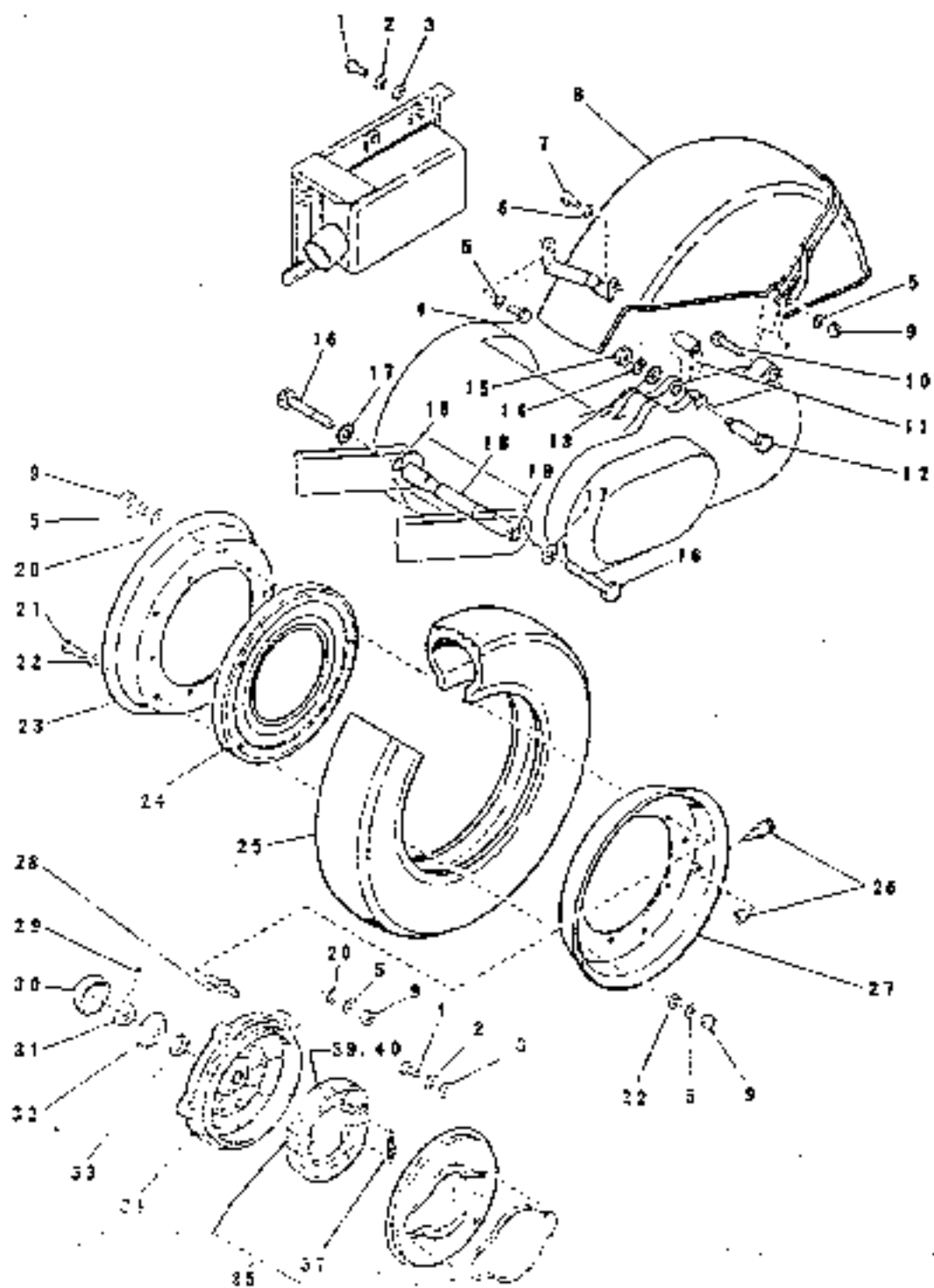
Item	Part Number	Nomenclature	Qty Req.	Remarks	A	A T	B T	
							1	2
1	225 100 000	Brake Cable (F)	1		○	○	○	○
2	225 100 010	Brake Cable (R)	1		○	○	○	○
3	051 020 120	Cotter Pin	1		○	○	○	○
4	031 006 000	Washer	3		○	○	○	○
5	225 004 000	Joint	1		○	○	○	○
6	021 006 110	Nut	3		○	○	○	○
7	052 106 160	Pin	1		○	○	○	○
8	225 001 000	Spring	1		○	○	○	○
9	225 008 000	Adjusting Nut	1		○	○	○	○
10	225 005 010	Pin	1	(225005000)	○	○	○	○
11	016 006 160	Bolt	2		○	○	○	○
12	225 001 010	Return Spring (Brake Pedal)	1		○	○	○	○
13	225 002 000	Pedal Pad	1		○	○	○	○
14	225 010 000	Brake Pedal	1		○	○	○	○
15	032 006 030	Spring Washer	2		○	○	○	○

## FUEL SYSTEM

Item	Part Number	Nomenclature	Qty Req.	Remarks	A	A T	B I	
							I	II
1	298 510 020	Fuel Tank Cap (English)	1	Includes 2.	□	○	○	○
	298 510 030	Fuel Tank Cap (Spanish)	1	Includes 2.	○	○	○	○
2	241 111 000	Packing (Fuel Tank Cap)	1		○	○	○	○
3	241 140 000	Fuel Gage	1		○	○	○	○
	241 200 031	Fuel Tank	1	C/# 1701 and after.	x	x	x	○
4	241 200 030	Fuel Tank	1	C/# 1663 - 7000	○	□	○	○
	* See note	Fuel Tank	1	C/# 1662 and before.	○	□	x	x
5	016 006 120	Bolt	1	(016006140)	○	○	○	○
6	032 006 000	Spring Washer	4		○	○	○	○
7	031 006 000	Washer	4		□	○	○	○
8	241 015 060	Fuel Tube	1	(241015010) C/# 1663 and after.	○	○	○	○
	241 015 050	Fuel Tube	1	C/# 1662 and before.	○	○	x	x
9	241 007 000	Clip	4		○	○	○	○
10	241 015 050	Fuel Tube	1	C/# 1663 and after.	○	○	○	○
	241 015 010	Fuel Tube	1	C/# 1662 and before.	○	○	x	x
11	021 006 110	Nut	2		○	○	○	○
12	241 001 030	Knob (Fuel Strainer)	1	C/# 7001 and after.	x	x	x	○
	241 001 001	Knob (Fuel Strainer)	1	C/# 7000 and before.	□	○	○	○
13	241 004 001	Screw	1		○	○	○	○
14	241 010 020	Fuel Strainer	1	(Includes 15 - 18. C/# 1662 and before.	○	○	○	○
	241 010 001	Fuel Strainer	1	(Includes 15 - 18. C/# 1662 and before.	○	○	x	x
15	241 006 020	Packing (Joint)	1		○	○	○	○
16	241 006 010	Packing (Cup)	1		○	○	○	○
17	241 012 030	Filter	1		○	○	○	○
18	241 011 000	Cup	1		○	○	○	○
19	298 520 000	Oil Tank	1		□	○	○	○

Note: For C/# 1662 and before, use 241000030 Fuel Tank together with 241010020 Fuel Strainer, 241015060 Fuel Tube (Item 8) and 241015050 Fuel Tube (Item 10).

# REAR WHEEL



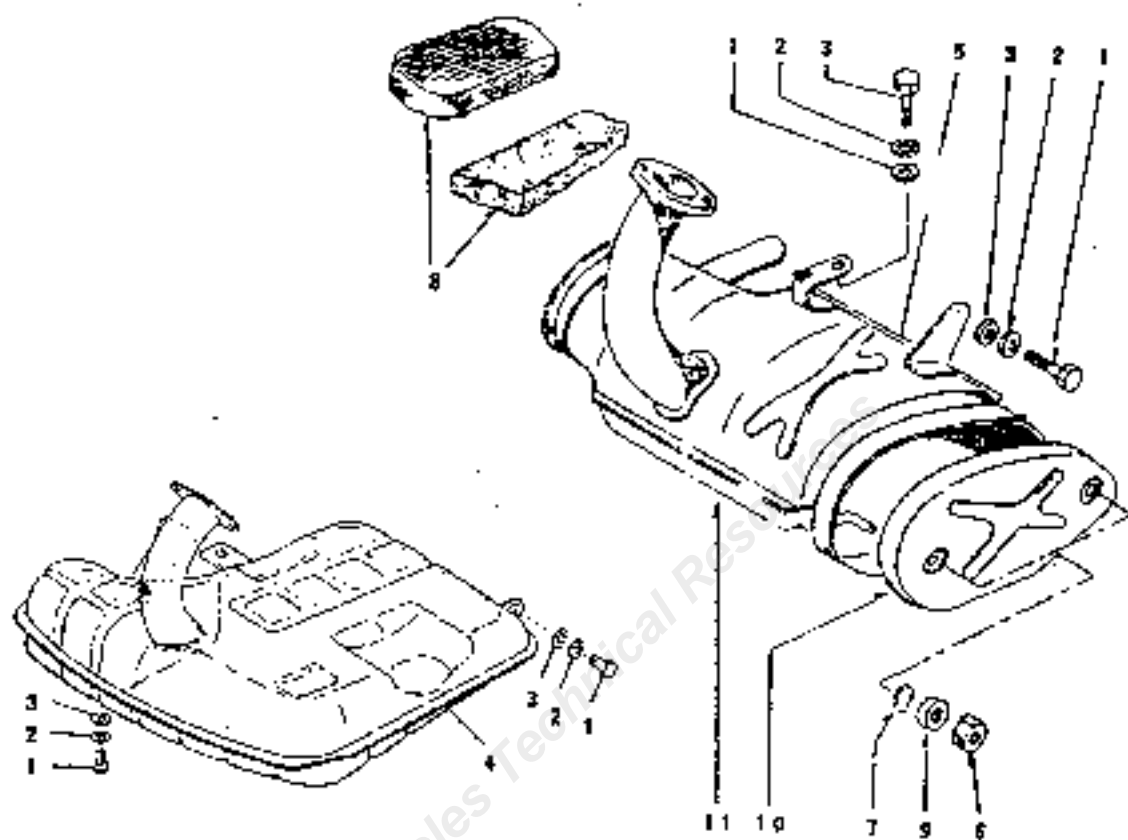
## REAR WHEEL

Item	Part Number	Nomenclature	Qty Req.	Remarks	A		B	
					A	T	T	U
1	043 005 160	Screw (Pan Head)	7	(043005160)	○	○	○	○
2	032 005 000	Spring Washer	7		○	○	○	○
3	031 005 000	Washer	7		○	○	○	○
4	016 008 140	Bolt	1		○	○	○	○
5	032 008 000	Spring Washer	17		○	○	○	○
6	032 006 000	Spring Washer	1		○	○	○	○
7	016 006 120	Bolt	1		○	○	○	○
8	265 600 051	Fender (R)	1	(265600050)	x	x	○	○
	265 600 010	Fender (R)	1		○	○	x	x
9	021 008 110	Nut	16		○	○	○	○
10	016 008 320	Bolt	1		○	○	○	○
11	265 504 000	Bushing	1		○	○	○	○
12	265 505 000	Bolt	1		○	○	○	○
13	031 010 000	Washer	1		○	○	○	○
14	012 010 000	Spring Washer	1		○	○	○	○
15	022 010 110	Nut	1		○	○	○	○
16	252 205 000	Bolt	2		○	○	○	○
17	032 012 000	Spring Washer	2		○	○	○	○
18	062 910 011	"O" Ring	2		○	○	○	○
19	252 203 001	Swing Axle	1	(252203000)	○	○	○	○
20	031 008 000	Washer	10		○	○	○	○
21	016 008 220	Bolt	5		○	○	○	○
22	223 104 000	Washer	10		○	○	○	○
23	223 101 020	Rim (R)	1		○	○	○	○
24	223 102 010	Rim Packing (R)	1		○	○	○	○
25	223 111 010	Tire (R)	1	3.50-10-4P	○	x	○	○
	223 111 050	Tire (R)	1	3.50-10-4P White sidewall tire.	x	○	x	x
26	298 504 000	Valve Unit	1		○	○	○	○
27	223 101 030	Rim (R)	1		○	○	○	○
28	223 006 000	Hub Bolt	5		○	○	○	○
29	051 030 350	Cotter Pin	1		○	○	○	○
30	243 004 000	Rubber Cap (Dust Seal)	1		○	○	○	○
31	213 012 000	Castle Nut	1		○	○	○	○
32	243 005 000	Setting Plate	1		○	○	○	○
33	241 006 000	Washer	1		○	○	○	○
34	223 100 010	Wheel Hub (R)	1		○	○	○	○
35	223 220 090	Brake Shoe w/Return Spring	1 each	Includes 37.	○	○	○	○
36	243 001 000	Packing	1		○	○	○	○
37	223 202 000	Return Spring (Brake Shoe)	2	277 2135 and after.	x	x	○	○
	223 202 010	Return Spring (Brake Shoe)	2	277 2135 and before.	○	○	○	○

## REAR WHEEL

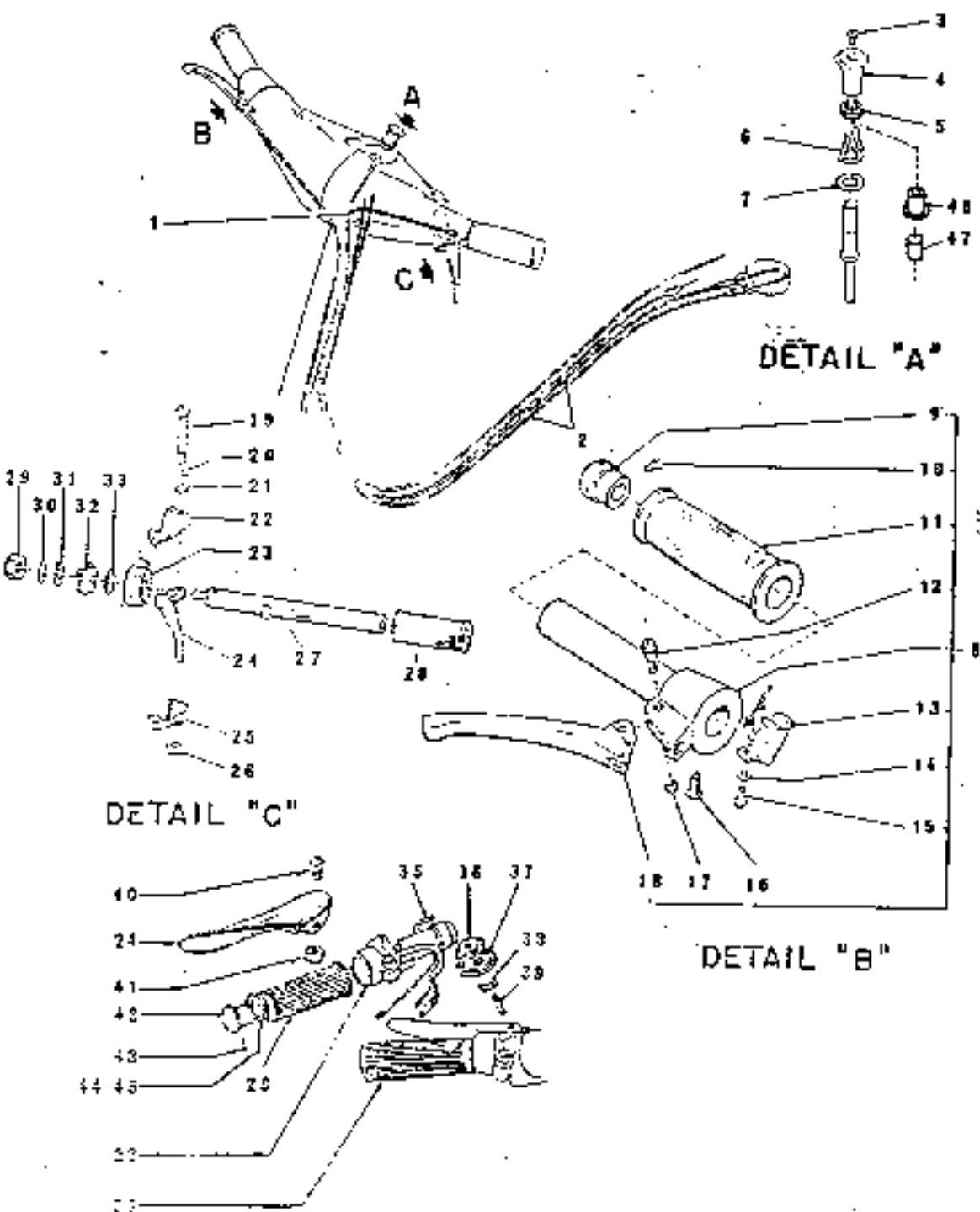
Item	Part Number	Nomenclature	Qty Req.	Remarks	A		B	
					A	T	T	U
28	243 003 000	Seal Plate	1		0	0	0	0
29	058 130 100	Rivet (Countersunk Head)	12	C/6 6151 and before.	0	0	0	0
30	223 221 010	Brake Lining (R)	2	223221011  C/7 5154 and before.	0	0	0	0

# MUFFLER



Item	Part Number	Nomenclature	Qty Req.	Remarks	A		B	
					I	II	I	II
1	016 008 160	Bolt	2		○	○	○	○
2	032 008 000	Spring Washer	2		○	○	○	○
3	031 008 000	Washer	2		○	○	○	○
4	215 200 010	Muffler	1		x	x	○	○
5	245 100 000	Muffler	1		○	○	x	x
6	021 006 110	Nut	2		○	○	x	x
7	245 102 000	Gasket	2		○	○	x	x
8	245 199 000	Glass Mat	1	(245103000)	○	○	x	x
9	245 101 000	Washer	2		○	○	x	.
10	245 110 010	Cap	1		○	○	x	x
11	245 102 010	Packing	1		○	○	.	.

# CONTROL SYSTEM



20-7538 NEW CR  
CONTROL SYSTEM

Item	Part Number	Nomenclature	Qty Req.	Remarks	B		
					A	A	I
1	247 210 030	Clutch Cable	1		x	x	0
	247 210 001	Clutch Cable	1		0	0	x
	247 220 051	Gear Shift Cable	2		x	x	0
2	247 220 003	Gear Shift Cable	2	C/F 1231 and after.	0	0	x
	* See note 1	Gear Shift Cable	1	C/F 1230 and before.	0	x	x
3	041 004 080	Screw (Countersunk Head)	2		0	0	0
4	247 001 010	Knob (Starter Cable)	1	(247001000)	0	0	0
5	247 002 000	Nut	1		0	0	0
6	247 004 000	Spring	1		0	0	0
7	031 010 000	Washer	1	C/F 1406 and after.	0	0	0
8	247 110 040	Throttle Grip Assembly	1	Includes 9 - 18.	x	x	0
	247 110 020	Throttle Grip Assembly	1	Includes 9 - 18.	x	0	x
	247 110 030	Throttle Grip Assembly	1	Includes 9 - 18.	0	x	x
9	247 117 000	Grip End	1		x	x	0
	247 120 020	Grip End	1		0	0	x
10	247 112 010	Setting Screw	1		0	0	0
11	247 101 001	Grip Sleeve	1	C/F 7001 and after.	x	x	x
	247 101 000	Grip Sleeve	1	C/F 7000 and before.	0	0	0
12	247 116 010	Setting Screw	1		x	x	0
	247 116 000	Setting Screw	1		0	0	x
13	281 215 000	Starter Switch	1		0	x	0
	281 215 020	Starter Switch	1		x	0	x
14	032 004 000	Spring Washer	1		0	0	0
15	043 004 080	Screw (Pan Head)	1	(040004080)	0	0	0
16	247 112 000	Setting Screw	1	(247112010)	0	0	0
	022 005 110	Nut	1		x	x	0
17	247 103 000	Nut	1		0	0	x
	247 113 050	Brake Lever	1		x	x	0
18	247 113 040	Brake Lever	1		x	0	x
	247 113 000	Brake Lever	1		0	x	x
19	221 503 310	Screw	1		x	x	0
20	033 003 000	Spring Washer	1		x	x	0
21	031 005 000	Washer	1		x	x	0
22	221 506-080	Cover (Upper)	1		x	x	0
	281 223 051	Turn Signal & Horn Switch	1	(281223050)	x	x	0
23	281 223 020	Turn Signal & Horn Switch	1		x	0	x
	281 223 000	Turn Signal & Horn Switch	1		0	x	x
	247 101 040	Clutch Lever	1		x	x	0
	247 103 020	Clutch Lever	1		x	0	x
	247 103 000	Clutch Lever	1		0	x	x



## CONTROL SYSTEM

Item	Part Number	Nomenclature	Qty Req.	Remarks	A		Z	
					I	T	I	T
25	221 506 030	Cover (Lower)	1		x	x	o	o
26	022 005 110	Nut	1		x	x	o	o
27	221 550 030	Gear Shift Bar	1		x	x	o	o
	221 550 020	Gear Shift Bar	1		x	x	o	o
28	247 101 041	Grip Sleeve	1	C/F 7001 and after.	x	x	x	o
	247 101 040	Grip Sleeve	1	C/F 7000 and before.	x	x	o	o
	247 101 000	Grip Sleeve	1		o	o	-	-
29	021 008 110	Nut	1		x	x	o	o
30	032 008 000	Spring Washer	1		x	x	o	o
31	031 008 000	Washer	1		x	x	o	o
32	221 551 050	Pulley (Gear Shift Cable)	1		x	x	o	o
33	221 516 000	Spring	1		x	x	o	o
34	247 120 020	Gear Shift Grip Assembly	1	Includes 23, 24, 28, 35-45	-	o	-	-
	247 120 010	Gear Shift Grip Assembly	1	Includes 23, 24, 28, 35-45 C/F 1231 and after.	o	x	-	-
	See note 2	Gear Shift Grip Assembly	1	Includes 23, 24, 28, 35-45 C/F 1230 and before.	o	x	-	-
35	247 125 010	Holder	1		-	o	-	-
	247 125 000	Holder	1		o	x	-	-
	247 122 001	Bevel Gear	1	C/F 1231 and after.	o	o	-	-
36	See note 1	Bevel Gear	1	C/F 1230 and before.	o	x	-	-
37	247 121 010	Cover	1		-	o	-	-
38	247 121 000	Cover	1		o	x	-	-
39	022 006 110	Nut	1		o	o	-	-
40	247 102 000	Bolt (Headless)	1		o	o	-	-
41	247 112 020	Setting Screw	1		o	o	x	x
42	022 005 110	Nut	1		o	o	-	-
43	247 120 026	Grip End	1		o	o	-	-
44	247 112 010	Setting Screw	1		o	o	-	-
45	247 003 020	Washer	As req.		o	o	-	-
46	247 003 030	Washer	As req.		o	o	-	-
47	247 003 000	Washer	1	C/F 1405 and before.	o	x	-	-
48	247 003 010	Rubber Washer	1	C/F 1405 and before.	o	x	-	-

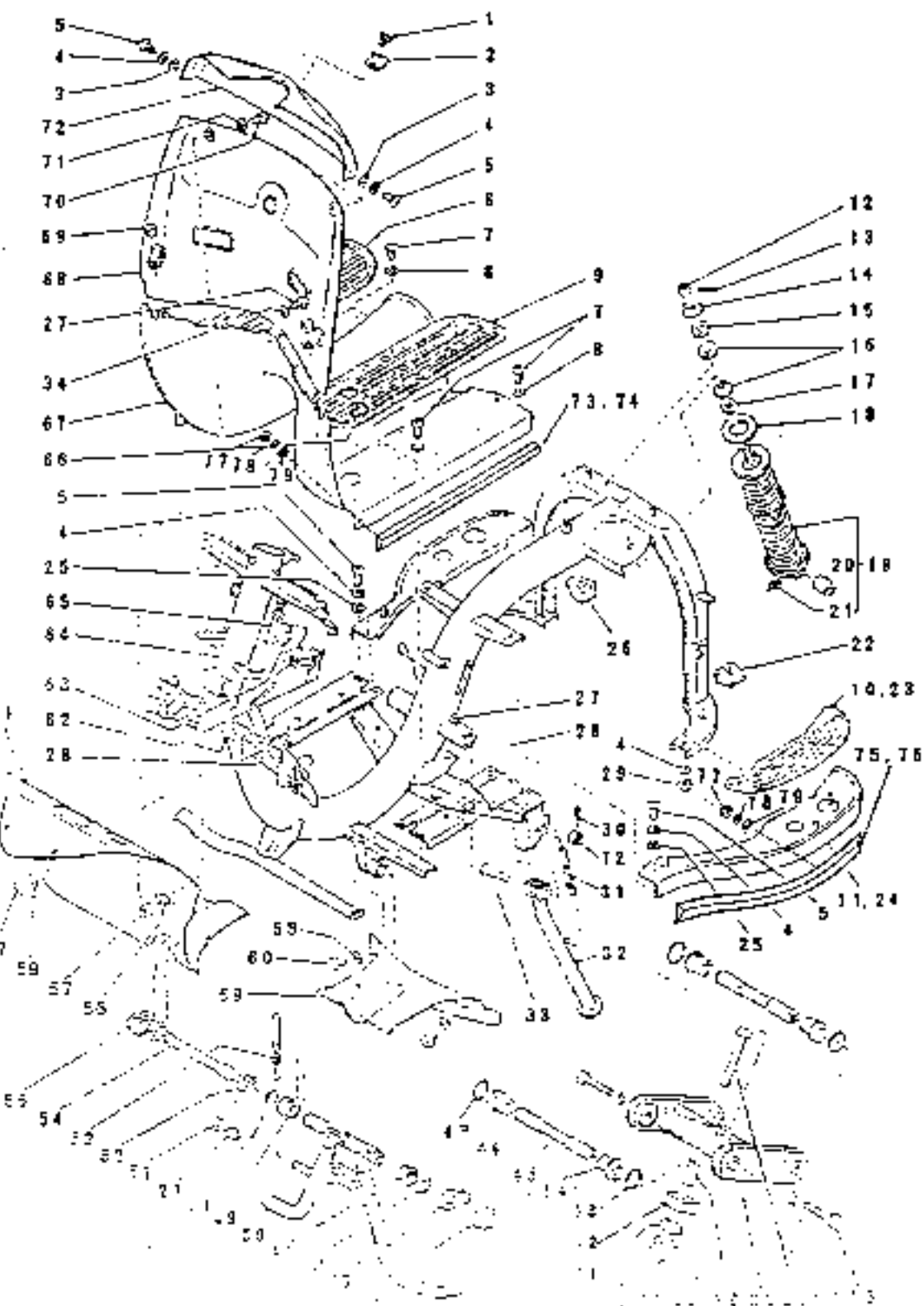
Note 1. For C/F 1230 and before, use 247120001 Gear Shift Cable together with 247121001 Bevel Gear.

Note 2. For C/F 1230 and before, use 247120010 Gear Shift Grip Assembly together with 247121001 Gear Shift Cable.

Note 3. For C/F 1231 and after, use 247125001 Bevel Gear together with 247122001 Holder.

Classic Cycles Technical Resources

# FRAME



# FRAME

Item	Part Number	Nomenclature	Qty Req.	Remarks	A	A T	B T	
							1	U
1	041 006 140	Screw	1	C/# 7001 and after.	x	x	x	0
2	251 043 000	Hook	1	C/# 7001 and after.	x	x	x	0
3	251 002 070	Washer	2	C/# 7001 and after.	x	x	x	0
4	032 006 000	Spring Washer	10		0	0	0	0
5	043 006 140	Screw (Pan Head)	6	(040006140)	0	0	0	0
6	251 013 011	Mat (Foot Board, RH)	1	C/# 7001 and after.	x	x	x	0
	251 013 010	Mat (Foot Board, RH)	1	C/# 7000 and before.	0	0	0	0
7	043 005 120	Screw (Pan Head)	11	(040005120)	0	0	0	0
8	031 205 000	Washer	8		0	0	0	0
9	251 013 001	Mat (Foot Board, LH)	1	C/# 7001 and after.	x	x	x	0
	251 013 000	Mat (Foot Board, LH)	1	C/# 7000 and before.	0	0	0	0
10	251 014 031	Mat (Foot Rest, RH)	1	C/# 7001 and after.	x	x	x	0
	251 014 030	Mat (Foot Rest, RH)	1	C/# 7000 and before.	x	x	0	0
	251 014 010	Mat (Foot Rest, RH)	1		0	0	x	x
	251 103 070	Foot Rest (RH)	1		x	x	0	0
11	251 100 040	Foot Rest (RH)	1		x	0	x	x
	252 100 010	Foot Rest (RH)	1		0	x	x	y
12	023 110 000	Castle Nut	3		0	0	0	0
13	051 020 250	Cover Pin	2		0	0	0	0
14	251 002 000	Washer	1		0	0	0	0
15	251 007 020	Rubber Bushing (Small)	1		0	0	0	0
16	251 002 010	Washer	2		0	0	0	0
17	251 007 010	Rubber Bushing (Small)	1		0	0	0	0
18	251 007 000	Rubber Bushing (Large)	1		0	0	0	0
19	229 000 030	Shock Absorber Unit (R)	1		0	0	0	0
20	229 001 010	Bushing	1		0	0	0	0
21	221 019 000	Grease Nipple	2		0	0	0	0
22	251 011 040	Stopper (Lower-LH)	1		x	x	0	0
	251 011 030	Stopper (Lower-LH)	1		0	0	x	x
23	251 014 021	Mat (Foot Rest, LH)	1	C/# 7001 and after.	x	x	x	0
	251 014 021	Mat (Foot Rest, LH)	1	C/# 7000 and before.	x	x	0	0
	251 014 000	Mat (Foot Rest, LH)	1		0	0	x	y
	252 110 050	Foot Rest (LH)	1		x	x	0	0
24	252 100 050	Foot Rest (LH)	1		x	0	x	y
	252 100 000	Foot Rest (LH)	1		0	x	x	y
25	031 106 000	Washer	1		0	0	0	0
26	251 011 030	Stopper (Lower-RH)	1		x	x	0	0
	251 011 010	Stopper (Lower-RH)	1		0	0		
27	031 006 140	Screw (Pan Head)	3	C/# 7001 and after.	x	x	x	0
28	031 006 140	Screw (Pan Head)	3	C/# 7000 and before.	0	0	0	0

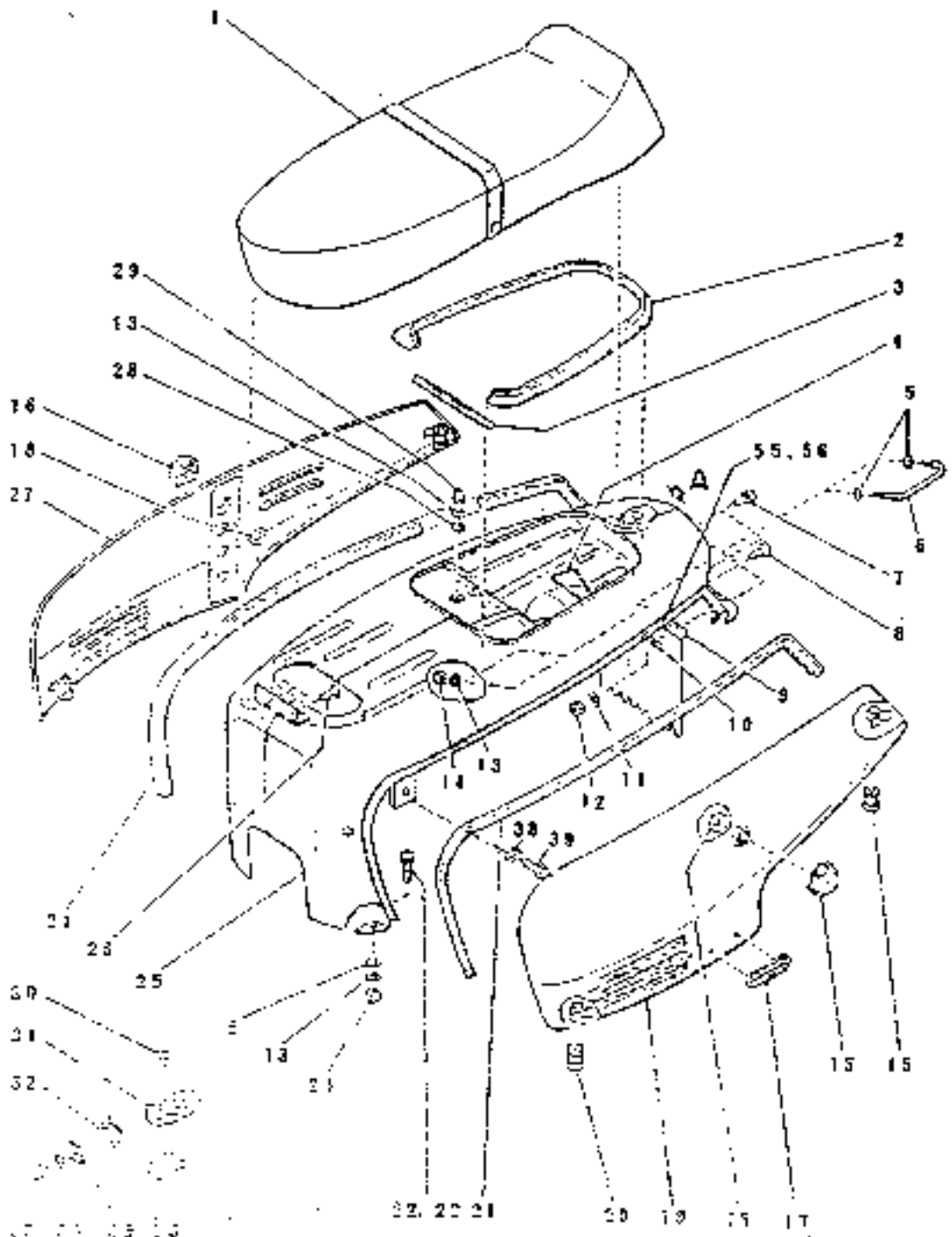
# FRAME

Item	Part Number	Nomenclature	Qty Req.	Remarks				
					A	A F	B T	B T
	251 012 000	Reinforcement	2					
26	251 012 010	Reinforcement (LH)	1		0	*	0	0
	251 012 020	Reinforcement (RH)	1		*	0	*	0
29	021 006 130	Nut	4		*	0	*	*
30	051 020 220	Cotter Pin	1		0	0	0	0
31	252 502 000	Spring (Side Stand)	1		0	0	0	0
	252 520 020	Side Stand	1		0	0	0	0
32	252 520 000	Side Stand	1		*	*	0	0
33	252 501 000	Bolt	1		0	0	*	*
	001 705 000	Washer	3		0	0	0	0
34	251 002 010	Washer	3	C/F 7001 and after.	*	*	*	0
35	252 204 000	Bolt	2	C/F 7000 and before.	0	0	0	0
36	032 012 000	Spring Washer	2		0	0	0	0
37	252 205 010	Bolt	1		0	0	0	0
	252 150 020	Engine Support	1		0	0	0	0
38	252 250 000	Engine Support	1		*	*	0	0
39	252 206 000	Spacer	1		0	0	*	*
40	252 231 000	Washer	1		0	0	0	0
41	252 202 000	Cushion Rubber	1		0	0	0	0
42	252 202 010	Cushion Rubber	1		0	0	0	0
43	062 950 011	"O" Ring	2		0	0	0	0
44	252 304 000	Bushing	2		0	0	0	0
45	252 203 001	Swing Axle	1	(252203000)	0	0	0	0
46	252 604 010	Rubber Cap (Dust Seal)	1		0	0	0	0
47	252 602 000	Link Plate (Brake Shaft)	1		0	0	0	0
48	062 919 011	"O" Ring	2		0	0	0	0
49	252 601 000	Bushing (Brake Shaft)	1		0	0	0	0
50	252 630 000	Main Stand	1		0	0	0	0
51	022 012 110	Nut	1		0	0	0	0
52	232 605 000	Washer	1		0	0	0	0
53	252 603 000	Spring (Main Stand)	1		0	0	0	0
54	252 606 000	Brake Shaft	1		0	0	0	0
55	252 604 000	Rubber Cap (Dust Seal)	1		0	0	0	0
56	251 003 000	Clip (Band)	2		0	0	0	0
57	022 004 110	Nut	10		0	0	0	0
58	251 204 000	Washer	10	(251204000)	0	0	0	0
59	251 003 001	Under Cover	1	(251003001)	0	0	0	0
	012 004 000	Bracket (Side Stand)	1	(012004000)	0	0	0	0
	012 004 001	Bracket (Side Stand)	1	(012004001)	0	0	0	0
	012 004 002	Bracket (Side Stand)	1	(012004002)	0	0	0	0
	012 004 003	Bracket (Side Stand)	1	(012004003)	0	0	0	0

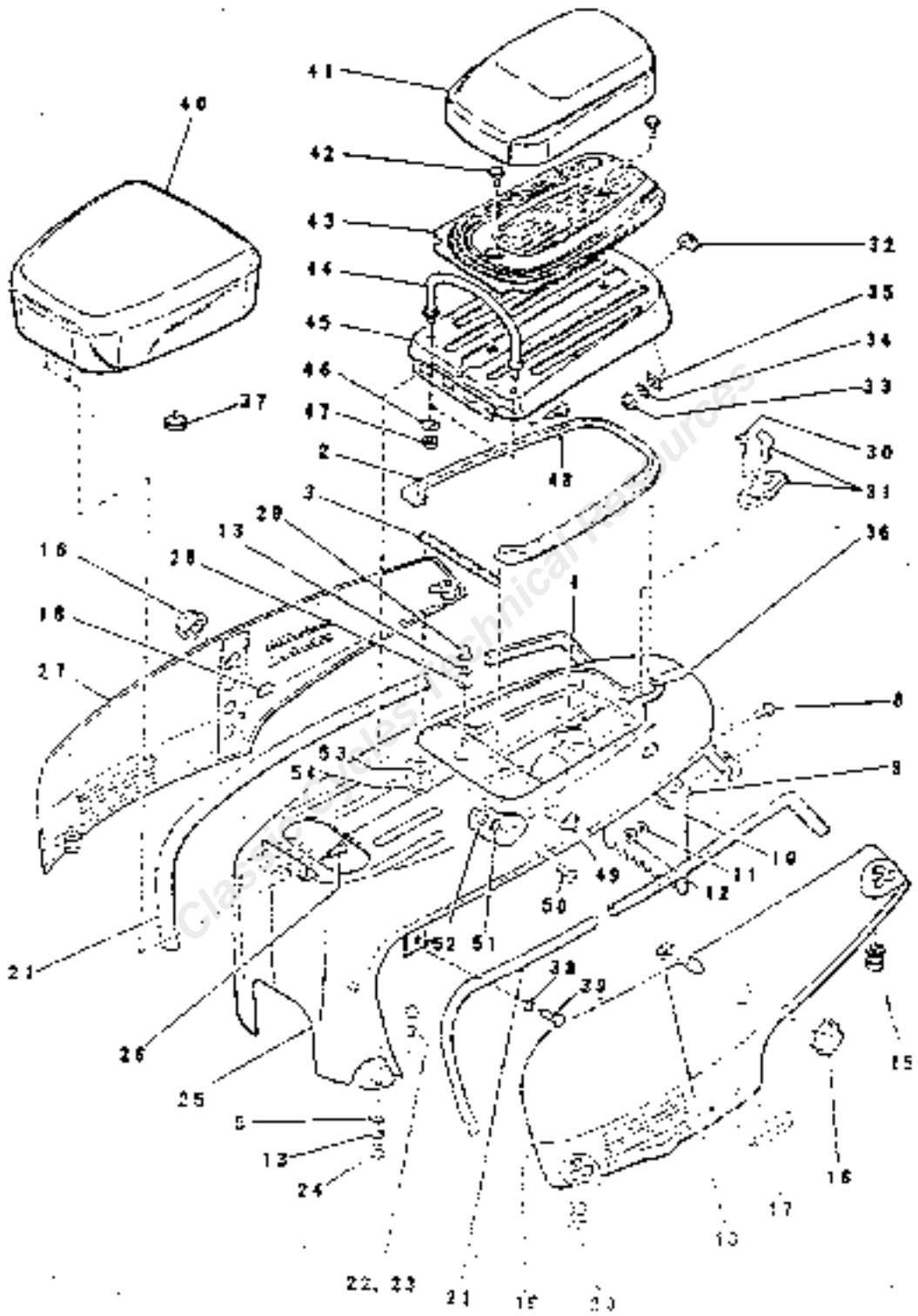
# FRAME

Item	Part Number	Nomenclature	Qty Req.	Remarks	A	A	B T	
					T	I	U	
62	043 005 100	Screw (Pan Head)	3	(040005100)				
63	032 005 000	Spring Washer	5		○	○	○	○
64	251 100 091	Frame	1	C/P 7301 and after.	×	×	×	○
	251 100 090	Frame	1	C/P 7000 and before.	×	×	×	○
	251 100 040	Frame	1		×	×	○	×
	251 100 001	Frame	1		○	○	×	×
65	251 010 001	Handlebar Lock Unit	1	C/P 6155 and after.	×	×	×	○
	251 010 000	Handlebar Lock Unit	1	C/P 6154 and before.	○	○	○	○
66	043 004 160	Screw (Pan Head)	10	(040004160)	○	○	○	○
67	262 110 003	Foot Board	1		×	×	○	○
	262 110 010	Foot Board	1		×	○	×	×
	262 110 000	Foot Board	1		○	×	×	×
	262 130 100	Front Cover	1		×	×	×	○
68	262 130 003	Front Cover	1		×	×	○	×
	262 130 060	Front Cover	1		×	○	×	×
	262 130 040	Front Cover	1		○	×	×	×
69	251 026 000	Holder	2		×	×	×	○
70	251 003 011	Setting Screw	2	(251003010)	○	○	○	○
71	251 002 020	Rubber Washer	2		○	○	○	○
72	262 160 060	Instrument Panel	1		×	×	×	○
	262 160 050	Instrument Panel	1		×	○	○	×
	262 160 001	Instrument Panel	1	C/P 1406 and after.	○	×	×	×
	262 160 000	Instrument Panel	1	C/P 1405 and before.	○	×	×	×
73	262 111 000	Bead (Foot Board, LH)	1		×	○	×	×
74	262 111 010	Bead (Foot Board, RH)	1		×	○	×	×
75	252 107 010	Bead (Foot Rest, LH)	1		×	○	×	×
76	212 107 000	Bead (Foot Rest, RH)	1		×	○	×	×
77	022 004 110	Nut	16		×	○	×	×
78	032 004 000	Spring Washer	16		×	○	×	×
79	031 004 000	Washer	16		×	○	×	×
80	040 022 100	Grass Nipple	1		○	○	○	○

# BODY COVER



# BODY COVER





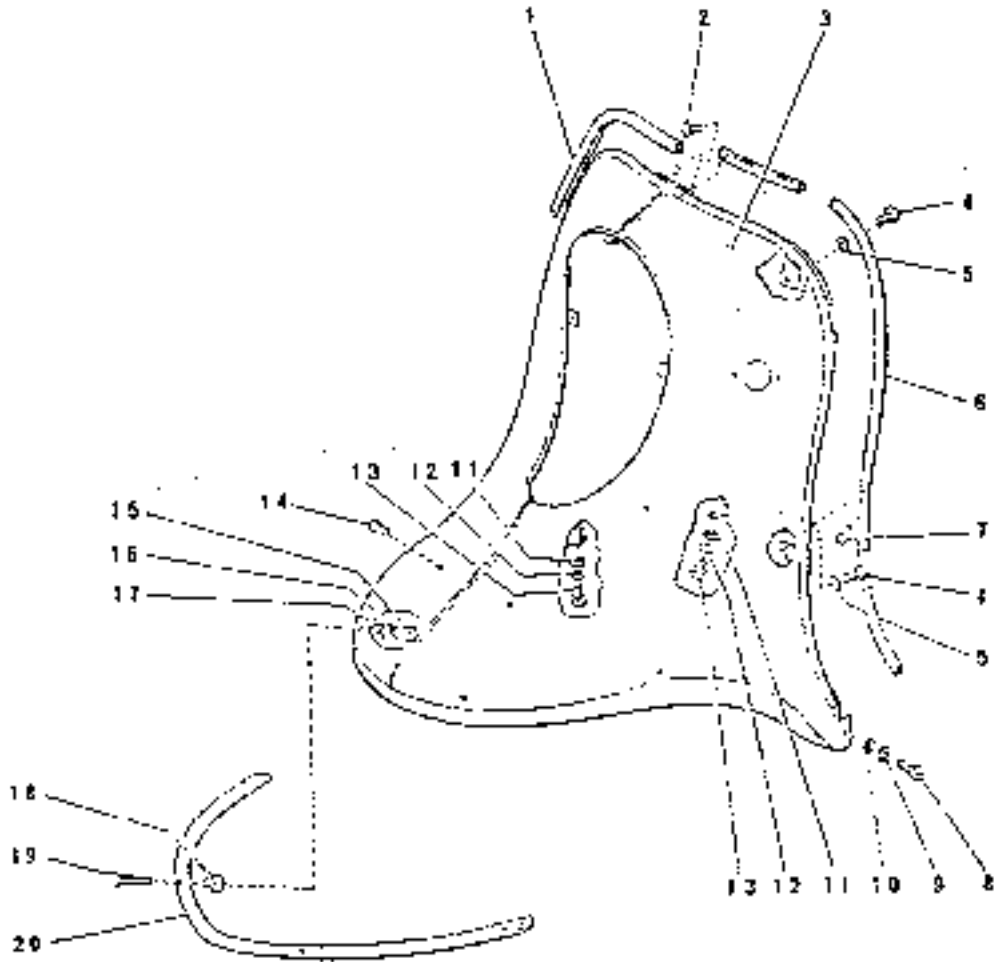
## BODY COVER

Item	Part Number	Description	Qty	Remarks	QTY	QTY	QTY
1	265 330 011	Dual Seat	1				1
	265 330 010	Dual Seat	1				1
2	261 005 001	Weather Strip	1	C/F 7000			1
3	261 005 021	Weather Strip	1	261005020			1
4	261 110 010	Band	1	C/F 7001 and after.			1
	261 110 000	Band	2	C/F 7000 and before.			2
5	031 008 000	Washer	4				4
6	263 011 000	Grip	1				1
7	261 042 000	Stop Rubber	2				2
8	043 004 120	Screw (Pan Head)	3	040004120			3
9	261 003 001	Splashboard	1	261003001			1
10	261 007 000	Plate (Splashboard)	1				1
11	032 006 000	Spring Washer	3				3
12	022 004 110	Nut	3				3
13	032 008 000	Spring Washer	6				6
14	022 008 110	Nut	2				2
15	261 004 010	Cushion Rubber (R)	2				2
	261 120 050	Knob (Side Cover)	2	C/F 7001 and after.			2
16	261 120 010	Knob (Side Cover)	2	C/F 7000 and before.			2
	261 120 000	Knob (Side Cover)	2				2
17	261 016 001	Protector (Foot Rest)	1	C/F 7001 and after.			1
	261 009 000	Protector (Foot Rest)	2	C/F 7000 and before.			2
18	261 017 000	Clip (Retention)	2				2
19	265 300 141	Side Cover (LH)	1	C/F 7001 and after.			1
	265 300 120	Side Cover (LH)	1	C/F 7000 and before.			1
	261 300 070	Side Cover (LH)	1				1
20	261 300 000	Side Cover (LH)	1				1
	261 004 000	Cushion Rubber (F)	2				2
21	261 005 041		2	C/F 7001 and after.			2
	261 005 040	Weather Strip	2	C/F 7000 and before.			2
22	261 005 030	Weather Strip	2				2
	261 005 020	Weather Strip	2				2
23	016 008 404	Bolt	1	016008400			1
24	016 008 160	Bolt	1				1
25	021 008 110	Nut	2				2
	021 008 001	Center Cover	1	C/F 7001 and after.			1
26	261 200 430	Center Cover	1	C/F 7000 and before.			1
27	261 200 410	Center Cover	1				1
28	261 200 400	Center Cover	1				1
29	261 200 390	Center Cover	1				1

## BODY COVER

Items	Part Number	Nomenclature	Qty Req.	Remarks	A		B T	
					A	T	I	II
27	261 300 131	Side Cover (RH)	1	C/# 7001 and after.	x	x	x	0
	261 300 130	Side Cover (RH)	1	C/# 7000 and before.	x	x	0	0
	261 300 060	Side Cover (RH)	1		x	0	x	x
	261 300 010	Side Cover (RH)	1		0	x	x	x
28	261 008 000	Washer	2		0	0	0	0
29	261 001 000	Cap Nut	2		0	0	0	0
30	041 004 100	Screw (Countersunk Head)	4		0	0	0	0
31	261 710 001	Lock Unit	1	C/# 6155 and after.	x	x	x	0
	261 710 000	Lock Unit	1	C/# 6154 and before.	0	0	0	0
32	261 715 000	Bracket	1		0	0	0	0
33	022 006 110	Nut	1		0	0	0	0
34	032 006 000	Spring Washer	1		0	0	0	0
35	261 701 000	Washer	1		0	0	0	0
36	261 701 000	Hook	1	C/# 7001 and after.	x	x	x	0
	261 702 000	Reinforcement	1	C/# 7000 and before.	0	0	0	x
37	265 313 000	Protector Rubber	1		0	0	0	0
38	032 008 000	Spring Washer	2	C/# 7000 and before.	0	0	0	0
39	016 008 140	Wplt	2	C/# 7000 and before.	0	0	0	0
40	265 310 091	Mass Seat	1	(265310000) Separate Seat Type	0	0	0	0
41	265 320 051	Pillion Seat	1	(265320000) "	0	0	0	0
42	261 502 010	Bolt	2	"	0	0	0	0
43	261 501 001	Mat (Carrier)	1	(261501000) "	0	0	0	0
44	261 525 000	Pillion Grip	1	"	0	0	0	0
45	261 510 000	Carrier	1	"	0	0	0	0
46	032 008 000	Spring Washer	2	"	0	0	0	0
47	021 008 110	Nut	2	"	0	0	0	0
48	041 005 120	Screw (Pan Head)	5	(040005120) "	0	0	0	0
49	261 006 009	Hook	4	"	0	0	0	0
50	041 004 120	Screw (Countersunk Head)	8	"	0	0	0	0
51	032 004 000	Spring Washer	8	"	0	0	0	0
52	022 004 110	Nut	8	"	0	0	0	0
53	031 005 000	Spring Washer	5	"	0	0	0	0
54	022 006 110	Nut	5	"	0	0	0	0
55	261 315 003	Side Moulding (LH)	1		x	0	x	x
56	261 315 002	Side Moulding (RH)	1		x	0	x	x

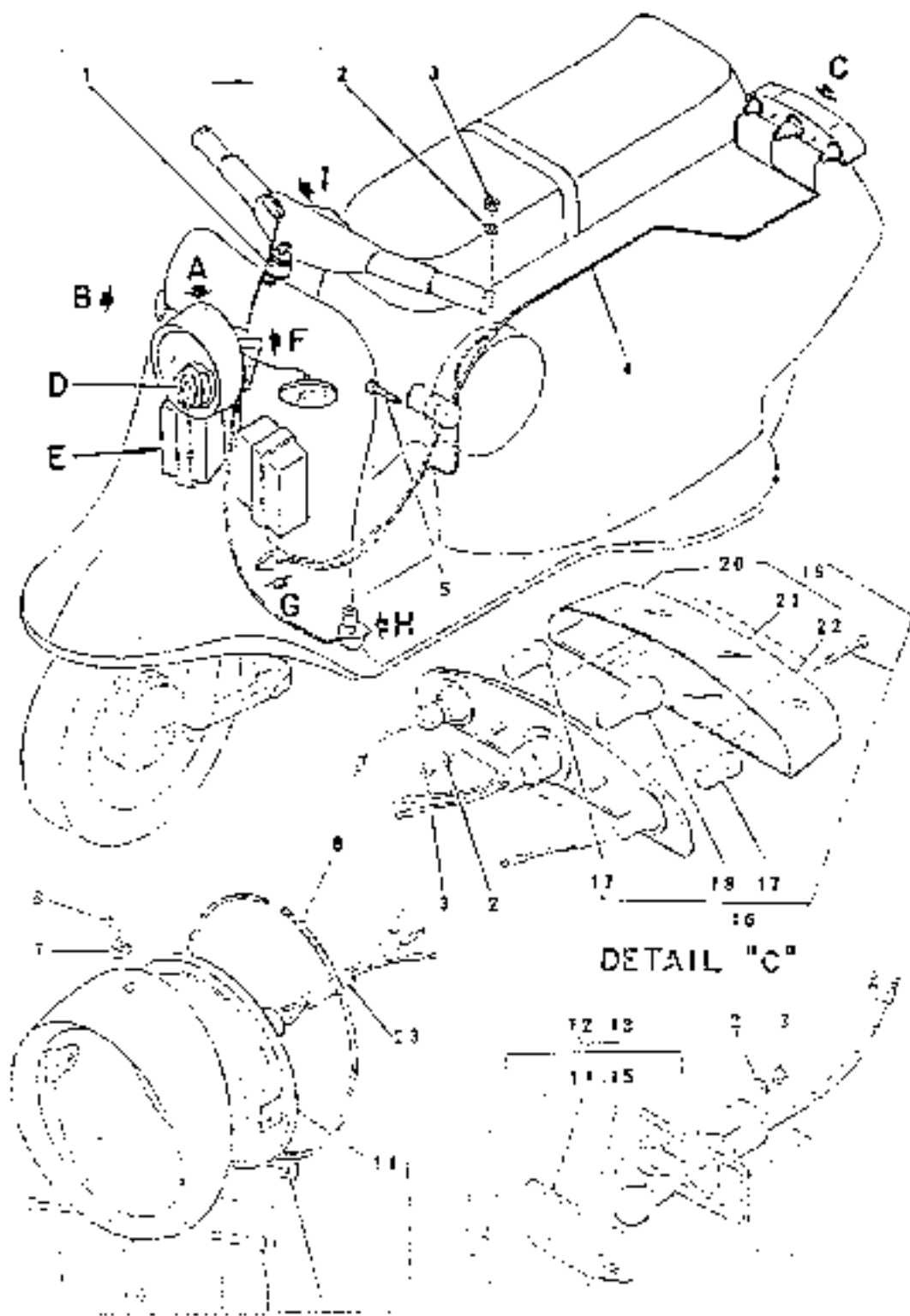
# FRONT FENDER



## FRONT FENDER

Item	Part Number	Nomenclature	Qty Req.	Remarks	A	A T	B T	
							I	II
1	265 601 000	Protector (LH)	1		○	○	○	○
2	058 130 149	Rivet (Countersunk Head)	2		x	○	○	□
	265 600 060	Fender (F)	1	Includes 1, 2, 6, 7, 15-20	x	x	x	□
3	265 600 020	Fender (F)	1	Includes 1, 2, 6, 7, 15-20	x	○	○	x
	265 600 000	Fender (F)	1	Includes 1, 6, 7, 15-20	□	x	x	x
4	043 036 140	Screw (Pan Head)	4	(040006140)	□	○	○	○
5	032 006 000	Spring Washer	4		□	○	○	○
6	265 603 010	Protector (RH)	1		○	□	○	□
7	058 130 169	Rivet (Countersunk Head)	6		○	○	○	○
8	016 005 140	Bolt	2	(040005140)	○	○	○	○
9	032 005 000	Spring Washer	2		□	○	○	○
10	031 204 001	Washer	2		□	○	○	○
	031 204 001	Washer	4	C/E 6155 and after.	x	x	x	□
11	031 204 001	Washer	4	C/E 6154 and before.	□	□	○	□
	032 005 000	Spring Washer	x	C/E 6155 and after.	x	x	x	○
12	032 004 000	Spring Washer	4	C/E 6154 and before.	□	○	○	○
	016 005 140	Bolt	4	C/E 6155 and after.	x	x	x	□
13	040 004 100	Screw (Round Head)	4	C/E 6154 and before.	○	○	○	○
14	298 116 020	Rubber Plug	4		x	x	○	○
15	021 005 110	Nut	4		○	○	○	○
16	032 005 000	Spring Washer	4		○	□	□	□
17	031 205 000	Washer	4	(031105/01)	○	○	○	○
18	265 605 000	Stopper	4		○	○	○	○
19	042 005 350	Screw (Oval Head)	4		○	○	○	○
20	265 611 000	Bumper (F)	1		○	○	○	○

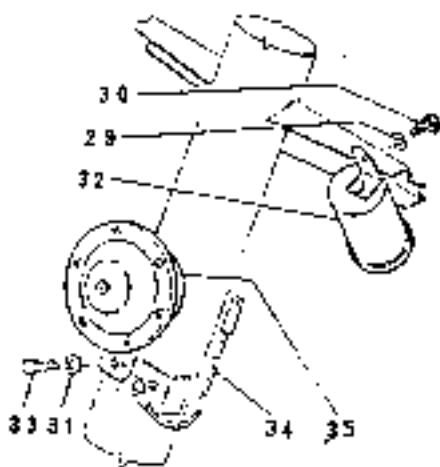
# ELECTRICAL SYSTEM



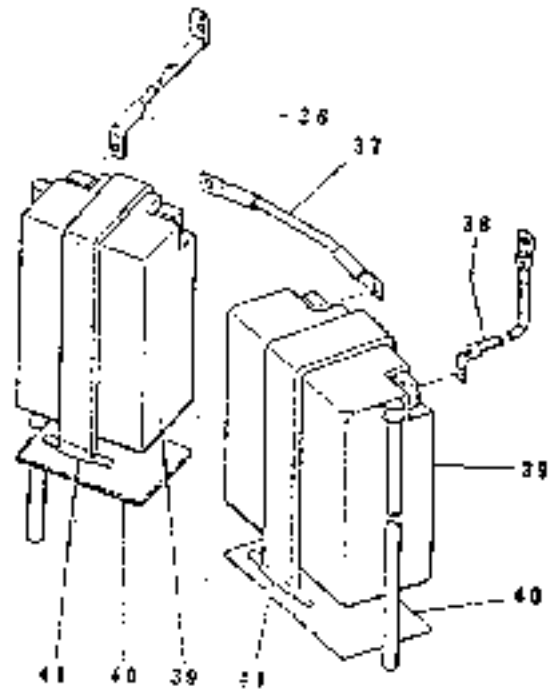
# ELECTRICAL SYSTEM

Item	Part Number	Nomenclature	Qty Req.	Remarks	A		B T	
					A	T	I	U
	281 210 100	Main Switch	1		x	x	x	o
	281 210 080	Main Switch	1		x	x	o	x
1	281 210 050	Main Switch	1	C/P 1663 and after.	x	o	x	x
	281 210 020	Main Switch	1	C/P 1662 and before.	x	o	x	x
	281 210 040	Main Switch	1	C/P 1663 and after.	o	x	x	x
	281 210 000	Main Switch	1	C/P 1662 and before.	o	x	x	x
	2	032 005 000	Spring Washer	8		o	o	o
3	021 005 110	Nut	7		o	o	o	o
4	281 310 070	Wiring Harness	1		x	x	x	o
	281 310 050	Wiring Harness	1		x	x	o	x
	281 310 030	Wiring Harness	1	C/P 1663 and after.	x	o	x	x
	281 310 010	Wiring Harness	1	C/P 1662 and before.	x	o	x	x
	281 310 020	Wiring Harness	1	C/P 1663 and after.	o	x	x	x
281 310 000	Wiring Harness	1	C/P 1662 and before.	o	x	x	x	
5	281 007 000	Bolt	1		o	o	o	o
6	042 004 120	Screw (Oval Head)	3		o	o	o	o
7	281 004 000	Rosette	1		o	o	o	o
8	281 114 000	Rim Packing (Headlight)	1		x	x	o	o
9	281 110 050	Headlight	1	Includes 10, 11, 23	x	x	o	o
	281 110 000	Headlight	1	Includes 10, 11	o	o	x	x
10	281 113 060	Rim (Headlight)	1		x	x	o	o
	281 113 000	Rim (Headlight)	1		o	o	x	x
11	281 111 020	Sealed Beam Unit	1		x	x	o	o
	281 111 000	Sealed Beam Unit	1		o	o	x	x
12	281 130 060	Turn Signal Light (F-LH)	1	Includes 14, 15	x	o	o	o
	281 130 000	Turn Signal Light (F-LH)	1	Includes 14, 15	o	x	x	x
13	281 130 070	Turn Signal Light (F-RH)	1	Includes 14, 15	x	o	o	o
	281 130 010	Turn Signal Light (F-RH)	1	Includes 14, 15	o	x	x	x
14	281 131 020	Globe (Turn Signal Light, F)	2		x	o	o	o
	281 131 000	Globe (Turn Signal Light, F)	2		o	x	x	x
15	281 104 100	Bulb (12V-10/3W)	2		x	o	o	o
	281 104 000	Bulb (12V-10W)	2		o	x	x	x
16	281 103 040	Tail Light	1	Includes 12 - 22	o	o	o	o
	281 103 000	Bulb (12V-10W)	2		x	o	o	o
17	281 103 000	Bulb (12V-10W)	2		o	x	x	x
	281 104 010	Bulb (12V-10/3W)	2		o	o	o	o
18	281 103 000	Globe (Tail Light)	1	Consists of 20 - 22	o	o	o	o
	281 103 000	Globe (Tail Light)	1		o	o	o	o
19	281 103 000	Globe (Tail Light)	1		o	o	o	o
	281 103 000	Globe (Tail Light)	1		o	o	o	o

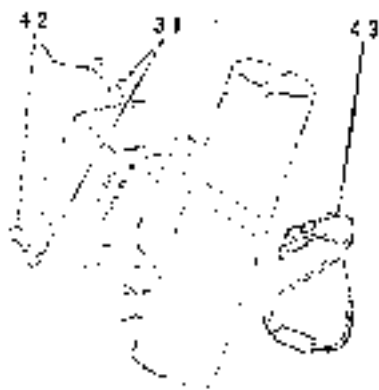
# ELECTRICAL SYSTEM



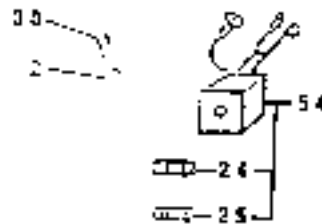
DETAIL "D"



DETAIL "E"



DETAIL "F"



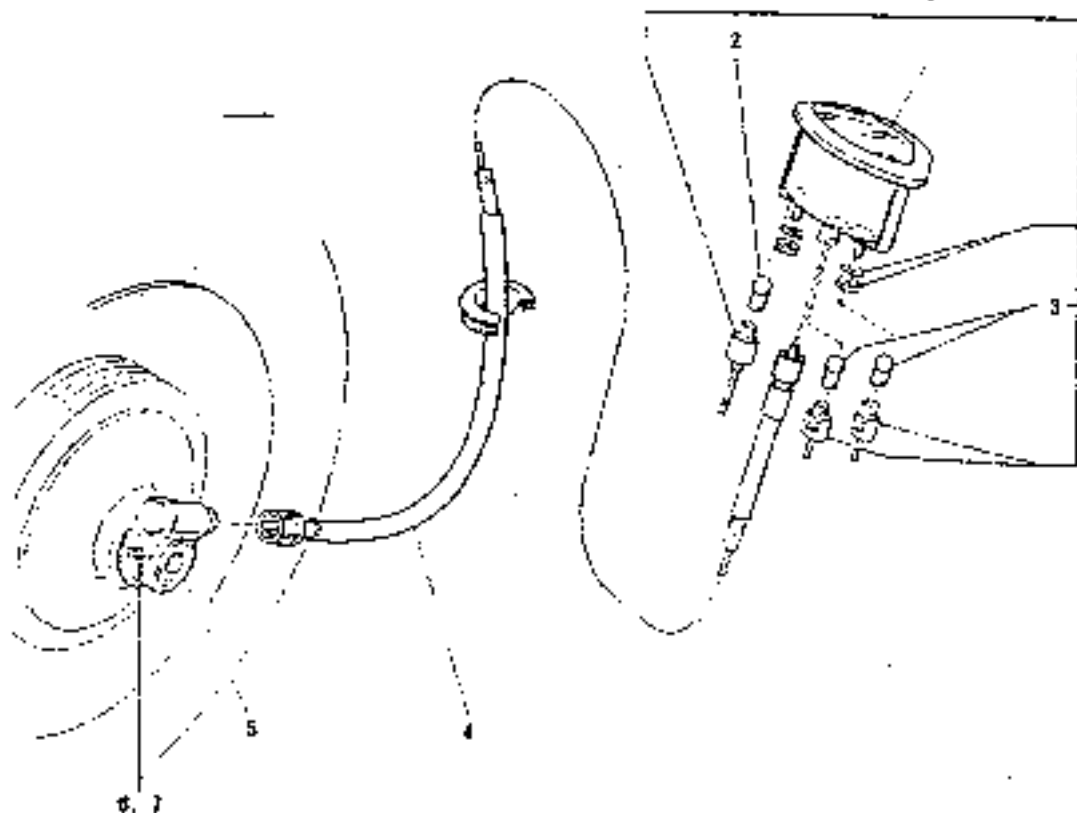
DETAIL "G"

# ELECTRICAL SYSTEM

Item	Part Number	Nomenclature	Qty Req.	Remarks	A		B T	
					A	T	i	u
23	281 112 000	Socket (Headlight)	1		Q	Q	x	x
24	080 220 300	Fuse (20A)	1	C/# 1662 and before.	Q	Q	x	x
25	020 210 300	Fuse (10A)	1	C/# 1662 and before.	Q	Q	x	x
26	020 210 220	Fuse (10A)	1	C/# 1663 and after.	Q	Q	Q	Q
27	281 160 000	Panel Light	1	Includes 28	x	x	Q	Q
28	281 101 030	Bulb (12V-1.5W)	1		x	x	Q	Q
	032 006 000	Spring Washer	1		x	x	Q	Q
29	032 005 000	Spring Washer	1		Q	Q	x	x
	016 306 100	Bolt	1	(016005100)	x	x	Q	Q
30	013 005 140	Screw (Pan Head)	1	(043005140)	Q	Q	x	x
31	032 036 000	Spring Washer	5		Q	Q	Q	Q
	281 011 021	Turn Signal Unit	1	C/# 1663 and after.	Q	Q	Q	Q
32	281 011 000	Turn Signal Unit	1	C/# 1662 and before.	Q	Q	x	x
33	016 006 120	Bolt	2		Q	Q	Q	Q
34	481 072 000	Earth Cord	1		Q	Q	Q	Q
35	161 020 010	Horn	1	(291020000)	Q	Q	Q	Q
	121 001 049	Cord (Battery-Regulator)	1	C/# 1663 and after.	Q	Q	Q	Q
	161 001 030	Cord (Battery-Regulator)	1	C/# 1662 and before.	Q	Q	x	x
	161 001 020	Cord (Battery-Battery)	1		x	x	Q	Q
	191 001 010	Cord (Battery-Battery)	1		Q	Q	x	x
36	281 002 010	Cord (Battery-Earth)	1		Q	Q	Q	Q
37	161 010 000	Battery (6V-31Ah)	2		Q	Q	Q	Q
38	161 004 000	Seat (Battery)	2		Q	Q	Q	Q
39	161 015 020	Battery Band	2		Q	Q	Q	Q
40	043 006 140	Screw (Pan Head)	3	(040006140)	Q	Q	Q	Q
41	161 001 020	Fuse Holder	1	C/# 1663 and after.	Q	Q	Q	Q
42	021 120 000	Stop Switch	1		Q	Q	Q	Q
43	261 006 000	Clip	1		Q	Q	Q	Q
44	031 005 000	Washer	2		Q	Q	Q	Q
45	016 006 100	Bolt	1	(040006100)	Q	Q	Q	Q
46	022 005 110	Nut	3		Q	Q	Q	Q
47	031 114 001	Washer	1		Q	Q	Q	Q
48	281 005 000	Clip (Band)	1		Q	Q	Q	Q
	281 230 001	Dimmer Switch	1	(281230001) C/# 1663 and after.	Q	Q	Q	Q
49	231 230 000	Dimmer Switch	1	C/# 1662 and before.	Q	Q	x	x
50	043 006 140	Screw (Pan Head)	3	(040006140)	Q	Q	Q	Q
51	043 005 120	Screw (Pan Head)	1	(040005120)	x	x	Q	Q
52	016 006 100	Bolt	1	(016006100) C/# 1662 and before.	Q	Q	x	x

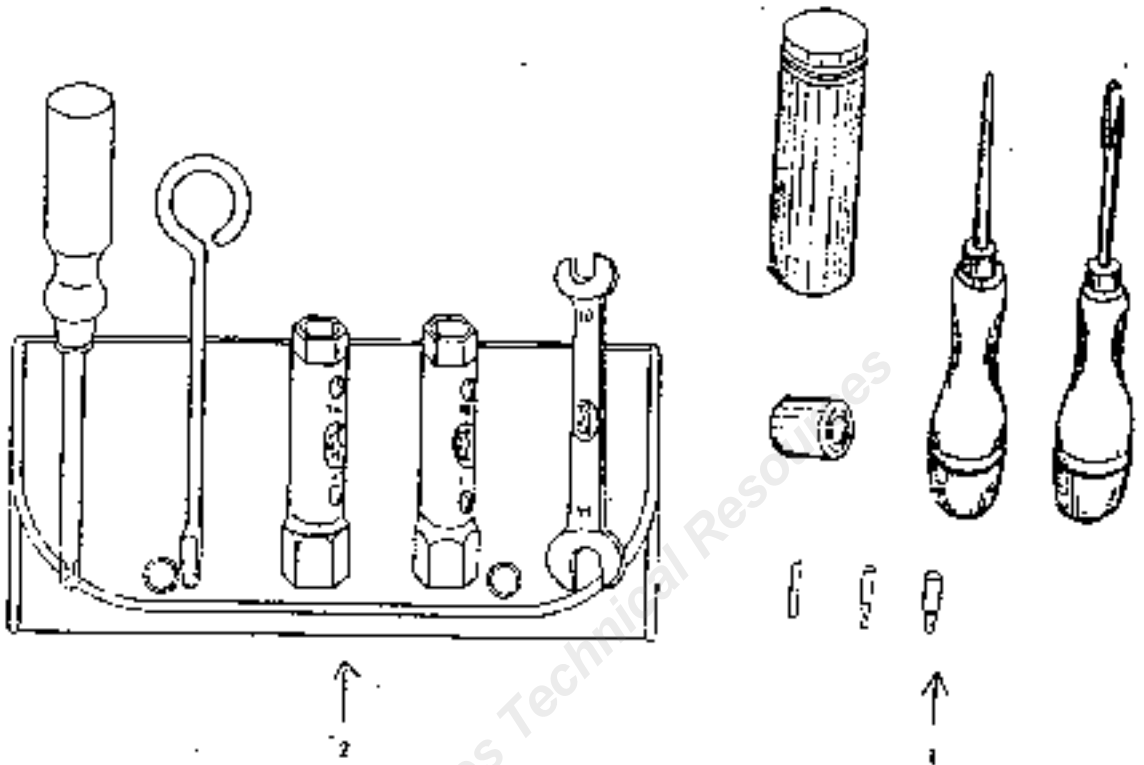


# SPEEDOMETER



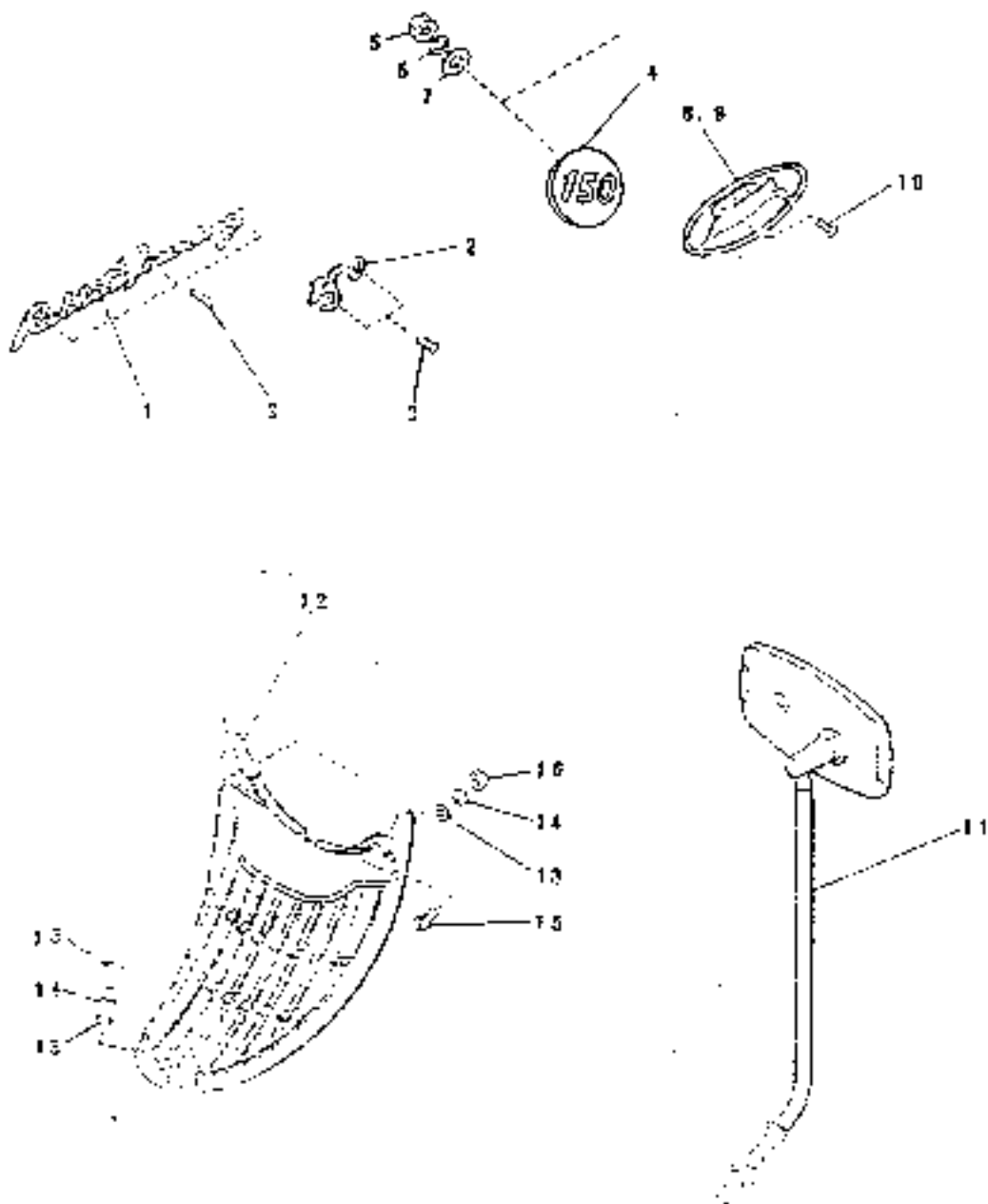
QTY	Part Number	Nomenclature	Qty Req.	Remarks	A	A	B	I
	229 010 310	Speedometer (km/h)	1	Includes 2, 3.				
	243 010 080	Speedometer (km/h)	1	Includes 2, 3.				
	289 010 040	Speedometer (km/h)	1	Includes 2, 3. C/F 1601 and after.				
1	* See note 1	Speedometer (km/h)	1	Includes 2, 3. C/F 1600 and before.				
	265 010 160	Speedometer (mph)	1	Includes 2, 3.				
	288 010 090	Speedometer (mph)	1	Includes 2, 3.				
	238 013 060	Speedometer (mpg)	1	Includes 2, 3.				
1	261 101 030	Bulb (12V-1.5W)	1					
1	261 101 010	Bulb (12V-3W)	2					
	208 010 040	Speedometer Cable	1					
	230 010 010	Speedometer Cable	1					
	250 010 060	Speedometer Cable	1	Ampl. C/F 1101 and later Impul. C/F 1701 and after Cable. C/F 1101 and before Cable. C/F 1701 and after.				
	203 000 010	Speedometer Driving Unit	1	(23000030) Includes 6, 7.				
	202 000 010	Speedometer Driving Unit	1	Includes 6, 7.				
	231 010 010	Pressure Nipple	1					
	201 010 010	Pressure Nipple Cap	1					

# TOOL KITS



Item	Part Number	Nomenclature	Qty Req.	Remarks	A	A I	E	
							I	II
1	298 033 000	Fire Repair Kit	1		○	○	○	○
2	299 100 010	Tool Kit	1	(299100001)	○	○	○	○

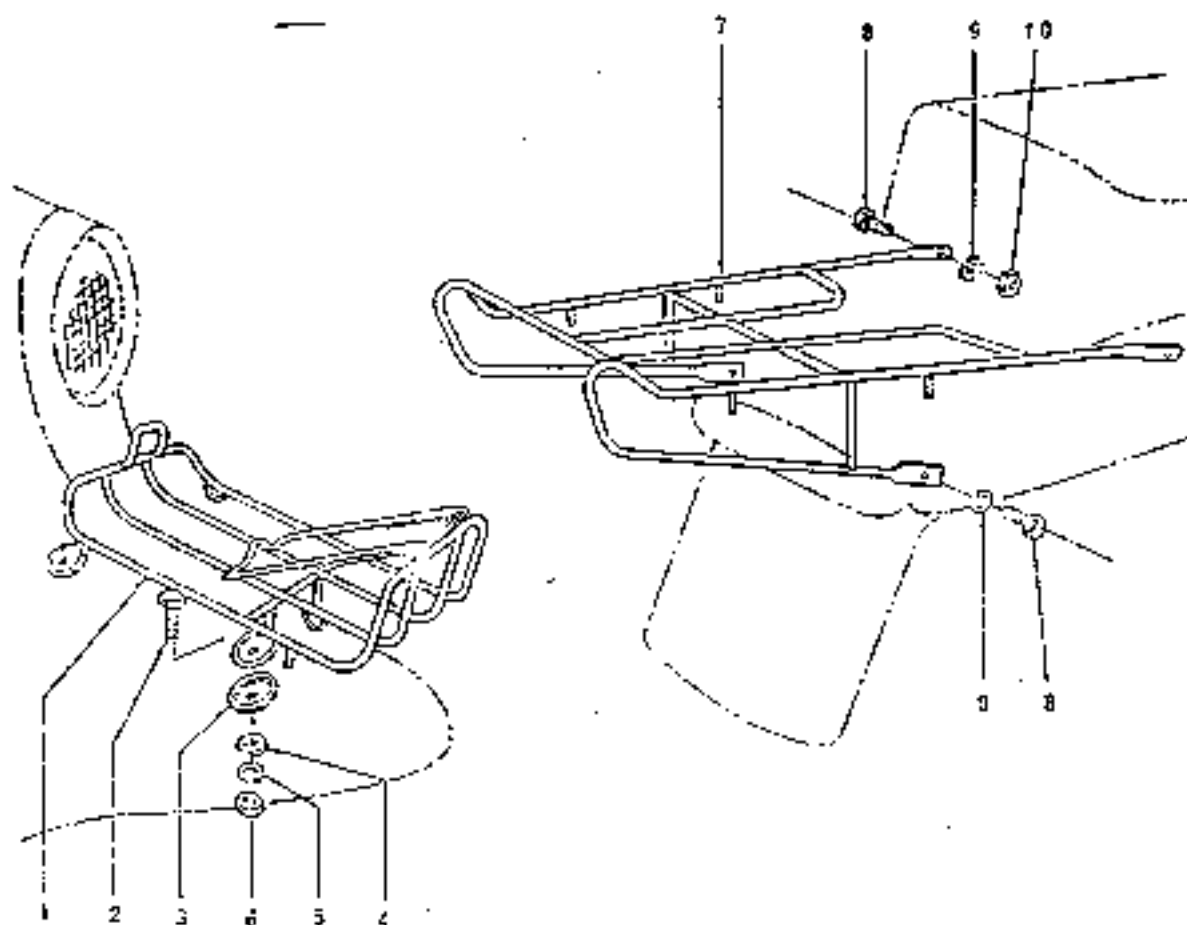
# ACCESSORIES



## ACCESSORIES

Item	Part Number	Nomenclature	Qty Req.	Remarks	A	A T	B T	
							I	H
1	291 002 050	Letter Mark	2	"Rabbit Touring"	x	o	o	o
2	291 003 070	Mark (150)	1		x	x	o	o
3	057 120 060	Rivet (Round Head)	8	(057120069)	o	o	o	o
4	291 002 080	Mark (150)	1		x	o	x	x
5	022 003 110	Nut	2		x	o	x	x
6	032 003 000	Spring Washer	2		x	o	x	x
7	031 104 000	Washer	2		x	o	x	x
8	291 003 000	Mark (Rabbit, LH)	1		o	x	x	x
9	291 003 010	Mark (Rabbit, RH)	1		o	x	x	x
10	057 120 069	Rivet	4		o	x	x	x
11	291 015 060	Rear-View Mirror	2		x	o	o	o
	291 015 020	Rear-View Mirror	1		o	x	x	x
12	291 201 020	Front Grill	1		x	x	x	o
	291 201 000	Front Grill	1		o	o	o	x
13	031 035 000	Washer	3		o	o	o	o
14	032 035 000	Spring Washer	3		o	o	o	o
15	053 005 120	Screw (Pan Head)	3	(053005120)	o	o	o	o
16	022 005 110	Nut	2		o	o	o	o

# FRONT CARRIER & REAR CARRIER



Item	Part Number	Nomenclature	Qty Req.	Remarks	A			
					A	B	T	T
1	281 500 101	Front Carrier	1			0	0	0
2	016 006 140	Bolt	4			0	0	0
	231 502 004	Disc	4	(125325012)		0	0	0
4	011 206 004	Washer	4			0	0	0
5	032 006 009	Spring Washer	4			0	0	0
6	701 006 110	Pin	4			0	0	0
	201 570 002	Rear Carrier	1			0	0	0
	201 570 010	Front Carrier	1			0	0	0
	131 002 001	Pin	1			0	0	0
	131 002 002	Pin	1			0	0	0
	131 002 003	Pin	1			0	0	0
	131 002 004	Pin	1			0	0	0
	131 002 005	Pin	1			0	0	0
	131 002 006	Pin	1			0	0	0
	131 002 007	Pin	1			0	0	0
	131 002 008	Pin	1			0	0	0
	131 002 009	Pin	1			0	0	0
	131 002 010	Pin	1			0	0	0
	131 002 011	Pin	1			0	0	0
	131 002 012	Pin	1			0	0	0
	131 002 013	Pin	1			0	0	0
	131 002 014	Pin	1			0	0	0
	131 002 015	Pin	1			0	0	0
	131 002 016	Pin	1			0	0	0
	131 002 017	Pin	1			0	0	0
	131 002 018	Pin	1			0	0	0
	131 002 019	Pin	1			0	0	0
	131 002 020	Pin	1			0	0	0
	131 002 021	Pin	1			0	0	0
	131 002 022	Pin	1			0	0	0
	131 002 023	Pin	1			0	0	0
	131 002 024	Pin	1			0	0	0
	131 002 025	Pin	1			0	0	0
	131 002 026	Pin	1			0	0	0
	131 002 027	Pin	1			0	0	0
	131 002 028	Pin	1			0	0	0
	131 002 029	Pin	1			0	0	0
	131 002 030	Pin	1			0	0	0
	131 002 031	Pin	1			0	0	0
	131 002 032	Pin	1			0	0	0
	131 002 033	Pin	1			0	0	0
	131 002 034	Pin	1			0	0	0
	131 002 035	Pin	1			0	0	0
	131 002 036	Pin	1			0	0	0
	131 002 037	Pin	1			0	0	0
	131 002 038	Pin	1			0	0	0
	131 002 039	Pin	1			0	0	0
	131 002 040	Pin	1			0	0	0
	131 002 041	Pin	1			0	0	0
	131 002 042	Pin	1			0	0	0
	131 002 043	Pin	1			0	0	0
	131 002 044	Pin	1			0	0	0
	131 002 045	Pin	1			0	0	0
	131 002 046	Pin	1			0	0	0
	131 002 047	Pin	1			0	0	0
	131 002 048	Pin	1			0	0	0
	131 002 049	Pin	1			0	0	0
	131 002 050	Pin	1			0	0	0

# ***MOTORCYCLE PARTS & ACCESSORIES***

*Click on links below*

*[Fuji Rabbit Scooter History & Technical Specifications](#)*

*[Motorcycle Parts & Accessories](#)*

*[Dirt Bike Parts & Accessories](#)*

*[Harley Davidson Parts & Accessories](#)*

*[Motorcycle Helmet Closeout Sale](#)*

*[Japanese Motorcycle Original Equipment Parts](#)*

*[Save On All Motorcycle Tires](#)*

*[Motorcycle Jacket Closeout Sale](#)*

*[High Visibility Motorcycle Safety Gear](#)*

*[Cycle Gear – Free Shipping](#)*

*[Women's Motorcycle Riding Gear](#)*

*[Free Shipping On All Motorcycles](#)*

*[Save Up To 80% On All Car Parts](#)*



<https://www.motorcycle-manual.com/>

*[www.ClassicCycles.org](http://www.ClassicCycles.org)*