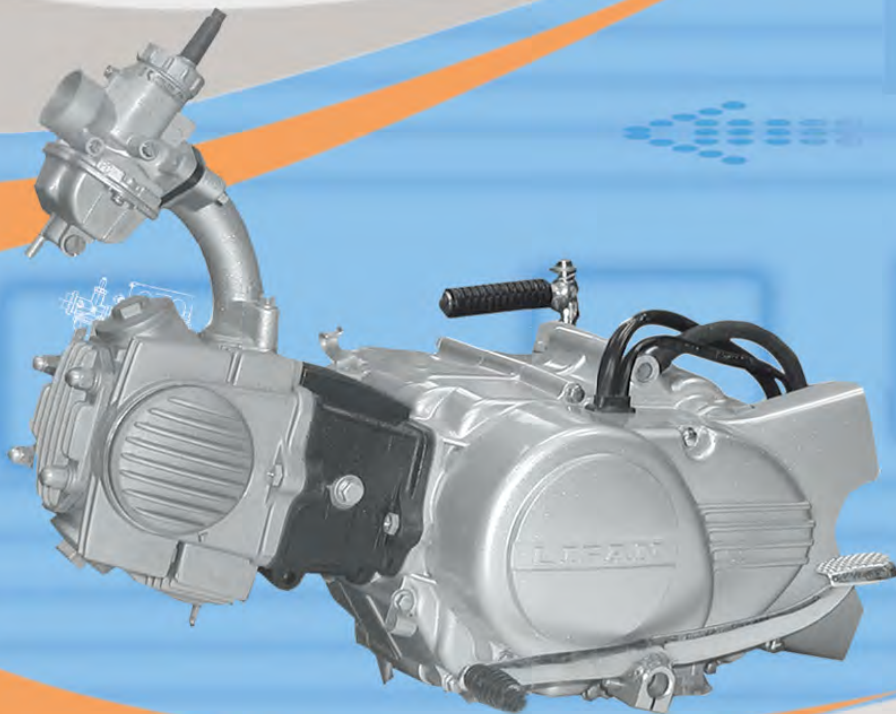


PARTS CATALOGUE FOR ENGINE

 First edition in Jan., 2008



ENGINE



1P52FMI



Lifan Industry (Group) Co., Ltd.

PREFACE

Combined with all the specialty and advantages of the same models from both domestic and abroad, 1P52FMI is one of the newly engines developed by our Co. It is characterized by strong power, low fuel-consumption and low noise as well as popular and fashionable shape. An engine of 1P52FMI will be your best choice.

To benefit customers, we carefully compile the **PARTS CATALOGUE FOR 1P52FMI ENGINE**. Users can easily grasp characteristics of 1P52FMI engine through the illustrations, names, quantities, etc. in the catalogue. Please refer to this book when you order the parts. If any difference in the book from actual engine status, please do as per the real.

The copyright of this catalogue belongs to Lifan Industry Group Co., Ltd., any group or individual is forbidden to reprint or copy any item from it. The catalogue is subject to change without notice.

For undated reference the latest edition of the publication referred to applies.

Lifan Industry (Group) Co., Ltd.

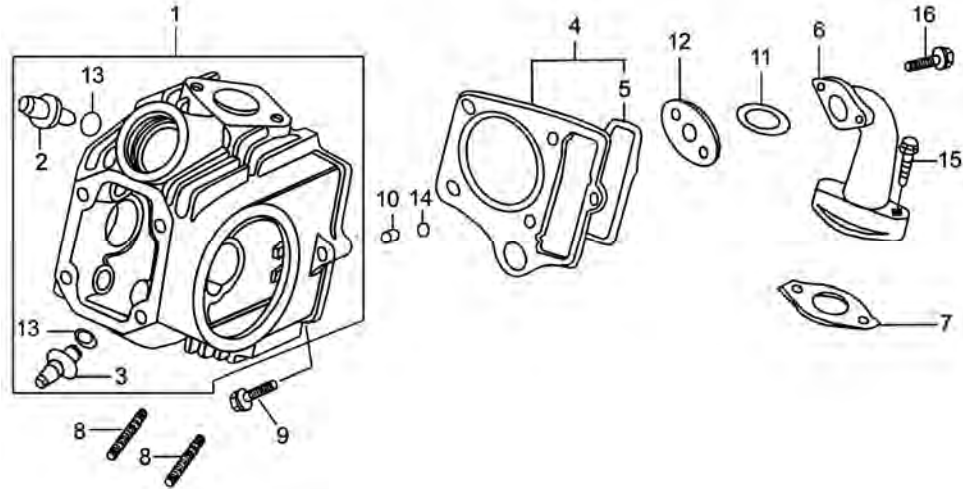
Jan., 2008 First Edition

Table of Content

E-1 Cylinder Head Cover	1
E-2 Cylinder Head	2
E-3 Crankshaft & Valves	6
E-4 Timing Chain & Tensioner	7
E-5 Cylinder	9
E-6 Right Crankcase Cover	10
E-7 Clutch	12
E-8 Left Crankcase Cover & Magneto	14
E-9 Crankcase & Oil Pump	16
E-10 Crankcase & Piston	18
E-11 Transmission	20
E-12 Start Device	22

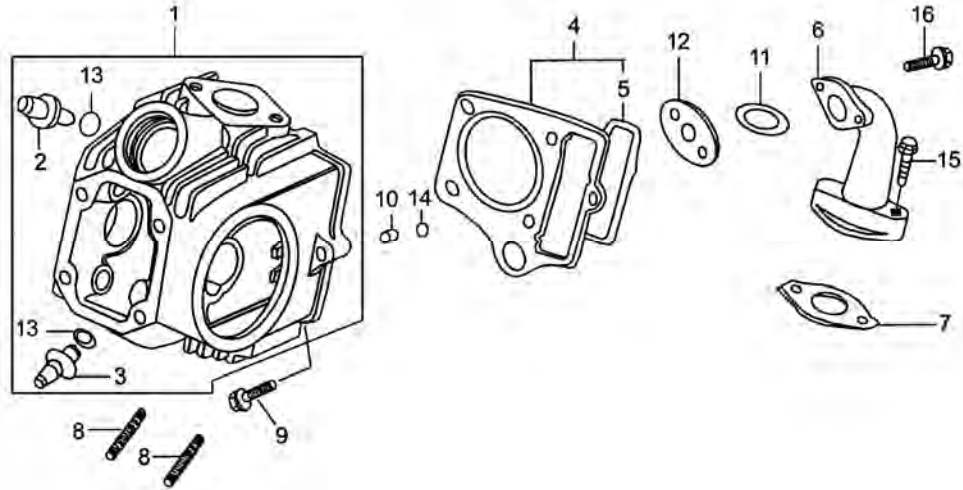
E-13 Gearshift Drum	24
E-14 Carburetor	26
E-15 Electric Elements	27
E-16 Second inlet system	28

E-2 Cylinder Head



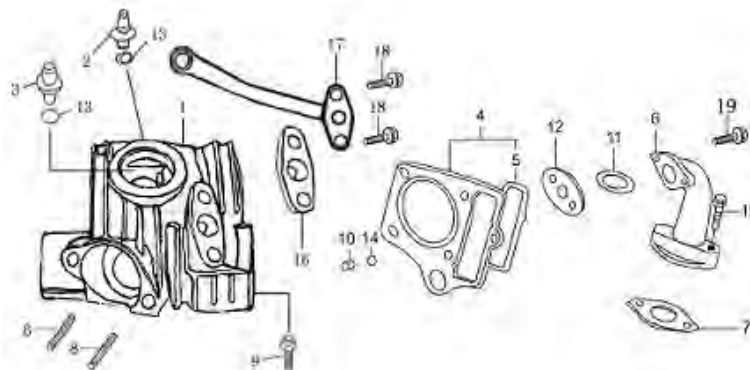
S/N	Part No.	Description	Quantity	Remark
1	12210	Head comp., cylinder	1	
2	12214/1P50FMG	Guide, intake valve	1	
3	12215/1P50FMG	Guide, Exhaust Valve	1	
4	12220	Gasket comp., cylinder head	1	
5	12270	Gasket comp., chain chamber	1	
6	17311	Pipe, inlet	1	
7	17332/1P50FMG	Gasket, inlet pipe	1	
8	GB/T898	Bolt M6×32	2	
9	GB/T29.2	Bolt M6×23	1	
10	15441/1P50FMG	Bush, cylinder block oilφ8×9	1	
11	17321/1P50FMG	O-Ring	1	
12	17331/1P50FMG	Insulating Gasket, Inlet Pipe	1	
13	12216/1P50FMG	O-Ring	2	
14	15442/1P50FMG	Seal	1	
15	GB/T5783	Bolt M6×28	2	

E-2 Cylinder Head



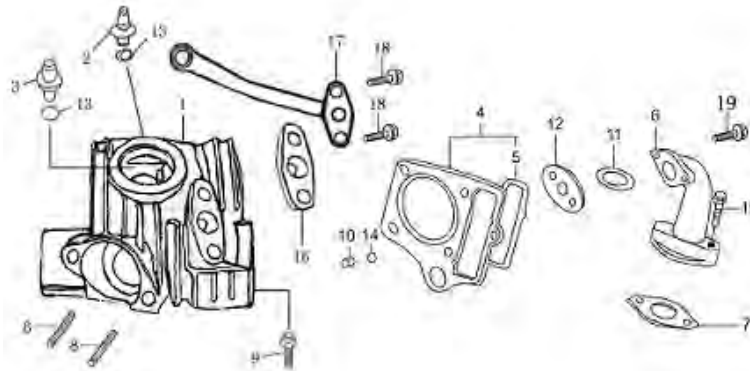
S/N	Part No.	Description	Quantity	Remark
16	GB/T5783	Bolt M6×22	2	

E-2 Cylinder Head (Secondary-air aeration condition)



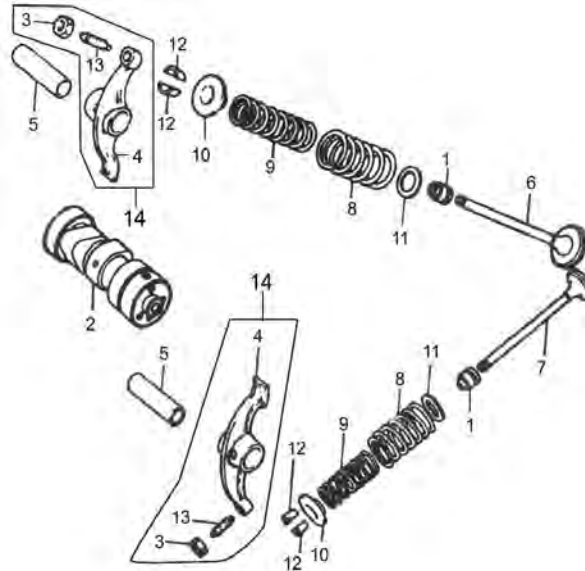
S/N	Part No	Description	Quantity	Remark
1	12210	Head comp., cylinder	1	
2	12214/1P50FMG	Guide, intake valve	1	
3	12215/1P50FMG	Guide, exhaust valve	1	
4	12220	Gasket comp., cylinder head	1	
5	12270/1P50FMG	Gasket comp., chain chamber	1	
6	17311/1P50FMG	Pipe, inlet	1	
7	17332/1P50FMG	Gasket, inlet pipe	1	
8	GB/T 898	Bolt M6×32	2	
9	GB/T 29.2	Bolt M6×23	1	
10	15441/1P50FMG	Bush, cylinder block oil	1	
11	17321/1P50FMG	O-ring II, inlet pipe	1	
12	17331/1P50FMG	Insulator, inlet pipe	1	
13	12216/1P50FMG	O-ring, guide	2	
14	15442/1P50FMG	Gasket, cylinder block rectangular	1	
15	GB/T 5783	Bolt M6×28	2	

E-2 Cylinder Head (Secondary-air aeration condition)



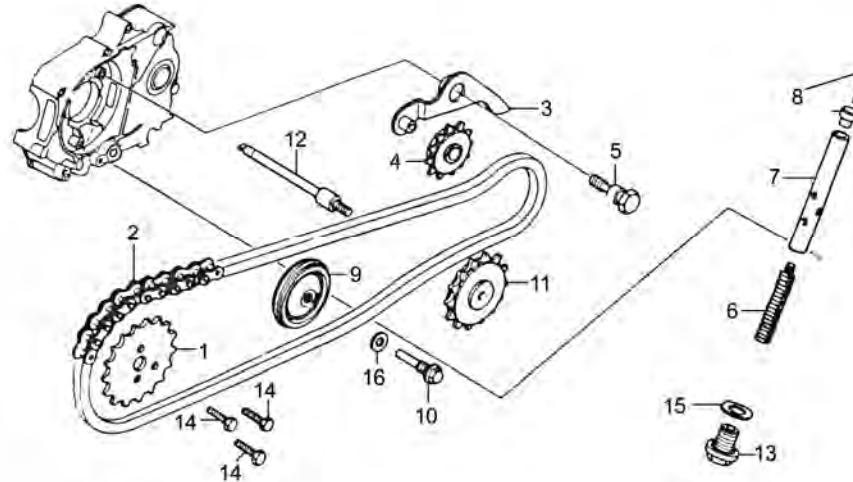
S/N	Part No	Description	Quantity	Remark
16	20661/1P50FMG	Shim, check valve vent pipe	1	
17	20650/1P50FMG	Pipe comp., check valve vent	1	
18	GB/T 16674.1	Bolt M6×16	2	
19	GB/T 16674.1	Bolt M6×22	2	

E-3 Camshaft & Valves



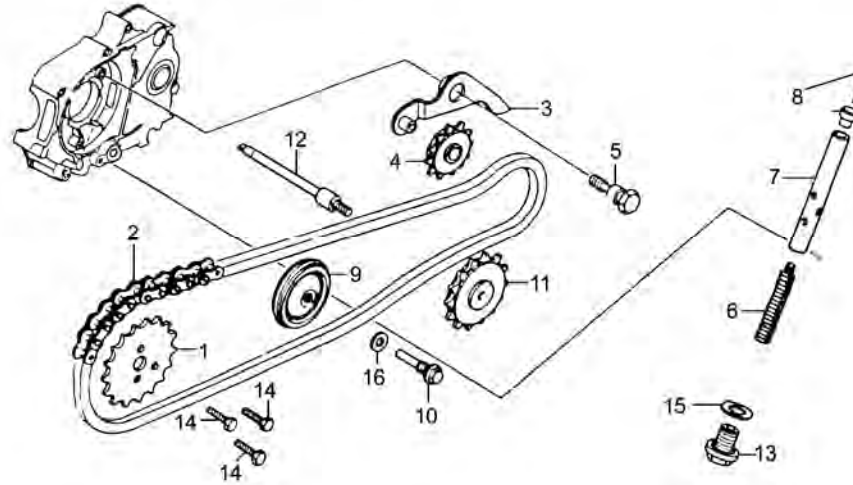
S/N	Part No.	Description	Quantity	Remark
1	14730/1P50FMG	Seal, valve stem	2	
2	14100/1P50FMG	Camshaft Assy	1	
3	14416/1P50FMG	Stopper, auto-reducer	2	
4	14411/1P50FMG	Rocker, valve	2	
5	14413/1P50FMG	Shaft, rocker	2	
6	14710/1P50FMG	Valve, intake	1	
7	14720/1P50FMG	Valve, exhaust	1	
8	14755/1P50FMG	Spring, valve outer	2	
9	14756/1P50FMG	Spring, valve inner	2	
10	14751/1P50FMG	Retainer, valve spring	2	
11	14753/1P50FMG	Seat, valve spring outer	2	
12	14752/1P50FMG	Split cone, valve	4	
13	14415/1P50FMG	Screw, valve adjusting	2	
14	14410/1P50FMG	Locknut, valve	2	
		Rocker comp.		

E-4 Timing Chain & Tensioner



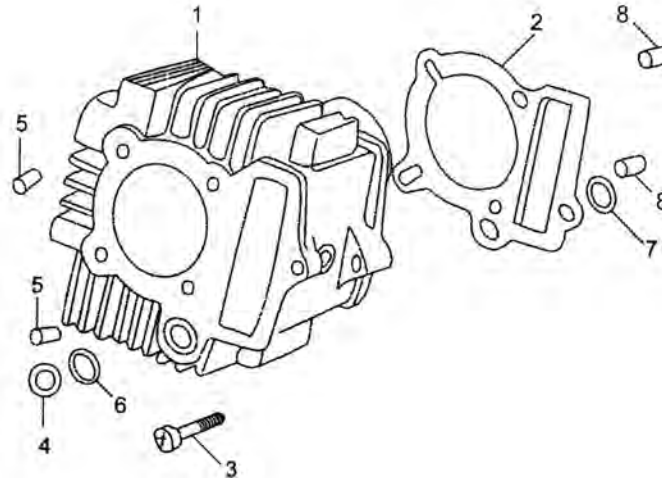
S/N	Part No.	Description	Quantity	Remark
1	14321/1P50FMG	Sprocket, timing driven	1	
2	14350/1P50FMG	Chain, timing	1	
3	14670/1P50FMG	Arm comp., tensioning	1	
4	14680/1P50FMG	Roller, tensioning	1	
5	14661/1P50FMG	Screw, tensioning plate	1	
6	14513/1P50FMG	Spring, tensioning rod	1	
7	14530/1P50FMG	Rod comp., tensioning	1	
8	14514/1P50FMG	Head, tensioning rod	1	
9	14610/1P50FMG	Guide	1	
10	14621/1P50FMG	Pin, guide	1	
11	15210/1P50FMG	Sprocket comp., oil pump drive	1	
12	15222/1P50FMG	Shaft, oil pump sprocket	1	
13	14518/1P50FMG	Plug, tensioner	1	
14	GB/T 5783	Bolt M5×12	3	
15	14519/1P50FMG	Seal, tensioner	1	

E-4 Timing chain & Tensioner



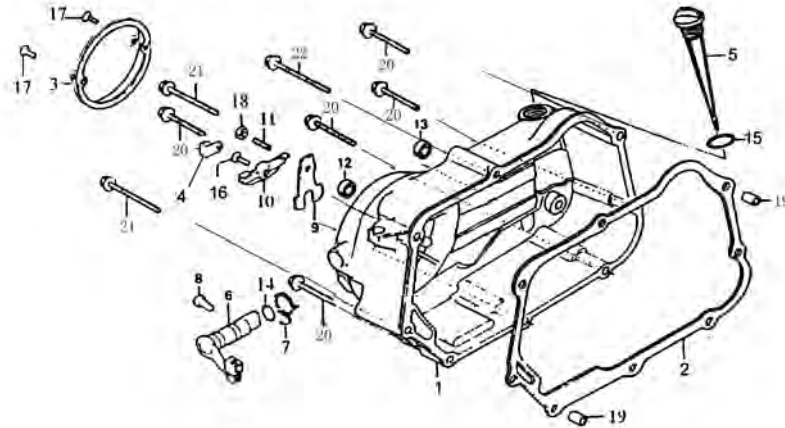
S/N	Part No	Description	Quantity	Remark
16	14622/1P50FMG	Washer, guide	1	

E-5 Cylinder



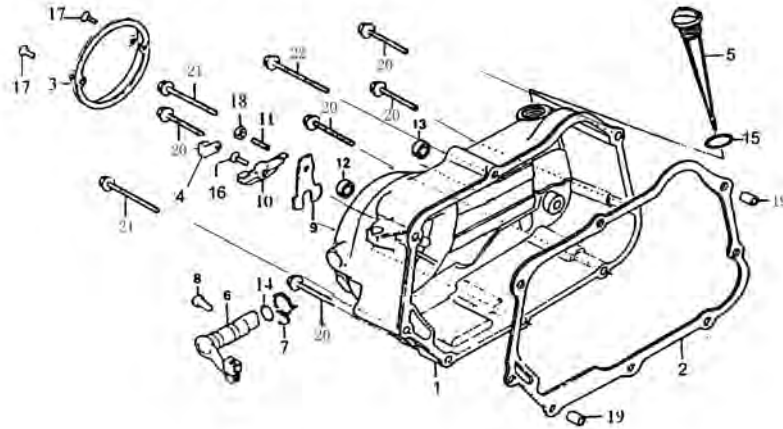
S/N	Part No.	Description	Quantity	Remark
1	12112	Block, cylinder	1	
2	12121/1P50FMG	Gasket, cylinder block	1	
3	GB/T 29.2	Bolt M6×23	1	
4	12135/1P50FMG	Washer, cylinder block	1	
5	12218/1P50FMG	Dowel pin, cylinder head	2	
6	12133/1P50FMG	Gasket I, rectangular	1	
7	12134/1P50FMG	Gasket II, rectangular	1	
8	11318/1P50FMG	Dowel pin, crankcase cover, RH	2	

E-6 Right Crankcase Cover



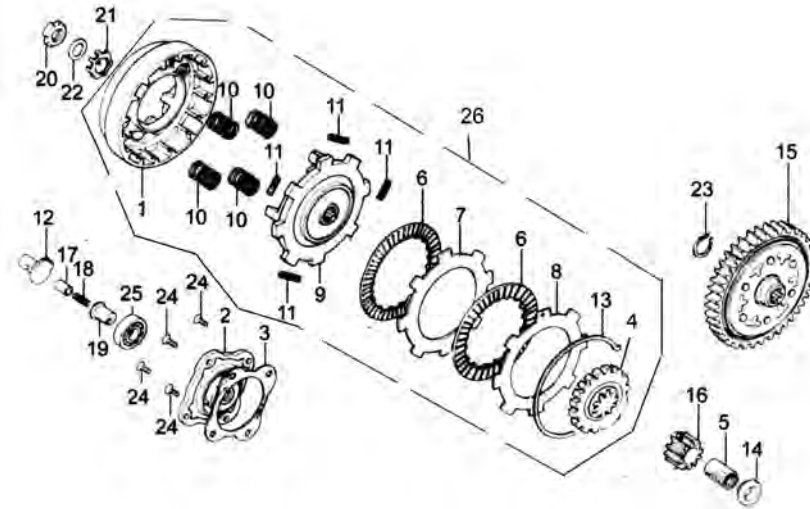
S/N	Part No.	Description	Quantity	Remark
1	11310/1P50FMG	Cover comp., crankcase, RH	1	
2	11319/1P50FMG	Gasket, crankcase cover, RH	1	
3	11331/1P50FMG	Lid, small, RH	1	
4	34931/1P50FMG	Clip, ignition coil wire	1	
5	15611/1P50FMG	Dipstick, plastic	1	
6	22810/1P50FMG	Lever comp., clutch	1	
7	22821/1P50FMG	Spring, clutch lever	1	
8	22825/1P50FMG	Pin, clutch lever	1	
9	22826/1P50FMG	Detent, clutch	1	
10	22827/1P50FMG	Plate, clutch lever pressure	1	
11	22851/1P50FMG	Screw, clutch adjusting	1	
12	22830/1P50FMG	O-ring, clutch lever	1	
13	27190/1P50FMG	Oil seal, starting shaft	1	
14	22823/1P50FMG	O-ring, clutch lever	1	
15	15612/1P50FMG	O-ring, dipstick	1	

E-6 Right Crankcase Cover



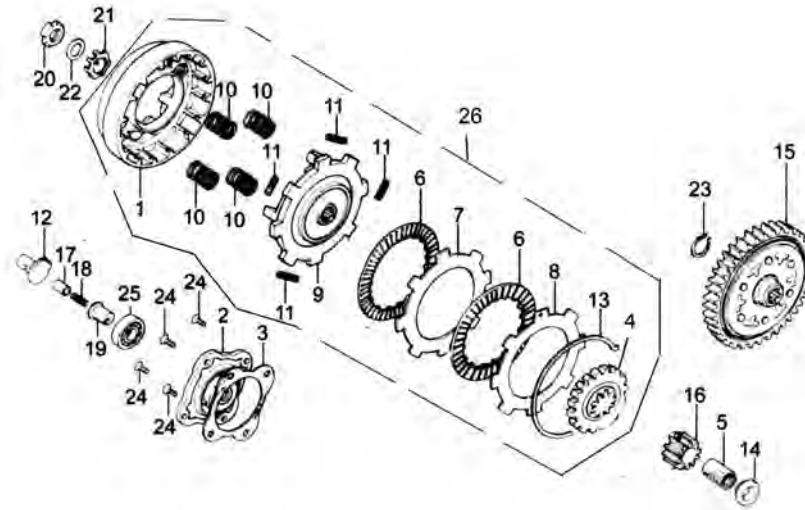
S/N	Part No.	Description	Quantity	Remark
16	GB/T 819.1	Screw M6×16	1	
17	GB/T 69	Screw M5×12	2	
18	GB/T 6170	Nut M6	1	
19	11318/1P50FMG	Dowel pin, crankcase cover, RH	2	
20	GB/T 16674.1	Bolt M6×40	5	
21	GB/T 16674.1	Bolt M6×80	2	
22	GB/T 16674.1	Bolt M6×65	1	

E-7 Clutch



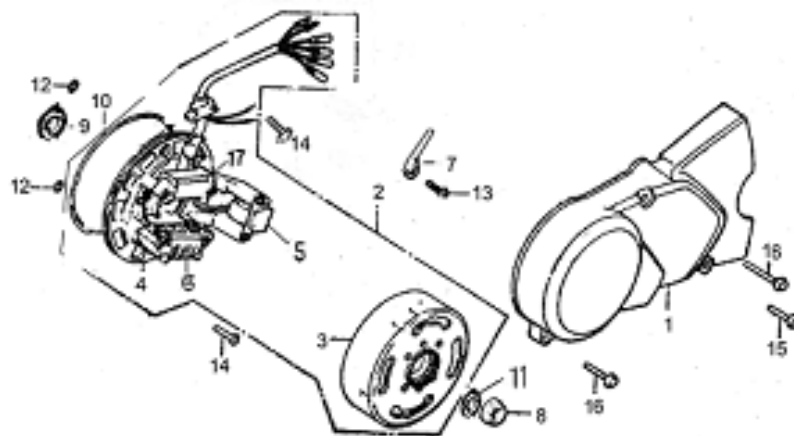
S/N	Part No.	Description	Quantity	Remark
1	22114/1P50FMG	Cowl, clutch	1	
2	22361/1P50FMG	Plate, clutch lifter	1	
3	22362/1P50FMG	Gasket, clutch lifter plate	1	
4	22322/1P50FMG	Sleeve, clutch drive gear outer	1	
5	22622/1P50FMG	Bush, primary drive gear	1	
6	22340/1P50FMG	Plate set, clutch	2	
7	22331/1P50FMG	Disc I, clutch friction	1	
8	22381/1P50FMG	Disc II, clutch friction	1	
9	22111/1P50FMG	Disc, clutch	1	
10	22371/1P50FMG	Spring, clutch	4	
11	22375/1P50FMG	Spring, clutch damping	4	
12	22860/1P50FMG	Pusher comp., clutch	1	
13	22376/1P50FMG	Snap ring, clutch	1	
14	22374/1P50FMG	Washer, clutch	1	
15	22610/1P50FMG	Gear comp., primary driven	1	

E-7 Clutch



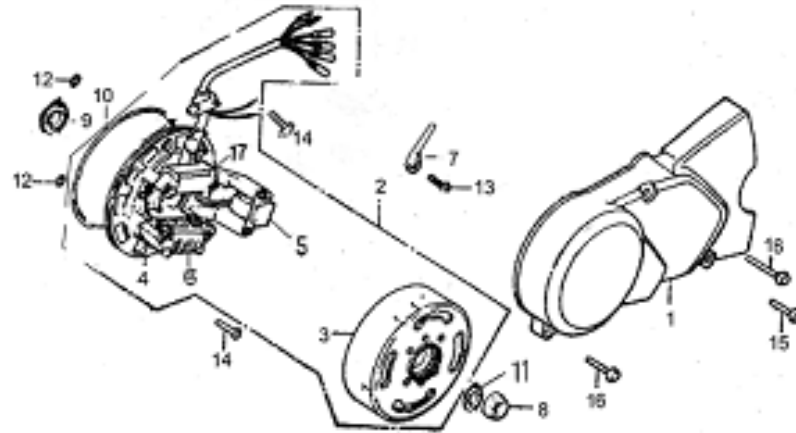
S/N	Part No.	Description	Quantity	Remark
16	22621/1P50FMG	Gear, primary drive	1	
17	15431/1P50FMG	Pipe, crankshaft	1	
18	15432/1P50FMG	Spring, crankshaft spring	1	
19	15433/1P50FMG	Bush, crankshaft oil	1	
20	22631/1P50FMG	Locknut, primary drive gear	1	
21	22632/1P50FMG	Washer, primary drive gear thrust	1	
22	22633/1P50FMG	Washer, primary drive gear dish	1	
23	22634/1P50FMG	Retainer, primary driven gear	1	
24	GB/T 819.1	Screw M5×12	4	
25	GB/T 276	Bearing 6000	1	
26	22100/1P50FMG	Main body, clutch	1	

E-8 Left Crankcase Cover & Magneto



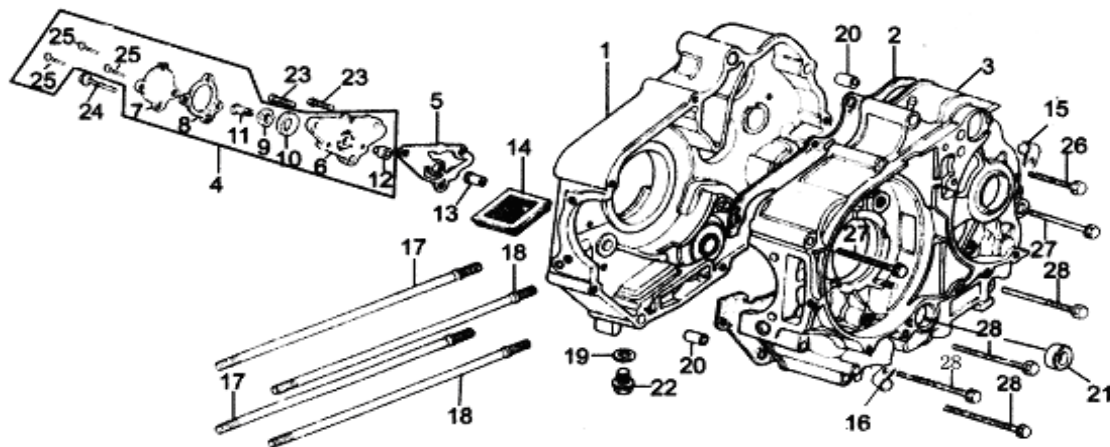
S/N	Part No.	Description	Quantity	Remark
1	11411 /1P50FMG	Cover, crankcase, LH	1	
2	31100 /1P50FMG	Magneto Assy	1	
3	31110/1P50FMG	Rotor comp., magneto	1	
4	31210/1P50FMG	Stator comp., magento	1	
5	31280/1P50FMG	Coil, induction	1	
6	31240/1P50FMG	Coil, illuminating	1	
7	35721/1P50FMG	Plate, gear indicator pressure	1	
8	31311/1P50FMG	Locknut, magneto	1	
9	13190/1P50FMG	Oil seal, crankshaft, LH	1	
10	31915/1P50FMG	O-ring I, magneto	1	
11	31312/1P50FMG	Washer, magneto locknut	1	
12	31916/1P50FMG	O-ring II, magneto	2	
13	GB/T 818	Bolt M6×12	1	
14	GB/T 70.1	Bolt M6×14	2	

E-8 Left Crankcase Cover & Magneto



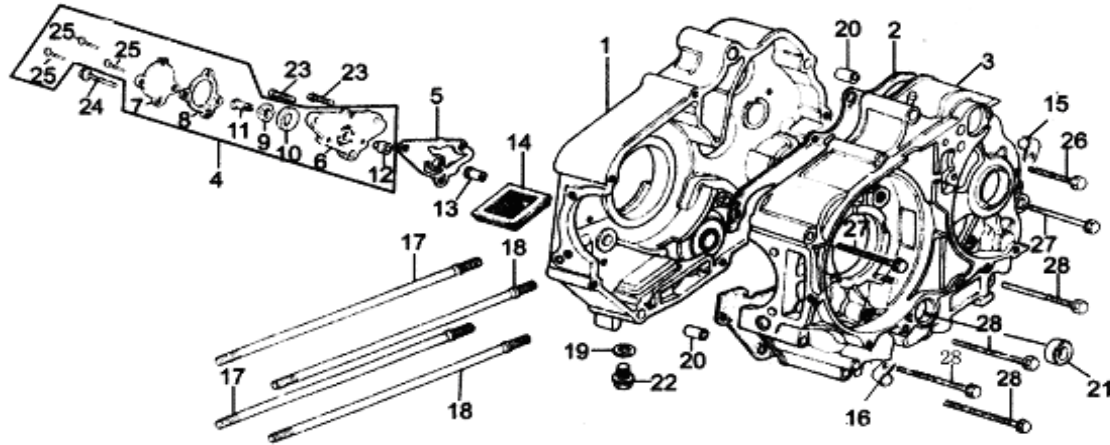
S/N	Part No.	Description	Quantity	Remark
15	GB/T 16674.1	Bolt M6×28	1	
16	GB/T 16674.1	Bolt M6×35	2	
17	31260/1P50FMG	Charge Coil	1	

E-9 Crankcase & Oil Pump



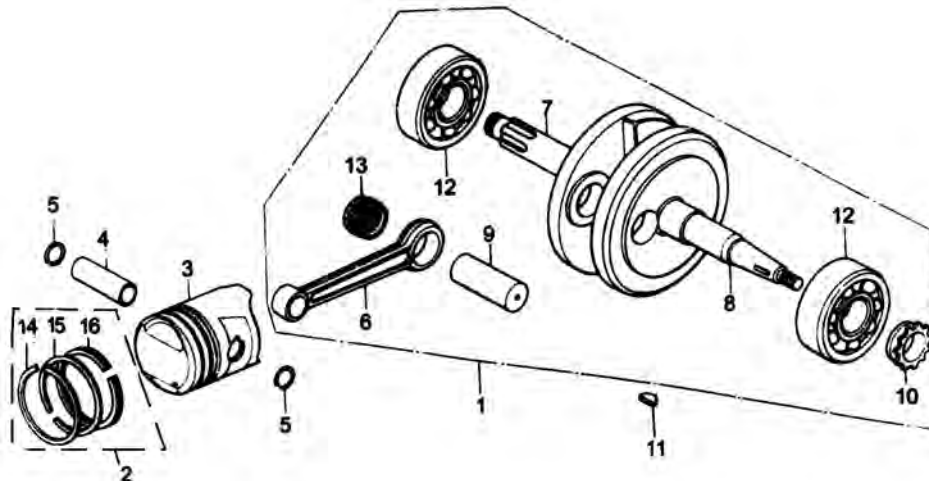
S/N	Part No.	Description	Quantity	Remark
1	11110/1P50FMG	Crankcase comp., RH	1	
2	11119/1P50FMG	Gasket,Crankcase	1	
3	11210/1P50FMG	Crankcase comp., LH	1	
4	15100/1P50FMG	Pump Assy, oil	1	
5	15131/1P50FMG	Gasket, oil pump	1	
6	15111/1P50FMG	Housing, oil pump	1	
7	15112/1P50FMG	Cover, oil pump	1	
8	15113/1P50FMG	Gasket, oil pump cover	1	
9	15114/1P50FMG	Rotor, oil pump inner	1	
10	15115/1P50FMG	Rotor, oil pump outer	1	
11	15116/1P50FMG	Shaft, oil pump	1	
12	15117/1P50FMG	Bush, oil pump shaft	1	
13	15221/1P50FMG	Bush, oil pump sprocket	1	
14	15450/1P50FMG	Gauze set	1	
15	20154/1P50FMG	Clip II, crankcase exhaust pipe	1	

E-10 Crankcase & Oil Pump



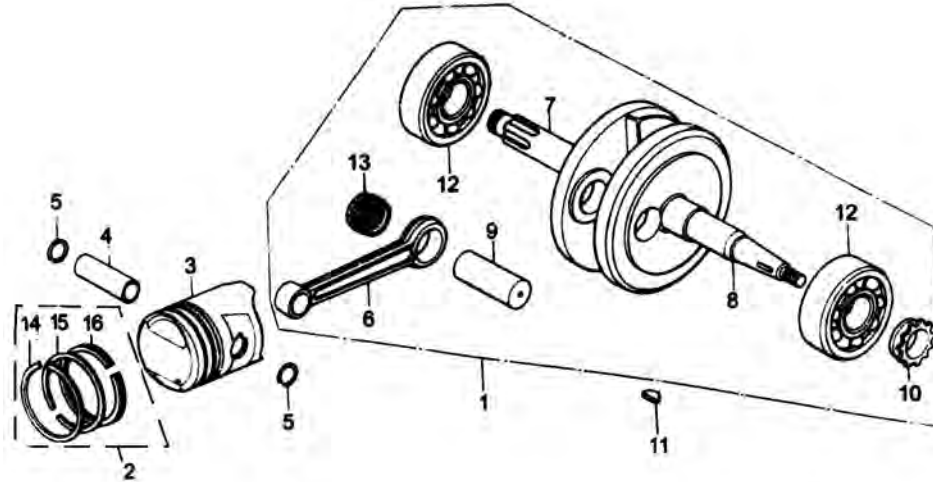
S/N	Part No.	Description	Quantity	Remark
16	11217/1P50FMG	Clamp, engine wire	1	
17	12342/1P50FMG	Bolt A, cylinder	2	
18	12343/1P50FMG	Bolt B, cylinder	2	
19	11213/1P50FMG	Bolt B, cylinder	1	
20	11118/1P50FMG	Washer, plug drain	2	
21	24190/1P50FMG	Dowel pin, crankcase	1	
22	11212/1P50FMG	Oil seal, gearshift shaft	1	
23	GB/T 818	Plug, crankcase drain	2	
24	GB/T 818	Crown Bolt M6×16	1	
25	GB/T 818	Crown Bolt M6×22	3	
26	GB/T 16674.1	Crown Bolt M6×10	1	
27	GB/T 16674.1	Crown Bolt M6×50	2	
28	GB/T 16674.1	Crown Bolt M6×60	4	
		Crown Bolt M6×65		

E-10 Crankshaft & Piston



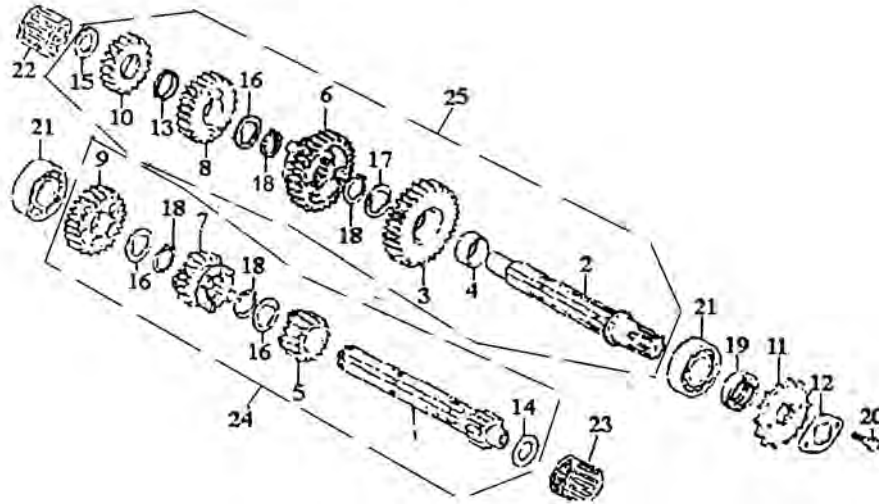
S/N	Part No.	Description	Quantity	Remark
1	13100/1P50FMG	Crankshaft & connecting rod	1	
2	13300	Ring set, piston	1	
3	13211	Piston	1	
4	13221	Pin, piston	1	
5	13222/1P50FMG	Circlip, piston pin	2	
6	13131/1P50FMG	Rod, connecting	1	
7	13121/1P50FMG	Crank, RH	1	
8	13111/1P50FMG	Crank, LH	1	
9	13141/1P50FMG	Pin, crank	1	
10	14311/1P50FMG	Sprocket, timing drive	1	
11	13118/1P50FMG	Key, crankshaft woodruff	1	
12	GB/T 276	Bearing 6304	2	
13	13150/1P50FMG	Bearing, connecting rod big end	1	
14	13311	Ring I, piston	1	
15	13312	Ring II, piston	1	

E-10 Crankshaft & Piston



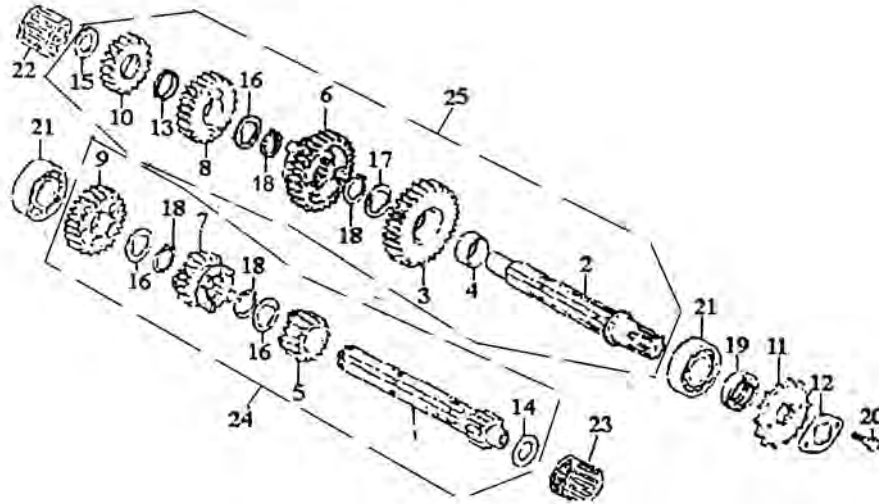
S/N	Part No.	Description	Quantity	Remark
16	13320	Oil Ring,3-piece	1	

E-11 Transmission



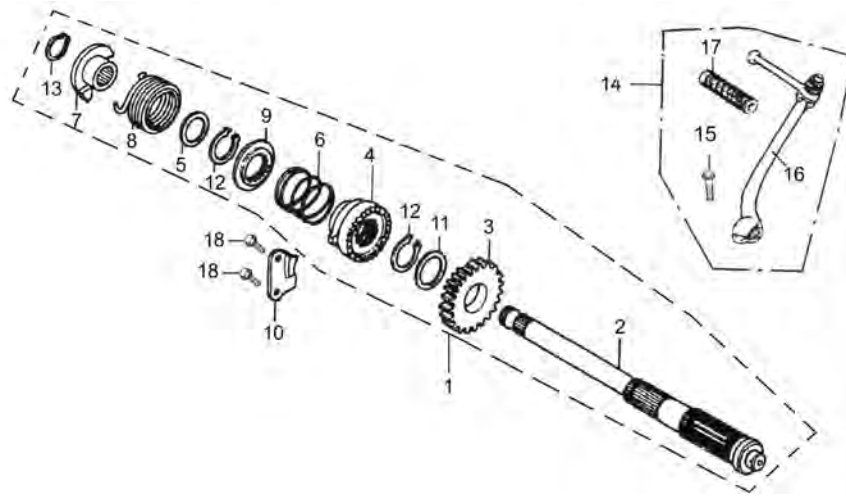
S/N	Part No.	Description	Quantity	Remark
1	23611/1P50FMG	Mainshaft	1	
2	23771/1P50FMG	Countershaft	1	
3	23711/1P50FMG	Gear, countershaft 1st	1	
4	23712/1P50FMG	Bush, countershaft 1st gear	1	
5	23621/1P50FMG	Gear, mainshaft 2nd	1	
6	23721/1P50FMG	Gear, countershaft 2nd	1	
7	23631/1P50FMG	Gear, mainshaft 3rd	1	
8	23731/1P50FMG	Gear, countershaft 3rd	1	
9	23641/1P50FMG	Gear, mainshaft 4th	1	
10	23741/1P50FMG	Gear, countershaft 4th	1	
11	22711/1P50FMG	Sprocket, output	1	
12	22712/1P50FMG	Plate, output sprocket fixing	1	
13	23773/1P50FMG	Washer, countershaft	1	
14	23674/1P50FMG	Washer, mainshaft	1	
15	23774/1P50FMG	Washer II, countershaft	1	

E-11 Transmission



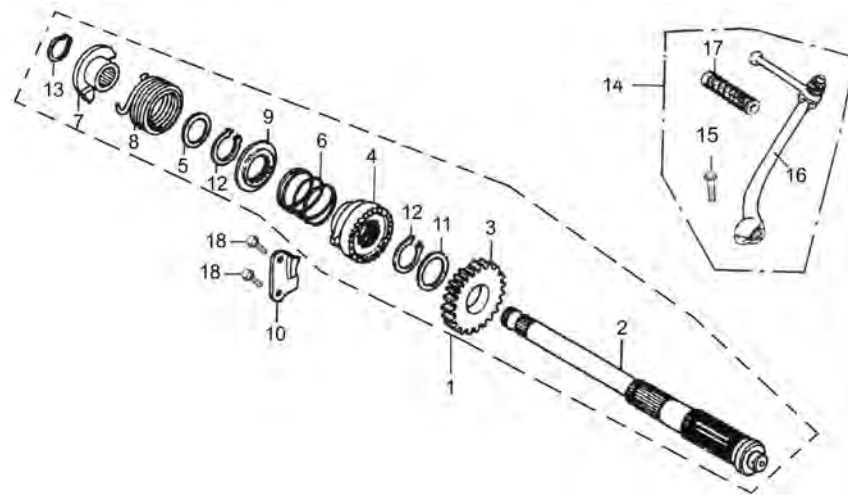
S/N	Part No.	Description	Quantity	Remark
16	23675/1P50FMG	Washer, mainshaft spline	3	
17	23775/1P50FMG	Washer, countershaft spline	1	
18	23672/1P50FMG	Circlip, mainshaft	4	
19	23790/1P50FMG	Oil seal, countershaft	1	
20	GB/T 5783	Bolt M6×8	2	
21	GB/T 276	Bearing 6203	2	
22	23780/1P50FMG	Bearing, cuntershaft, RH	1	
23	23680/1P50FMG	Bearing, mainshaft, LH	1	
24	23600/1P50FMG	Bearing, mainshaft, LH	1	
25	23700/1P50FMG	Countershaft comp.	1	

E-12 Start Device



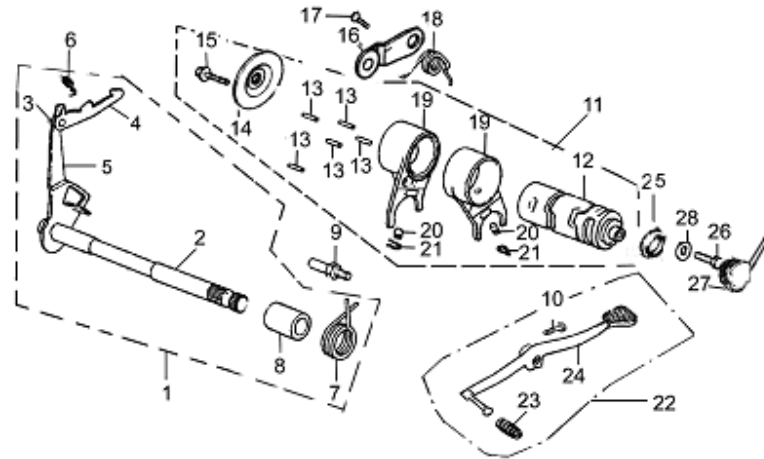
S/N	Part No.	Description	Quantity	Remark
1	27100/1P50FMG	Shaft Assy, starting	1	
2	27111/1P50FMG	Shaft, starting	1	
3	27151/1P50FMG	Gear, starting	1	
4	27113/1P50FMG	Ratchet	1	
5	27114/1P50FMG	Washer I, starting shaft	1	
6	27115/1P50FMG	Spring, starting shaft	1	
7	27117/1P50FMG	Seat, starting shaft spring	1	
8	27118/1P50FMG	Sparing, starting return	1	
9	27121/1P50FMG	Seat, ratchet spring	1	
10	27131/1P50FMG	Guide, ratchet	1	
11	27141/1P50FMG	Washer II, starting shaft	1	
12	27142/1P50FMG	Snap ring, starting shaft	2	
13	22634/1P50FMG	Retainer, primary driven gear	1	
14	27700/1P50FMG	Kick-starter Assy	1	
15	GB/T 5783	Bolt M6×20	1	

E-12 Start Device



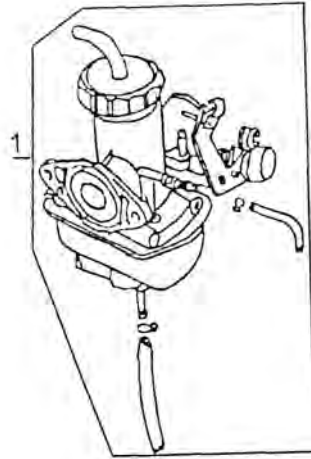
S/N	Part No.	Description	Quantity	Remark
16	27710/1P50FMG	Rod comp., starter	1	
17	27713/1P50FMG	Boot, starting foot bar	1	
18	GB/T 5783	Bolt M6×20	2	

E-13 Gearshift Drum



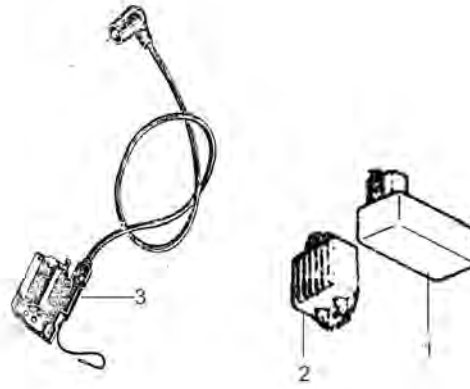
S/N	Part No.	Description	Quantity	Remark
16	24310/1P50FMG	Plate comp., gear setting	1	
17	24321/1P50FMG	Pin, gear setting plate	1	
18	24323/1P50FMG	Torsion spring, setting plate	1	
19	24411/1P50FMG	Fork	2	
20	24414/1P50FMG	Pin, striking	2	
21	24415/1P50FMG	Clip	2	
22	24700/1P50FMG	Rod Assy, gearshift	1	
23	24711/1P50FMG	Boot, gearshift rod	1	
24	24720/1P50FMG	Rod weldment, gearshift	1	
25	35760/1P50FMG	Point comp., gear indicator contact	1	
26	GB/T 70.1	Screw M6×12	1	
27	35730/1P50FMG	Wire comp., gear	1	
28	GB/T 859	Washer, gearshift cam	1	

E-14 Carburetor



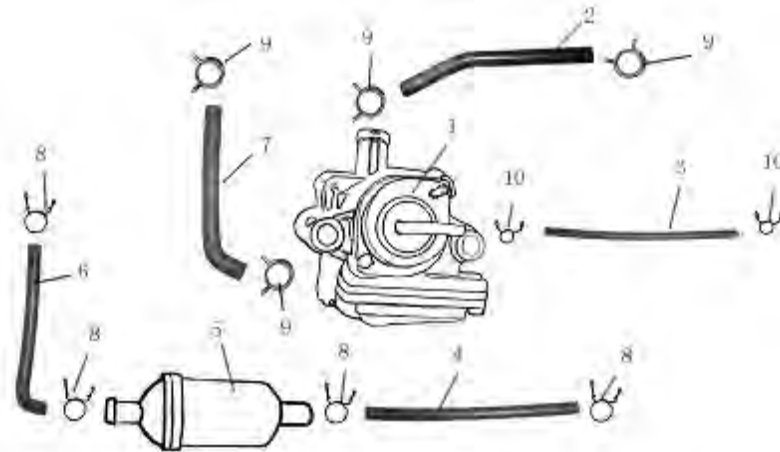
S/N	Part No.	Description	Quantity	Remark
1	16100/1P50FMG	Carburetor Assy.	1	

E-15 Electric Elements



S/N	Part No.	Description	Quantity	Remark
1	34400/1P50FMG	Controller, ignition	1	
2	31600/1P50FMG	Regulator, voltage	1	
3	34500/1P50FMG	Coil, ignition	1	

E-16 Second inlet system



S/N	Part No.	Description	Quantity	Remark
1	20540	Valve comp., secondary air aeration	1	
2	20542	Pipe, secondary air aeration valve outlet	1	
3	20594	Pipe, air injection valve vacuum	1	
4	20159	Pipe II, crankcase exhaust	1	
5	20210	Separator, fuel/vapor	1	
6	20152	Pipe I, crankcase exhaust	1	
7	20541	Pipe, secondary air aeration valve inlet	1	
8	20153	Clip I, crankcase exhaust pipe	4	
9	20545	Clamp, secondary air aeration valve	4	
10	20154	Clip II, crankcase exhaust pipe	2	

ENGINE

ENGINE

Lifan Industry(Group) Co., Ltd.

Lifan Industry(Group)Co.,Ltd.

Tel: (023)65209524

Fax: (023)65222634

Postal Code: 400037

[http:// www.lifan.com](http://www.lifan.com)

e-mail: mail@lifan.com

Chongqing Lifan Industry(Group)Imp.& Exp.Co.,Ltd

Tel: +86 23 65213161 65207228

Fax: +86 23 61663355 65213166

Add: Chongqing,China

Postal Code: 400037

[http:// www.lifan.com.cn](http://www.lifan.com.cn)

e-mail: iec00@Lifan.net