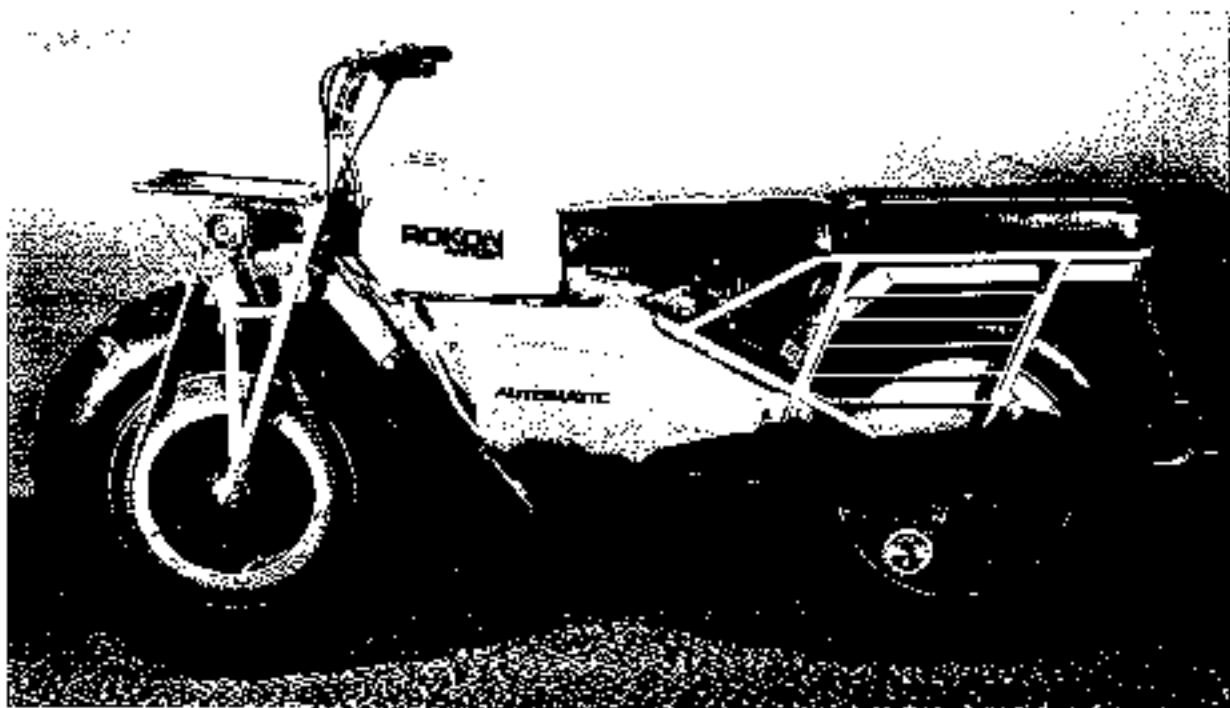


ILLUSTRATED PARTS MANUAL

FOR

ROKON

UTILITY VEHICLES



**AMERICAN
ENGINEERED AND MANUFACTURED**

Rokon International Inc
50 Railroad Avenue
Rochester, NH 03839

Tel: (603) 335-3200

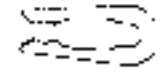
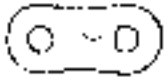
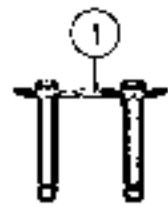
Fax: (603) 335-4400

JANUARY 1991

ILLUSTRATED PARTS MANUAL-----INDEX-----

1	Chains — All Models
2, 3	Pull Starter
4	Drive Line — Two Wheel Drive
5	Torque Converter Drive Pulley
6	Torque Converter Driven Pulley
7	Power Head
8, 9	Engine W/Alternator
10, 11	Carburetor
12	Front Miter Box — Mk V and VI
13	Front Miter Box — All Two Wheel Drive Models
14, 15	Frame Mk VII
16, 17	Front Cargo Rack
18, 19	Handle Bar Assembly
20, 21	3 Speed Transfer Case
22, 23	Wheel Components
24, 25	Front Forks — Mk VII
26	Brake System — Front and Rear 1987 and Later .. All Models
27	Engine Power Train

CHAINS — ALL MODELS

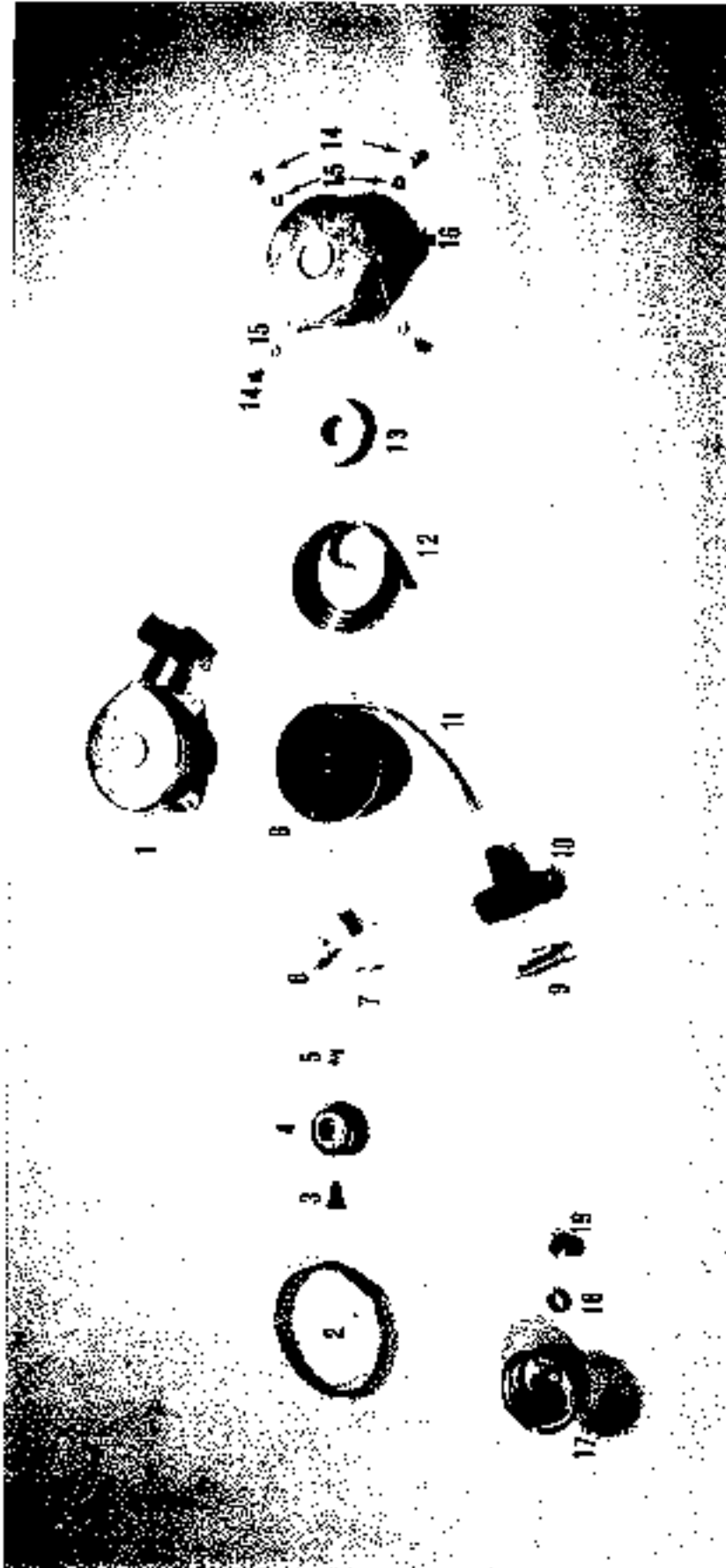


ITEM	PART NO.	NAME	DESCRIPTION	QTY.
1	100356	Connecting Link		1
2	see below	Chain		1
3	100355	Off-set Link		1
4	100354	Full Link		1

VEHICLE CHAIN PART NUMBERS

<u>MODEL</u>	<u>FRONT</u>	<u>REAR</u>
Trailbreaker	101566	101570
Ranger	101566	101570
Scout	100319	100316

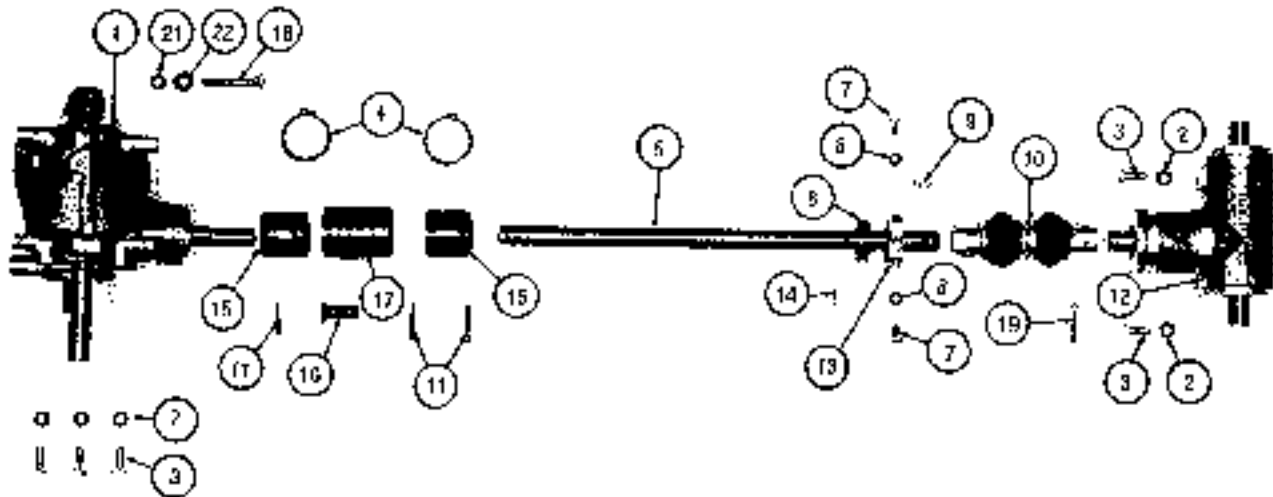
PULL STARTER COMPONENTS



PULL STARTER

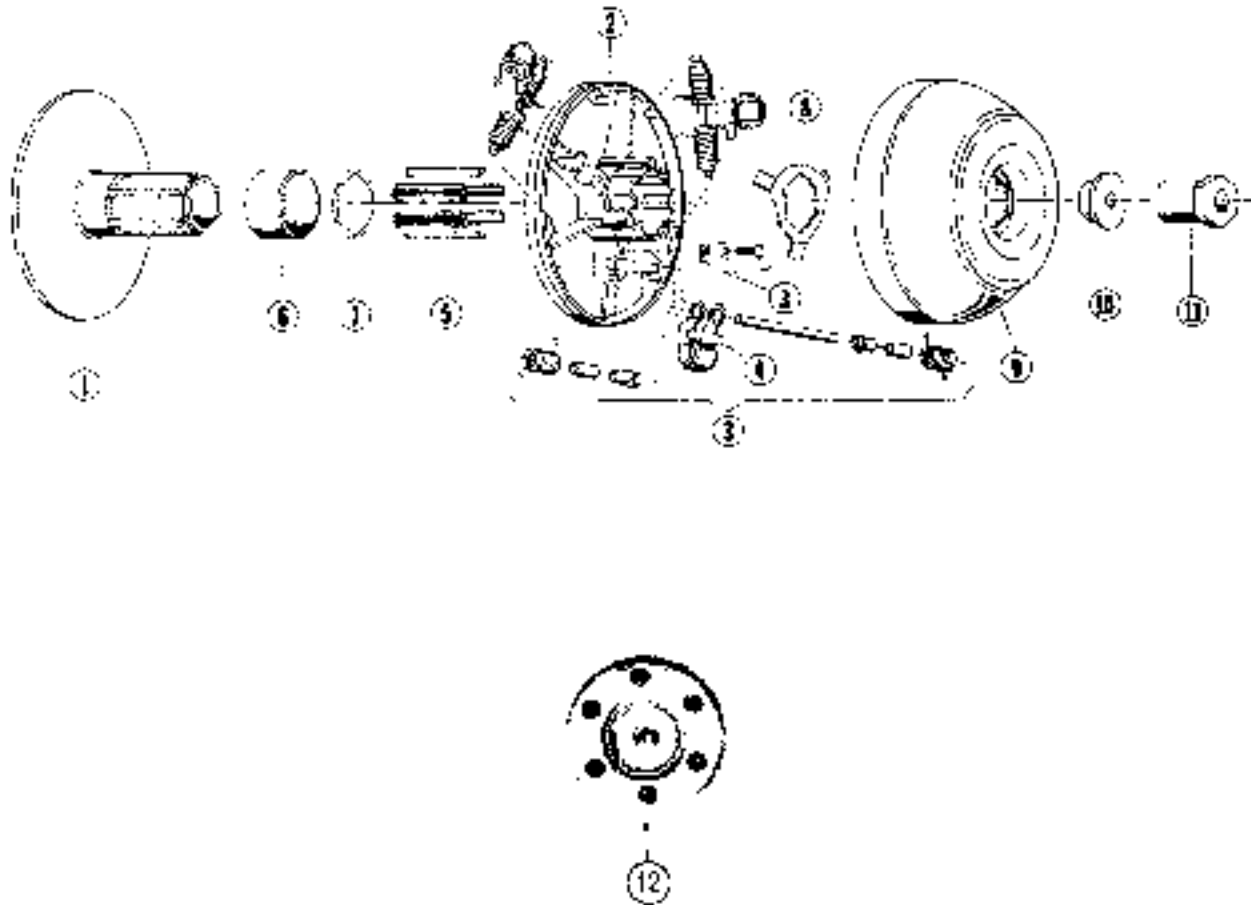
ITEM	PART NO.	NAME	DESCRIPTION	QTY.
1	100049-A	Pull Starter Complete		1
2	15603	Screen		1
3	250751-1	Screw		1
4	15604	Dog Retainer		1
5	250003	Brake Spring		1
6	250421	Dog		3
7	15605	Dog Springs		3
8	15606	Pulley with Bearing		1
9 & 10	A250132	T-Handle and Insert		1
11	15585	Cord		1
12 & 13	15584	Spring and Keeper		1
14 & 15	1855	Screw and Lockwasher	$\frac{1}{8}$ -20 x $\frac{1}{2}$	4
16	15583-1	Cover		1
17	256458	Cup		1
18	8067	Lock Washer		1
19	1352	Fly Wheel Nut	$\frac{7}{16}$ -20 R.H.	1

DRIVE LINE — TWO-WHEEL DRIVE RANGER & SCOUT



ITEM	PART NO.	NAME	DESCRIPTION	QTY
1	101680	Transfer Case Assy.	3 range	1
2	100039	Lock Washer	$\frac{3}{16}$ K.D. Brite	5
3	100038	Screw	$\frac{3}{16}$ -18 x $\frac{3}{16}$	4
4	100307	Snap Ring		2
5	101682	Drive Line Shaft		1
6	100314	Drive Line Bearing		1
7	100252	Screw	$\frac{1}{4}$ -20 x $\frac{1}{2}$	2
8	100281	Lock Washer	$\frac{1}{4}$ K D Brite	2
9	100043	Drive Line Key	#9 Woodruff	1
10	100400	Universal Joint		1
11	100046	Roll Pin	$\frac{3}{16}$ x $1\frac{1}{2}$	2
12	100100	Miter Box	Front. All Models	1
13	100312	Bearing Retainer	Drive Line Support	1
14	100047	Roll Pin	$\frac{3}{16}$ x 1	1
15	101655	Boss		2
16	101656	Retaining Pin		1
17	100002	Override Spring		1
18	101529	Screw		1
19	100045	Roll Pin	$\frac{3}{16}$ x $1\frac{1}{4}$	2
20	101640	Drive Line Assy.	Incl 4,5,9,11,13,15,16,17,19 N.S.	1
21	100039	Washer	$\frac{5}{16}$ Lock	1
22	100254	Washer	$\frac{1}{4}$ " Flat	1

TORQUE CONVERTER DRIVE PULLEY



TORQUE CONVERTER DRIVE PULLEY

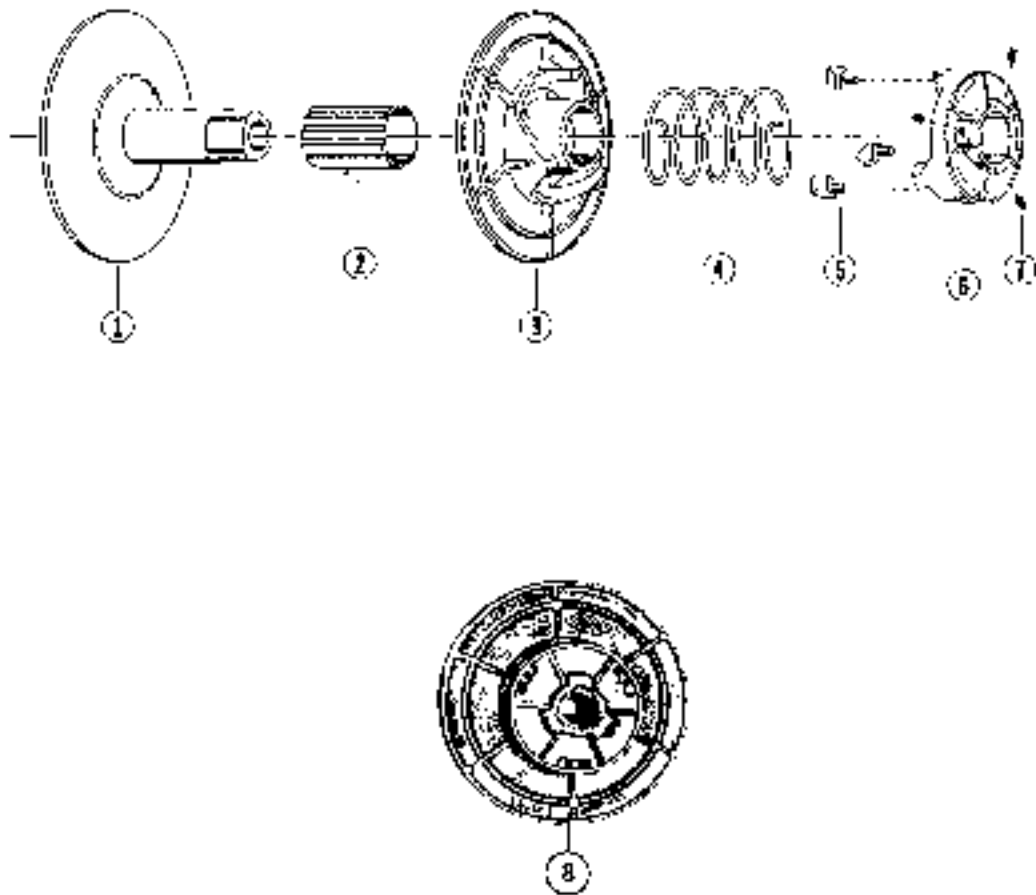
ITEM	PART NO.	NAME	DESCRIPTION	QTY.
1	703209	Fixed Face & Hub Assy.		1
2	601319	Movable Face Assy.	Inc. Items 3 & 4	1
3	690144	Kit	Springs, Pins & Bushings	1
4	690140	Kit	Roller Arm Assy.	1
5	703128	Liner	Spline	6
6	703118	Bearing	Idler	1
7	703127	Washer	Idler Bearing	1
8	703129	Retractor		1
9	703151	Plate	Ramp	1
10	703211	Washer	Ramp Plate Retain ng	1
11	100493	Nut	Engine Shaft	1
12	100883	Drive Pulley	Front Inc. 1-10	1
13	108061	Lock Plate	N.S.	1

* Not Supplied as a single part

X --- Assembly

N.S. — Not Shown

TORQUE CONVERTER DRIVEN PULLEY



TORQUE CONVERTER DRIVEN PULLEY

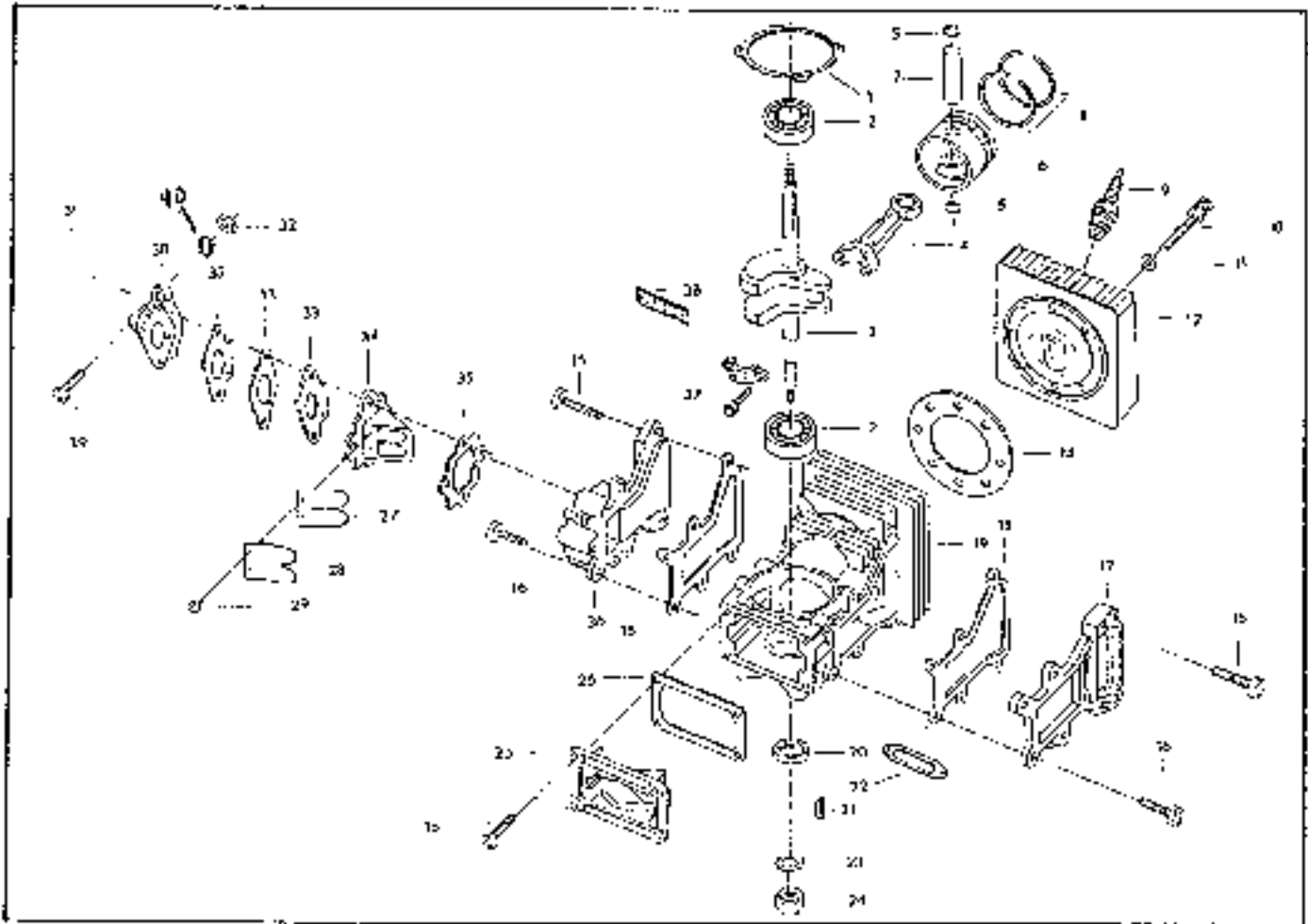
ITEM	PART NO.	NAME	DESCRIPTION	QTY.
1	601911	Hub — fixed face		1
2	703110	Bearing		1
3	703109	Movable Face		1
4	703111	Spring		1
5	703305	Button Shoe Ramp		3
6	601406	Torque Bracket	Incl. Items 5 & 7	1
7	901709	Set Screw		3
8	100884	Driven Pulley	Rear Incl. 1-7	1

* Not Supplied as a single part

X — Assembly

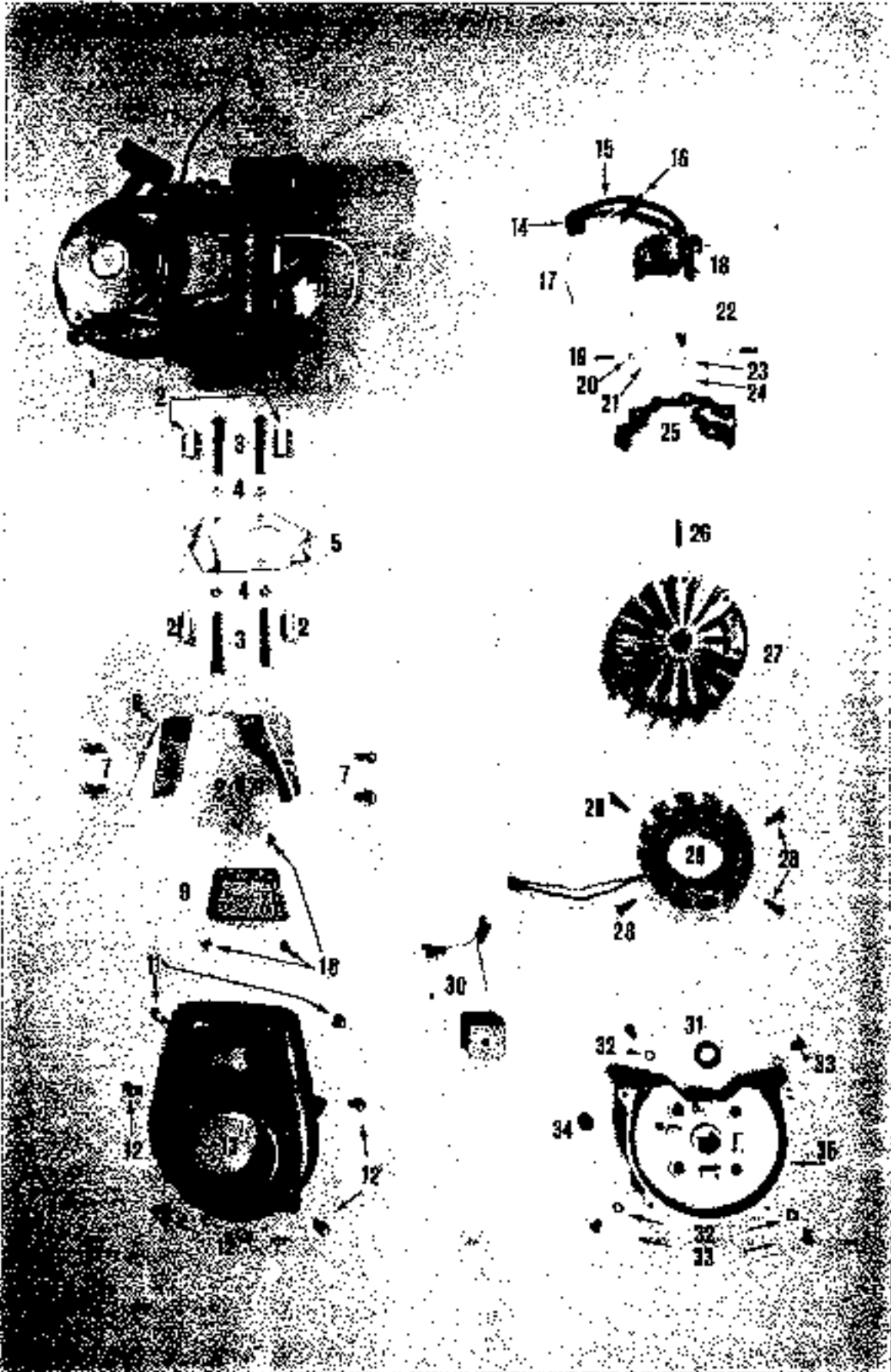
N.S. — Not Shown

POWER HEAD



ILLUS. NO.	PART NO.	QTY.	DESCRIPTION	ILLUS. NO.	PART NO.	QTY.	DESCRIPTION
1*	175277	1	Bearing cage gasket	25	175150	1	Crankcase cover
2	127910-2	2	Ball bearing	26*	175140	1	Cover gasket
3	236010	1	Crankshaft	27	31160-1	2	Reed
4	A174016	1	Connecting rod w/illus. 37	28	31161	2	Reed stop
5	31410	2	Rearing ring	29	1755	4	Round hd screw w/lockwasher, 6-32 x 1/4
6	175215	1	Pinion	30	30167	1	Carburetor elbow
7	175217	1	Piston pin	31	1530	2	Hex slot hd screw w/lockwasher, 1/4-20 x 1 1/4
8	A17526C-1	1	Piston ring set (2 per set)	32	1490	2	Hex nut
9	100369	1	Spark plug—(Champion RC-7-J)	33*	174500	2	Elbow gasket
10	1465	4	Socket hd cap screw, 1/4-20 x 1 1/4	34	A31159-1	1	Head plate (includes items 27, 28 and 29)
11	0020	6	Plain washer	35*	31169	1	Manifold gasket
12	175516-2	1	Cylinder head	36	236157	1	Manifold
13	236836	1	Spacer, carburetor elbow	37	36624	2	Connecting rod cap screw
14*	175529-062	1	Head gasket	38	A175220	1	Crankpin roller set (28 rollers)
	175529-032	1	Head gasket	39	1833	2	Hex hd screw 1/4-20 x 1
15	1497	4	Pin hd screw w/lockwasher, 1/4-20 x 3/4	40	6360	2	Lockwasher (under carb. 10/19)
16	1439	12	Pin hd screw w/lockwasher, 1/4-20 x 3/4				
17	560222	1	Cover, transfer port		6810-1	1	Gasket set (not shown) includes illus. marked with an (*) asterisk
18*	175223	2	Gasket		236930	4	Bolt, cyl. head (furnished by customer) not shown
19	2A650010	1	Cylinder (includes item 20)		200117	1	R-socket, cyl. head (furnished by customer) not shown
20	31146	1	Seal, drive end		236730	4	Spacer, cyl. head bolt (furnished by customer) not shown
21	9044	1	Woodruff key				
22*	175279	1	Exhaust gasket				
23	0007	1	Lockwasher, Helical sqg.				
24	1252	1	Hex nut, 1/4-20				

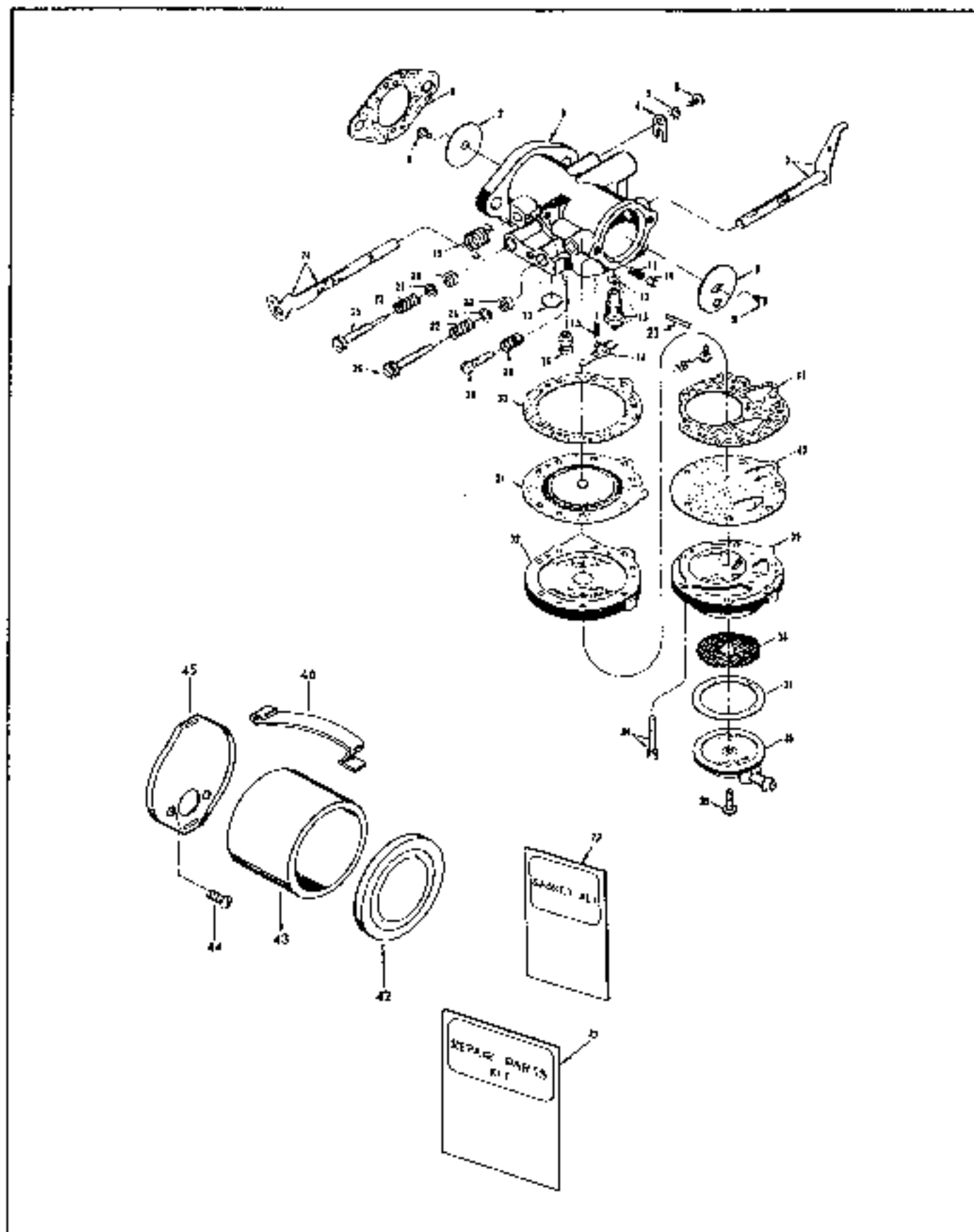
ENGINE MODEL #82031



ENGINE WITH ALTERNATOR — MODEL #82031

ITEM	PART NO.	NAME	DESCRIPTION	Qty.
1	101602	Engine Assy. with Alternator & Regulatur		1
2	100230	Spacer		4
3	100232	Screw	1/4-20 x 2 1/2 socket head	4
4	8026	Washer	Plain	4
5	100231	Bracket	Cylinder Head	1
6	560648	Cover	Cylinder Head	
7	1497	Screw	1/4-20 x 3/8 Pan head w/lockwasher	4
8	560902	Spacer		2
9	559408	Cover	Coil	1
10	1728	Screw	10 x 3/8	3
11	1096	Screw	1/4-20 x 1/2	2
12	1282	Screw	1/4-20 x 3/8	4
13	560596	Fan Housing		1
14	K750-2	Sparkie with Spring		1
15	238841	Wire	Coil, with Items 14 & 15	1
16	175890	Grommet		1
17	560684	Primary Wire		1
18	560475	Coil		1
19,20	1303	Screw and Washer	8-32 x 1/2	2
21	2775595	Spacer		2
22	1573	Screw	Slotted fill-head 1/4-20 x 1/2	1
23	8061	Lockwasher		1
24	8025	Washer	Plain	1
25	236501	Bracket	Coil	1
26	128498	Key	Fly Wheel	1
27	236097	Fly Wheel		1
28	1523	Screw	10-32 x 3/8	4
29	560095	Stator		1
30	560470	Regulator	Voltage	1
31	2770146-1	Seal	Magneto End	1
32	1609	Lockwasher	1/2"	4
33	1156	Bolt	1/4-20	4
34	84991-1	Grommet	Rubber	1
35	A560038-1	Support Plate	Includes Items 21 & 31	1

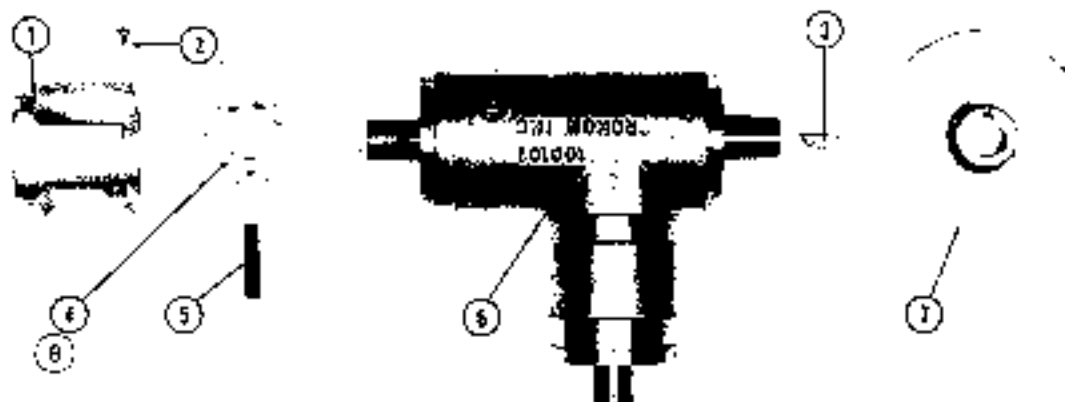
CARBURETOR



CARBURETOR

ITEM	PART NO.	NAME	DESCRIPTION	QTY.
1	175906	Carburetor gasket	(Part of G819-1 gasket set)	1
2	012089	Throttle shutter		1
3	236061	Carburetor	Complete (HL173A)	1
4	09678	Throttle shaft clip		1
5	0992	Clip lockwasher		1
6	01974	Clip retaining screw		1
7	012093	Choke shaft and lever		1
8	09626	Choke shutter		1
9*	08942	Shutter screw		2
10	05454	Choke friction pin		1
11	08805	Choke friction spring		1
12	010165	Inlet seat gasket		1
13*	018028	Inlet needle seat and gasket		1
14*	014020	Inlet control lever		1
15*	011503	Inlet tension spring		1
16	012084	Nozzle check valve		1
17*	02531	Welch plug		1
18	013269	Fulcrum pin screw		1
19	010775	Throttle shaft return spring		1
20**	011401	Adjustment screw packing		2
21**	011428	Adjustment screw washer		2
22*	08793	Adjustment screw spring		2
23	013406	Fulcrum pin		1
24	012091	Throttle shaft and lever		1
25	011498	Idle adjustment screw		1
26	012420	Main adjustment screw		1
27*	K10009	Gasket set with illus. marked with double (**) asterisk		1
28*	05095	Idle speed regulating screw		1
29*	0788	Idle speed regulating screw spring		1
30**	012473	Diaphragm gasket		1
31*	012475	Diaphragm		1
32	018032	Diaphragm cover		1
33	K10117	Repair parts kit with illus. marked with an (*) asterisk		1
34	018031	Body screw and lockwasher		8
35*	010571	Strainer cover screw		1
36	010527	Strainer cover		1
37**	010529	Strainer cover gasket		1
38*	010530	Strainer screen		1
39	018033	Fuel pump body		1
40	012698	Fuel pump diaphragm		1
41**	012930	Fuel pump gasket		1
42	30652	Cover	Air cleaner	1
43	A249653	Element	Air cleaner	1
44	236732-2	Screw	Air Cleaner	2
45	236650	Base	Air cleaner	1
46	30491	Clip	Air Cleaner	2

FRONT MITER BOX — Mk. VII



FRONT MITER BOX — Mk. V & Mk. VI

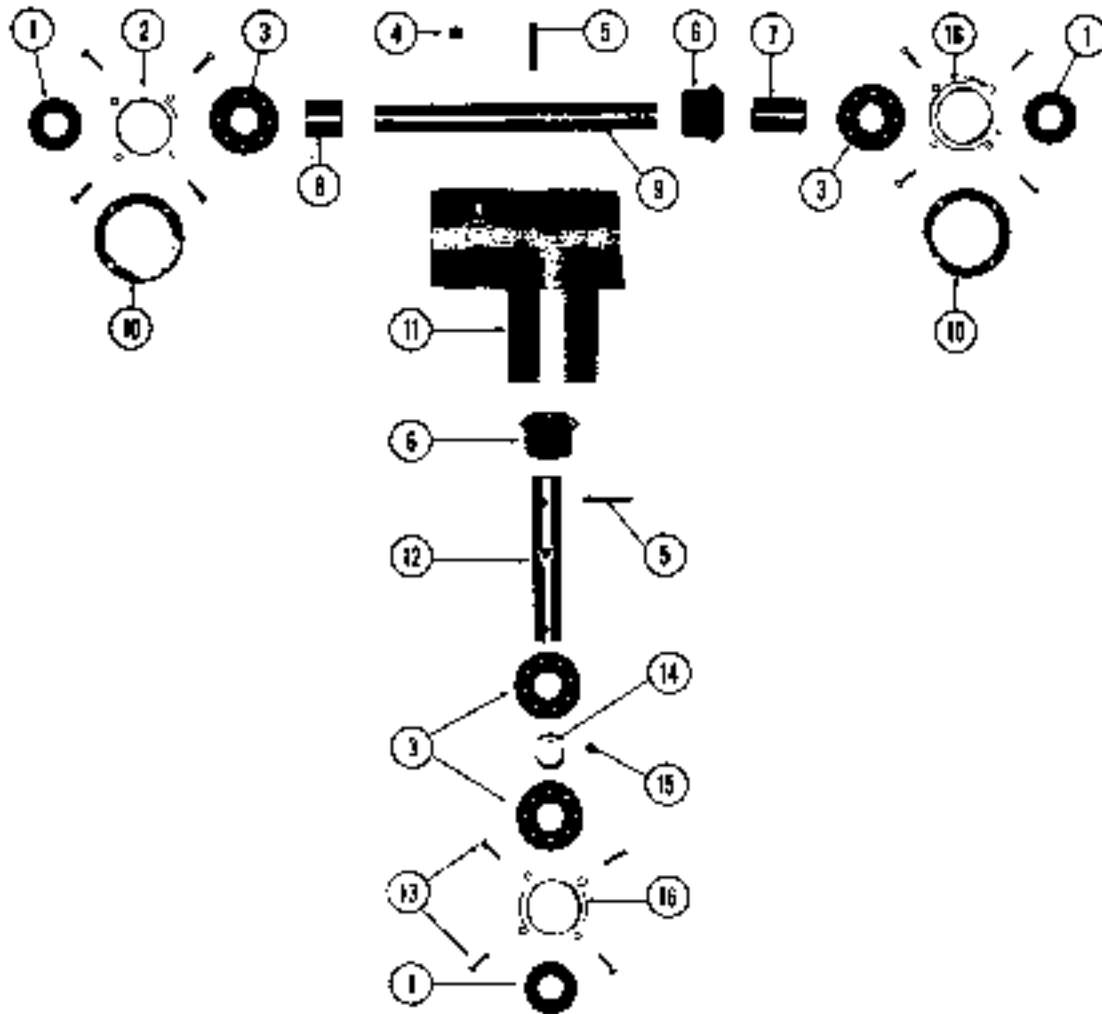
ITEM	PART NO.	NAME	DESCRIPTION	QTY.
1	100754	Chain Guard	Front	1
2	100459	Screw	6-32 x 1/4 self tap	3
3	100043	Key	#9 Woodruff	1
4	100612	Spruckel	9 Tooth #40	1
5	100270	Roll Pin	1/4 x 1 3/8	1
6	100302	Miter Box	Front — Mk. III & Mk. IV	1
7	100610	Brake Disc		1
8	100040	Sprcket	11 Tooth #40	1

* Not Supplied as a single part

X — Assembly

N.S. — Not Shown

FRONT MITER BOX — ALL TWO-WHEEL DRIVE MODELS



FRONT MITER BOX — ALL TWO-WHEEL DRIVE MODELS

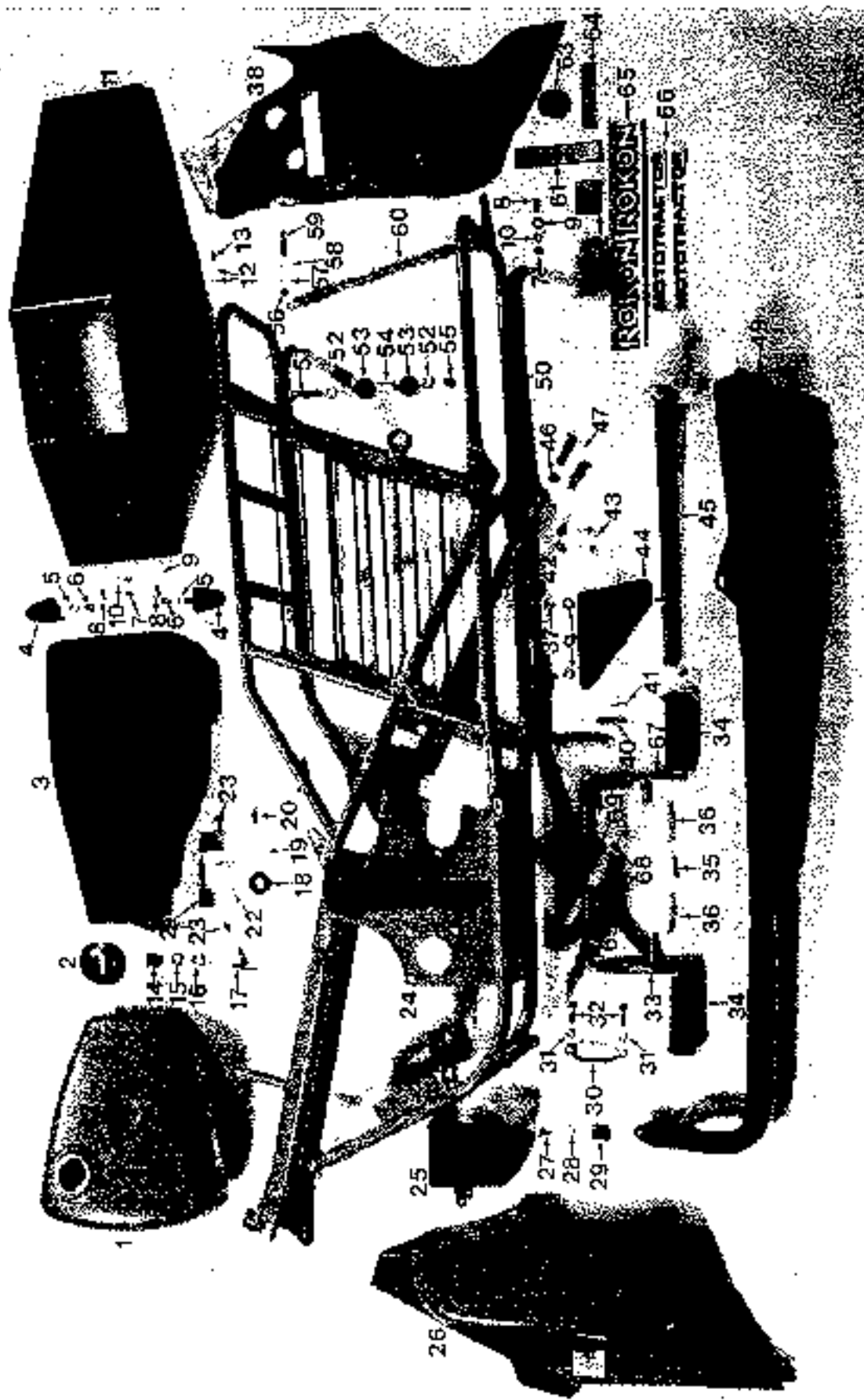
ITEM	PART NO	NAME	DESCRIPTION	QTY.
1	100161	Oil Seal		3
2	100111	End Cap (left front)		1
3	100158	Bearing		4
4	100163	Plug		1
5	100045	Roll Pin	Pipe $\frac{3}{16} \times \frac{1}{4}$	2
6	100160	Miter Gear		2
7	100107	Spacer, Long		2
8	103134	Snap Ring		2
9	103132	Sprocket Shaft		1
10	N.S.	Shim	{ (100792 Blue) (100793 Clear) .005 .0075 (100794 Brown) (100795 Red) .010 .002	2
11	100099	Housing		1
12	103133	Shaft, drive		1
13	100162	Screw	6-32 x $\frac{1}{16}$	12
14	100108	Spacer, Line		1
15	100042	Set Screw	$\frac{1}{4}$ -28 x $\frac{1}{4}$	1
16	100112	End cap (right front & rear)		2

* Not Supplied as a single part

X — Assembly

N.S. — Not Shown

FRAME COMPONENTS — MK VII



FRAME — MK VII

ITEM	PART NO.	NAME	DESCRIPTION	QTY.
1	105068	Fuel Tank	Nylon	1
2	102842	Gas Cap		1
3	100451	Seat		1
4	100548	Seat Base Rubber		2
5	100288	Lock Washer	$\frac{3}{8}$ "	2
6	100212	Nut	$\frac{3}{8}$ -24	2
7	100169	Nut	$\frac{1}{8}$ -28	3
8	100168	Screw	$\frac{1}{8}$ -28 x $\frac{3}{4}$	3
9	100254	Washer	$\frac{1}{8}$ " Flat	5
10	100281	Lockwasher	$\frac{1}{8}$ " Spring	3
11	100001	Fender, Rear	MK VII — color optional	1
12	100037	Nut	10-32 KEPS	6
13	100034	Screw	10-32 x $\frac{1}{2}$ Pan	6
14	102590	Fuel Tap Fitting		1
15	102594	O-Ring		1
16	102593	Nut	$\frac{1}{8}$ 18 Jam	1
17	101295	Fuel Shut-Off Valve		1
18	101969	Washer (Rubber)	Fuel Tank	1
19	102589	Washer	Fuel Tank	1
20	101970	Bolt	Fuel Tank Mounting	1
21	100428	Seat Mounting Bracket		1
22	100277	Screw	$\frac{1}{2}$ -20 x 1	2
23	100572	Bolt, Seat	$\frac{3}{8}$ -24 x $\frac{5}{8}$ Hex	2
24	105066	Frame	MK VII	1
25	101574	Heat Shield		1
26	105086	Fairing, LH	Color optional	1
27	101829	Fairing Stud		4
28	101828	Fairing Stud Ret.		4
29	101830	Fairing Receptacle Clip		4
30	175279	Gasket	Exhaust	1
31	100039	Lockwasher	$\frac{3}{16}$ "	2
32	100037	Screw	$\frac{5}{16}$ -18 x $\frac{3}{8}$ "	2
33	101583	Foot Rest Assembly	L.H.	1
34	100196	Peg Cover, Rubber	Foot Rest	2
35	102766	Fuel Filter	74 Micron	1
36	100123	Fuel Line	2 $\frac{1}{2}$ "	2
37	100167	Screw	$\frac{1}{8}$ -28 x $\frac{1}{2}$ "	2
38	105007	Fairing, RH	Color optional	1
39	100223	Spring	Parking Stand	1
40	100285	Clavis Pin	$\frac{3}{16}$ x 1 $\frac{3}{8}$	1
41	100290	Cotter Pin	$\frac{1}{16}$ x $\frac{3}{4}$	1
42	100551	Nut	$\frac{3}{16}$ -24 Lock	2
43	100848	Screw	$\frac{3}{16}$ -24 x $\frac{3}{4}$	2
44	101572	Chain Guard	Rear (rubber)	1
45	100386	Parking Stand		1

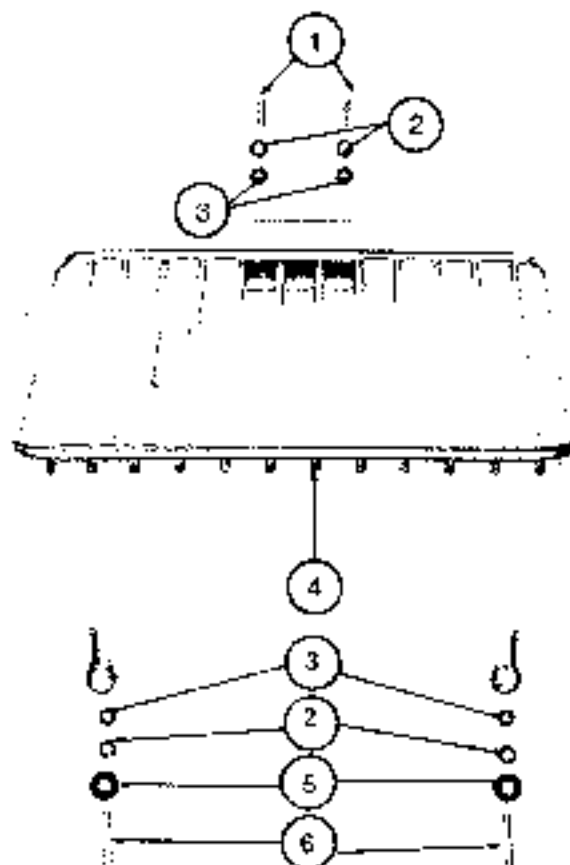
FRAME — MK VII (cont'd)

ITEM	PART NO	NAME	DESCRIPTION	QTY.
46	100036	Nut	3/8-24 Jam	2
47	100573	Screw	3/8-24 x 1 3/4	2
48	102828	Grease Fitting	45°	1
49	103082	Exhaust System		1
50	100349	Tow Bar		1
51	101181	Screw	3/8-24 x 1 3/4"	1
52	100208	Washer	3/8" Flat	3
53	101719	Rubber Bushing	Muffler Mount	2
54	101724	Sleeve	Muffler Mount	1
55	100212	Nut	3/8-24	1
56	100189	Nut	1/4-28	1
57	100281	Lockwasher	1/4" Spring	1
58	100254	Washer	1/4" Flat	1
59	100170	Screw	1/4-28 x 1 1/2"	1
60	100007	Chain	Tow Bar	1
61	101626	Decal	Shift Instructions	1
62	100503	Decal	Fuel	1
63	103152	Filler Plug		1
64	102849	Decal	Manufactured by ROKON	1
65	105067	Decal	Fuel Tank Logo	2
66	103138	Decal	Mototractor	2
67	101581	Foot Rest Assembly	R.H.	1
68	100273	Retaining Screw	Foot Rest	2
69	100275	Washer	#10 Int. Tooth Lock	2

Part Numbers for Decals

100331	ROKON
100003	FIRE RANGER
101595	SCOUT
108040	TRAILBREAKER
101585	RANGER
108055	AQUA-TRAC
108057	MADE IN U.S.A.
108058	AQUA-TRAC

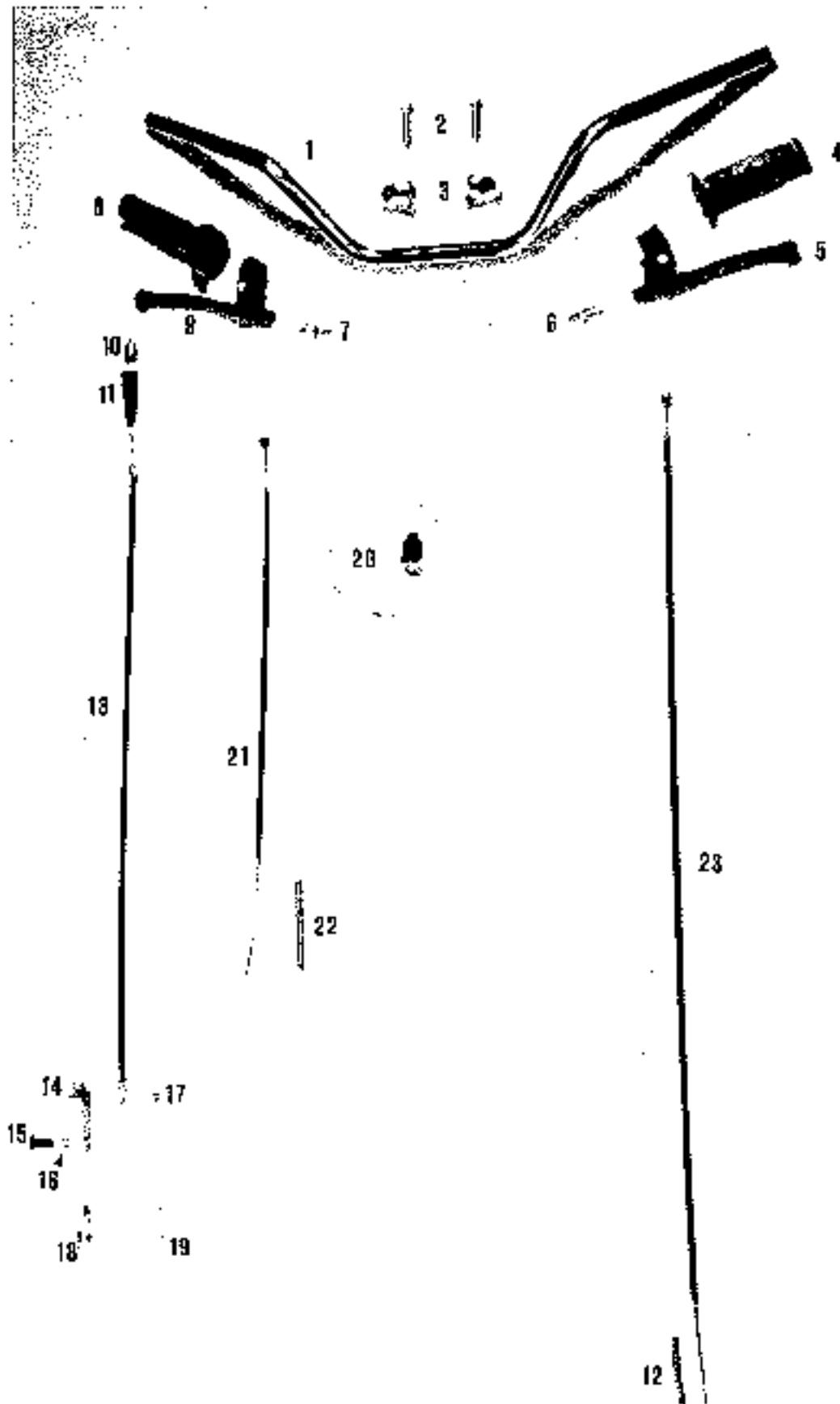
FRONT CARGO RACK



FRONT CARGO RACK

ITEM	PART NO.	NAME	DESCRIPTION	QTY
1	100168	Screw	1/4-28 x 1/2	2
2	110281	Lockwasher	1/4" Spring	4
3	100169	Nut	1/4-28	4
4	100423	Front Cargo Rack		1
5	100254	Washer	1/4" Flat	2
6	100170	Screw	1/2-28 x 1 1/2"	2
7	100892	Front Cargo Rack Kit	Incl. Items 1-6 as shown	1

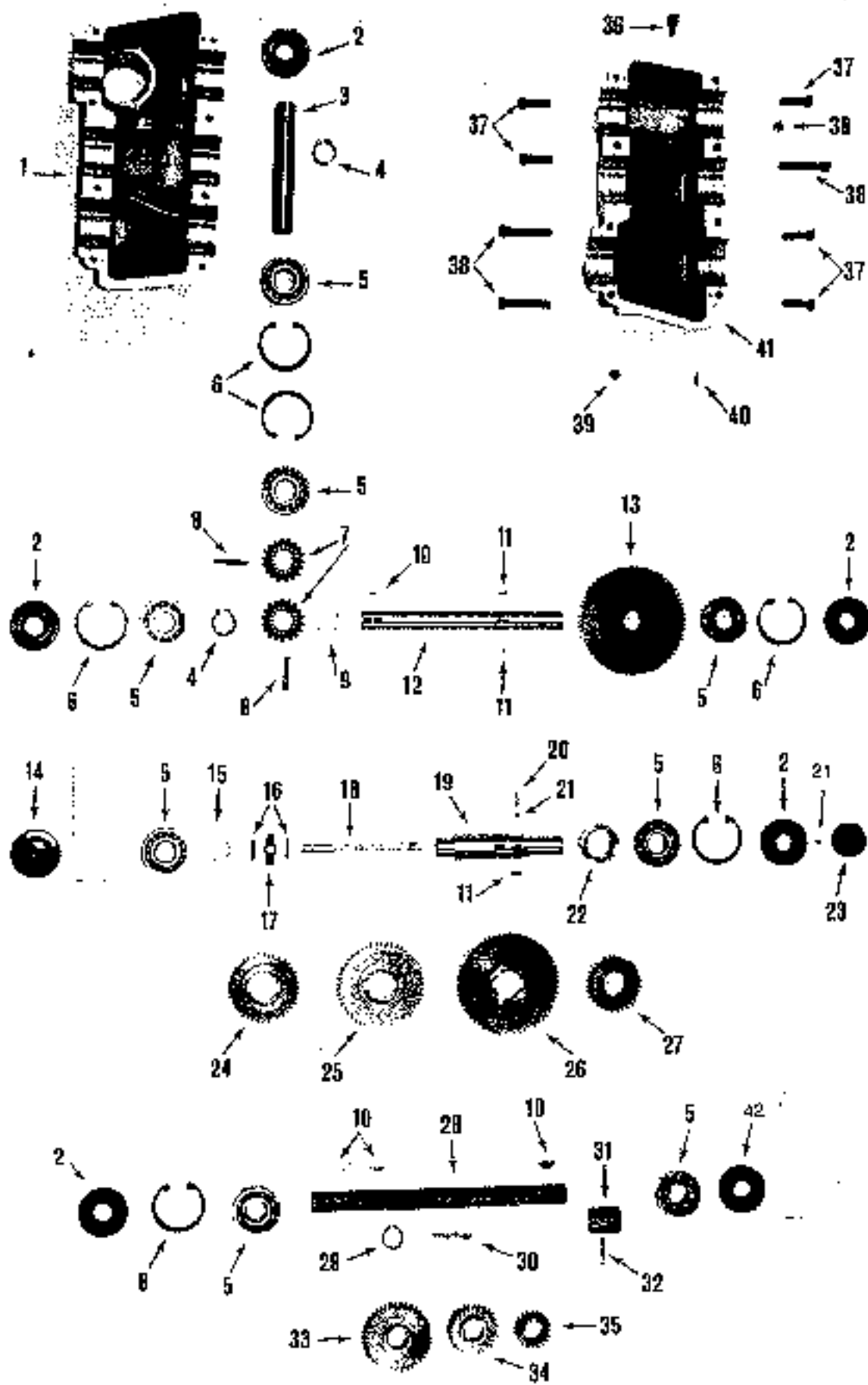
HANDLE BAR ASSEMBLY



HANDLE BAR ASSEMBLY

ITEM	PART NO.	NAME	DESCRIPTION	QTY.
1	100466	Handle Bar	29½"	1
2	101181	Screw	¾-24 x 1¾	2
3	101894	Clamp		2
4	103115	Dummy Grip		1
5	100821	Brake Lever L.H.		1
6 & 7	103110	Cable Adjuster		2
8	103113	Twist Grip		1
9	100820	Brake Lever R.H.		1
10	103126	Cable Clamp		1
11	107033	Cable Clamp Boot		1
12	100788	Spring	Front Brake	1
13	107034	Throttle Cable		1
14	100854	Cable Stop	Throttle Cable	1
15	100277	Screw	½-20-1	1
16	100281	Lockwasher	¼"	1
17	100169	Nut	½-28	1
18	103128	Linkage	Throttle Arm	1
19	100559	Spring	Throttle	1
20	100190	Kill Button		1
21	100035	Cable	Front Brake	1
22	100787	Spring	Rear	1
23	100034	Cable	Rear Brake	1

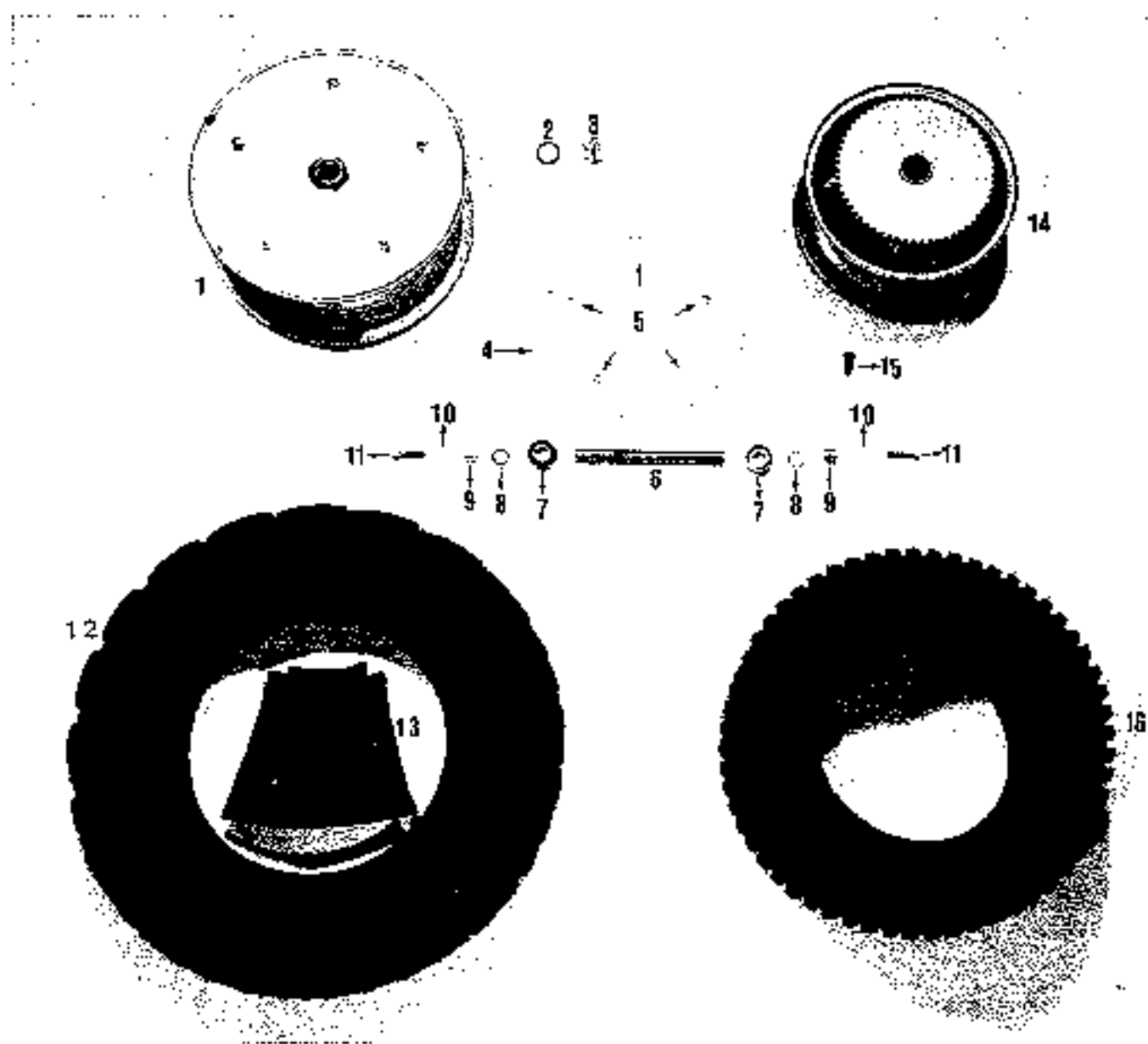
3 SPEED TRANSFER CASE



3 SPEED TRANSFER CASE

ITEM	PART NO.	NAME	DESCRIPTION	QTY.
1	101502	Gear Box Case	Front Half	1
2	101523	Seal	Shaft	6
3	103142	Shaft	Front Output	1
4	103134	Snap Ring	Front Output Shaft	2
5	100158	Bearing		8
6	103136	Snap Ring		8
7	100160	Bevel Gear		2
8	100045	Roll Pin	$\frac{3}{16}$ " x $1\frac{1}{4}$ "	2
9	101519	Spacer		1
10	100043	Key	#9 Woodruff	4
11	101506	Key	#3 Woodruff	3
12	103143	Shaft	Rear Output	1
13	101517	Gear	Drive	1
14	105082-2	End Cap	Relieved	1
15	101511	Spacer		1
16	101637	Roll Pin	$\frac{3}{32}$ " x $\frac{1}{2}$ "	2
17	101633	Gear Selector		1
18	101634	Shift Rod		1
19	101832	Selector Shaft		1
20	101528	Spring		1
21	101327	Ball	$\frac{3}{16}$ "	2
22	101530	Spacer		1
23	101541	Shift Knob	Black Plastic Ball	1
24	101631-3	Gear	40T	1
25	101631-2	Gear	51T	1
26	101631-1	Gear	60T	1
27	101516	Gear	32T	1
28	101508	Shaft	Input	1
29	101505	Snap Ring		1
30	101548	Key		1
31	101510	Spacer	Input Shaft (large)	1
32	100047	Roll Pin	$\frac{3}{16}$ " x 1"	1
33	101509-3	Gear	40T	1
34	101509-2	Gear	29T	1
35	101509-1	Gear	20T	1
36	101455	Plug	Magnetic	1
37	101525	Screw	$\frac{1}{2}$ "-20 x 1" (socket head)	5
38	101524	Screw	$\frac{1}{2}$ "-20 x $1\frac{1}{2}$ " (socket head)	3
39	100163	Plug		2
40	101939	Dowel Pin	Transfer Case	2
41	101503	Gear Box Case	Rear Half	1
42	105082	End Cap		1

WHEEL COMPONENTS — MK VII MODELS

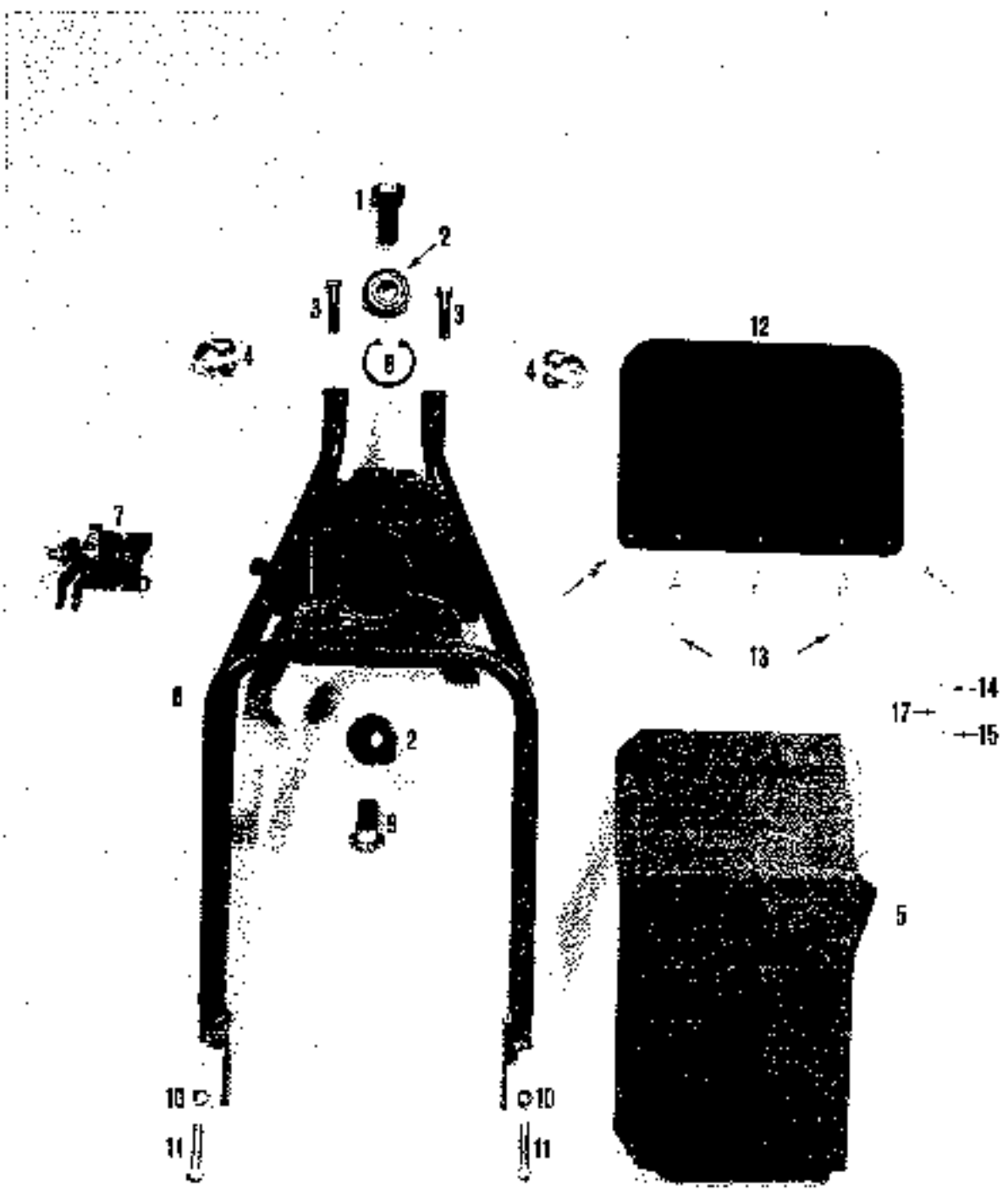


WHEEL COMPONENTS — MK VII MODELS

ITEM	PART NO.	NAME	DESCRIPTION	QTY.
1	102887	Wheel	15"	1
2	100518	O-Ring		1
3	100523	Filler Plug	Aluminum	1
4	100510	Sprocket	84T	1
5	100547	Lock Nut		5
6	100405	Axle		1
7	100772	Bearing	Sealed	2
8	100756	Spacer	Fill Side	1
9	100577	Axle Spacer		2
10	100208	Washer	3/8" Flat	2
11	101181	Bolt	3/4-24 x 1 3/4	2
12	100520	Tire	6.70 x 15 — 2 Ply	1
13	100521	Tube	6.70 x 15	1
14	100116	Wheel	12"	1
15	100542	Tire Valve	12" Wheel	1
16	100836	Tire	ROKON	1
17	100570	Brass Nut	N.S.	1
18	101719	Rubber Bushing	N.S.	1
19	101969	Rubber Washer	N.S.	1
20	100202	Washer	3/16" Flat	1
21	105072	Wheel Assembly	15"	1
22	100115	Wheel Assembly	12"	1
23	100758	Spacer	Sprocket Side	1
24	105030	Valve Stem Conversion	N.S.	1

N.S. (Not Shown)

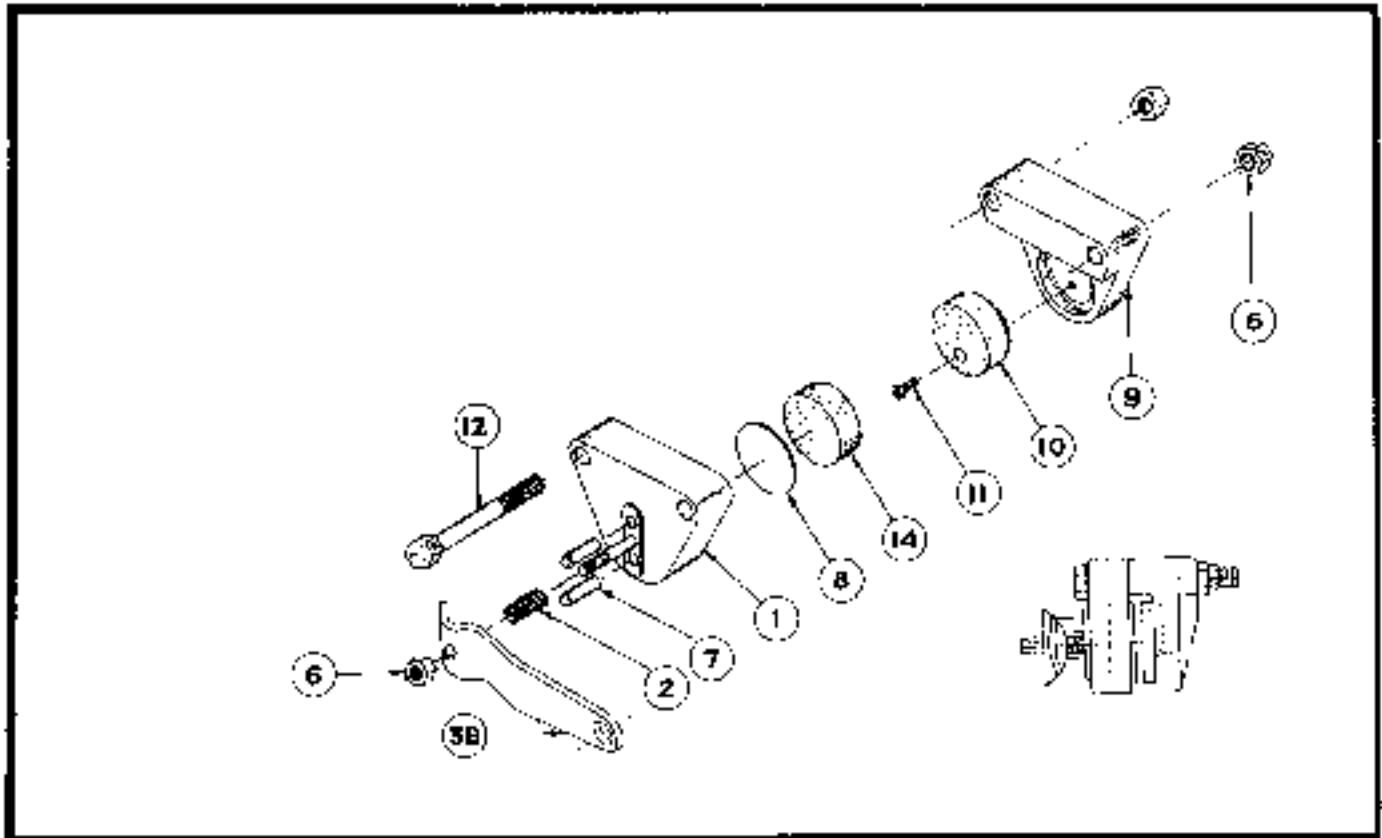
FRONT FORK -- MK VII MODELS



FRONT FORK — MK VII MODELS

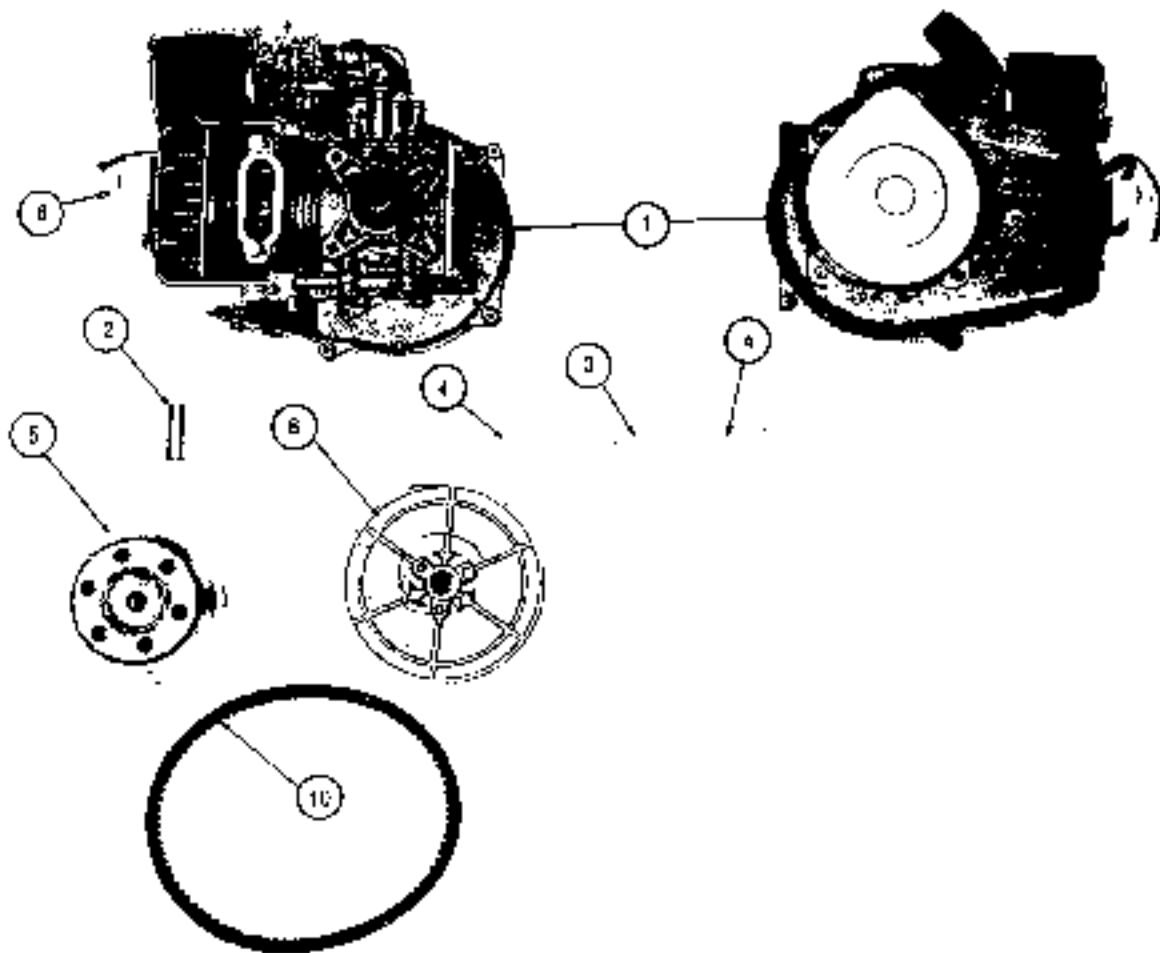
ITEM	PART NO.	NAME	DESCRIPTION	QTY.
1	107026	Bolt	$\frac{3}{8}$ -16 x $1\frac{1}{4}$	1
2	100772	Bearing	Sealed	2
3	101181	Screw	$\frac{3}{16}$ -24 x $1\frac{1}{2}$	2
4	101694	Handlebar Clamp		2
5	105070	Front Fender	MK VII	1
6	103136	Snap Ring		1
7	108002	Brake Caliper		1
8	105064	Front Fork W/dmt	MK VII	1
9	107025	Bolt	$\frac{3}{8}$ -16 x $1\frac{1}{4}$	1
10	100036	Nut	$\frac{3}{16}$ -24 Jam	2
11	100573	Screw	$\frac{3}{16}$ -24 x $1\frac{1}{2}$	2
12	100427	Mud Flap		1
13	100935	Pop Rivet		5
14	100034	Screw	10-32 x $\frac{1}{2}$	1
15	100037	Nut	10-32 Self Lock	3
16	100031	Front Fender Assembly	w/mud flap — N.S.	1
17	100165	Washer	10-32 Flat	1
18	100264	Screw	10-32 x $1\frac{1}{4}$ N.S.	2

N.S. (Not Shown)



ITEM	PART NO.	NAME	DESCRIPTION	QTY.
1	108023	Live Side Housing		1
2	108024	Compression Spring		1
3s	108025	Lever Arm (a and b specify)		1
6	108026	Locking Nut		3
7	108027	Actuating Pin		2
8	108028	Back Plate		1
9	108029	Dead Side Housing		1
10	108030	Dead Side Puck		1
11	108031	Flat Head Screw		1
12	108032	Hex Head Bolt		2
14	108033	Live Side Puck		1
15	108002	Caliper Assembly		1
N.S.	100788	Brake Spring (handle bar sec)		1

ENGINE POWER TRAIN



ENGINE POWER TRAIN

ITEM	PART NO.	NAME	DESCRIPTION	QTY.
1	100285	Engine Assembly	Chrysler B2031 (134cc)	1
2	100493	Engine Shaft Nut		1
3	100125	Fuel Filter		1
4	100123	Fuel Line		1
5	100883	Torque Converter	Front	1
6	100884	Torque Converter	Rear	1
7	100539	Bell	Torque Converter	1
8	100231	Cylinder Head Bracket		1

* Nut Supplied as a single part

X --- Assembly

N.S. — Not Shown