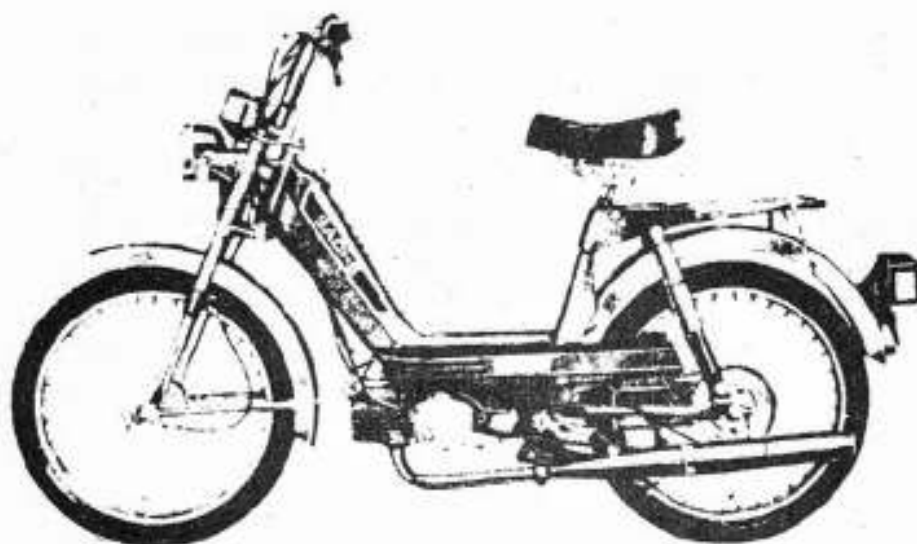


# SACHS

---

## Spare Parts List



## SUNDANCER



### Motor SACHS

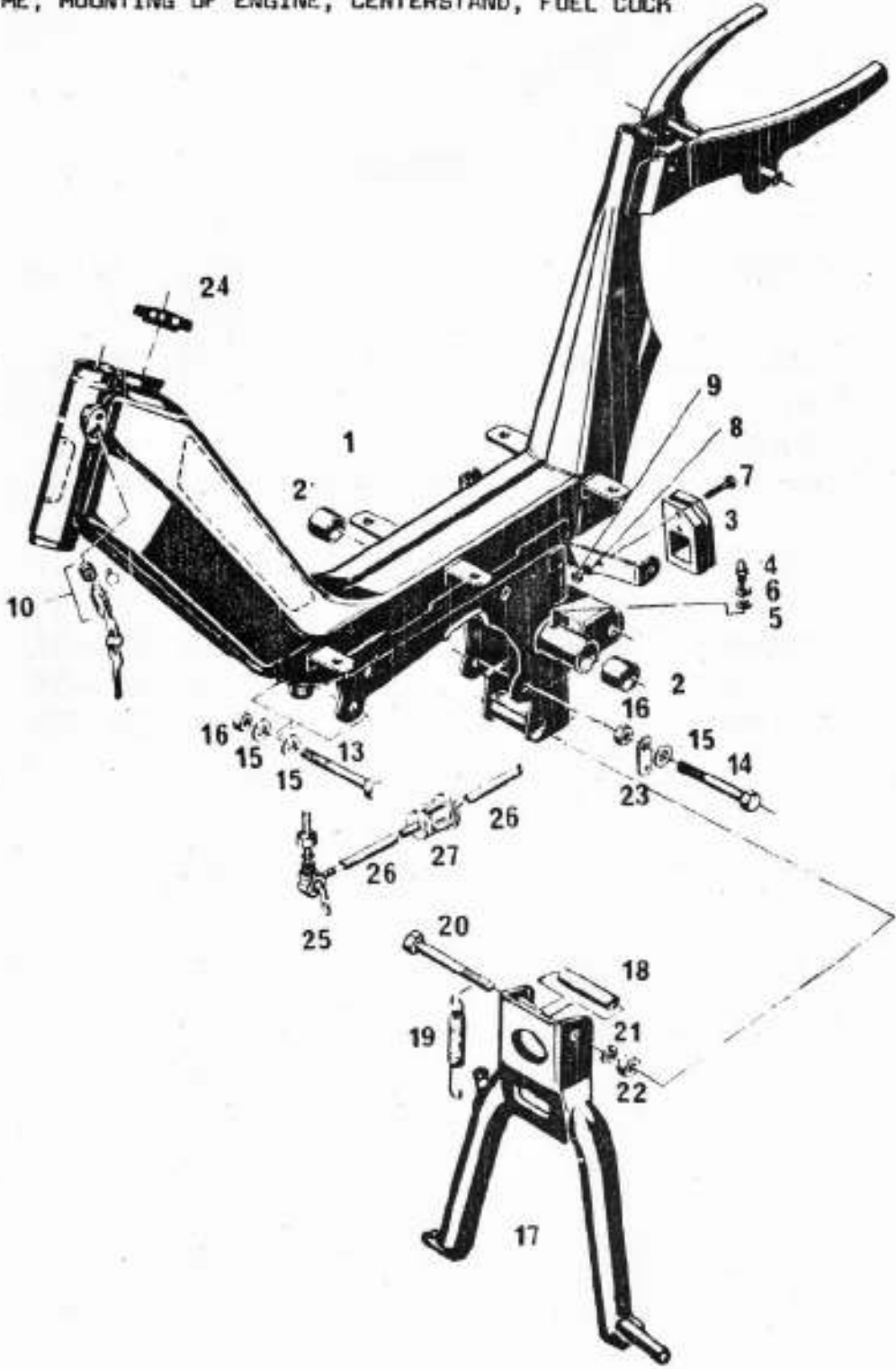
504/1 B	20 mph
504/1 A	25 mph
504/1 A	30 mph

## TABLE OF CONTENTS

### SUNDANCER

<u>SECTION</u>	<u>PAGE NO.</u>
FRAME, CENTERSTAND, FUEL COCK	2 - 3
FORK	4 - 5
HANDLEBAR, CONTROLS, CABLES	6 - 7
REAR SWINGARM, SHOCKS, PEDALS, CHAIN TENSIONNER	8 - 9
SEAT, FENDERS, LUGGAGE CARRIER, TOOLS	10 - 11
SIDE PANELS, EXHAUST SYSTEM, PAINTS	12 - 15
SPEEDOMETER, HEADLAMP, TAILLAMP	16 - 17
FRONT WHEEL	18 - 19
REAR WHEEL	20 - 21

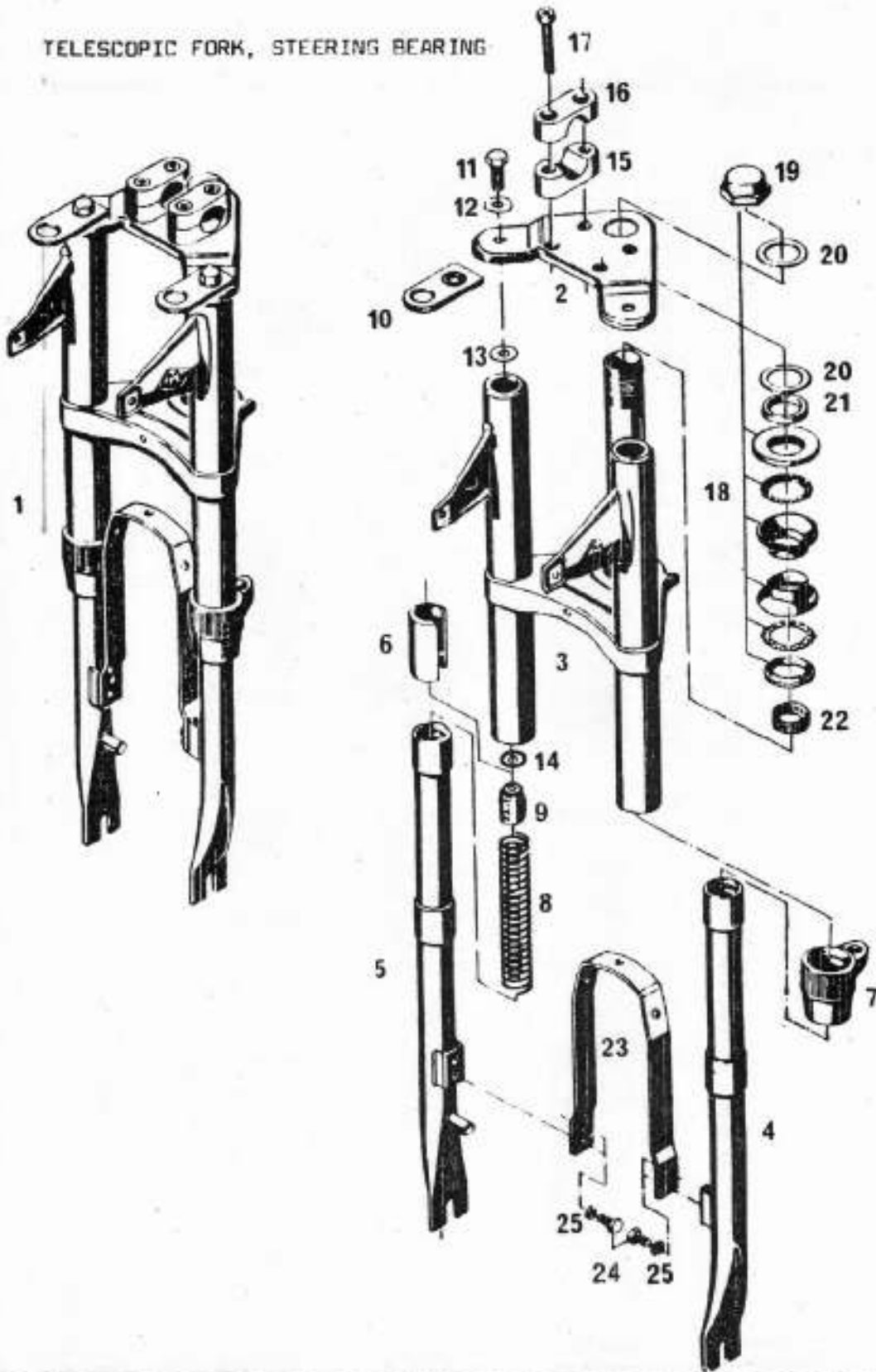
FRAME, MOUNTING OF ENGINE, CENTERSTAND, FUEL COCK



REFERENCE NUMBER	PART NO.	DESCRIPTION	SUNDANCER
1.	760 001 095	Frame, Blue	1
1.	760 001 096	Frame, Red	1
2.	760 000 257	Bushing	2
--	760 001 097	Decal "SACHS"	2
--	760 001 098	Decal, L.H. Blue	1
--	760 001 099	Decal, L.H. Red	1
--	760 001 100	Decal, R.H. Blue	1
--	760 001 101	Decal, R.H. Red	1
--	760 000 981	Decal "20 MPH"	1
--	760 000 728	Decal "25 MPH"	1
--	760 000 727	Decal "30 MPH"	1
3.	760 000 159	Sliding Piece	1
4.	760 000 314	Lubrication nipple for crank	1
5.	760 000 315	Sealing Ring	1
6.	760 000 326	Washer	1
7.	760 000 311	Screw, M5x25	1
8.	760 000 310	Washer	2
9.	760 000 308	Hex Nut, M5	1
10.	760 000 700	Lock Ass'y.	1
13.	760 000 350	Hex. Screw, M8x70	1
14.	760 000 349	Hex. Screw, M8x65	1
15.	760 000 348	Washer	3
16.	760 000 343	Hex. Nut, M8	2
17.	760 000 372	Center Stand Ass'y. (Illus. #17 thru 22)	1
18.	760 001 028	Tube	1
19.	760 000 254	Draw Spring	1
20.	760 000 350	Hex. Screw, M8x70	1
21.	760 000 352	Spring Ring	1
22.	760 000 762	Hex. Nut, M8	1
23.	760 000 234	Strap	1
24.	760 000 253	Tank Cap	1
--	760 000 726	Decal "Mix 1:50"	1
25.	760 000 181	Fuel Cock	1
26.	760 000 307	Fuel Hose, 5x9	F
27.	760 000 183	Filter	1

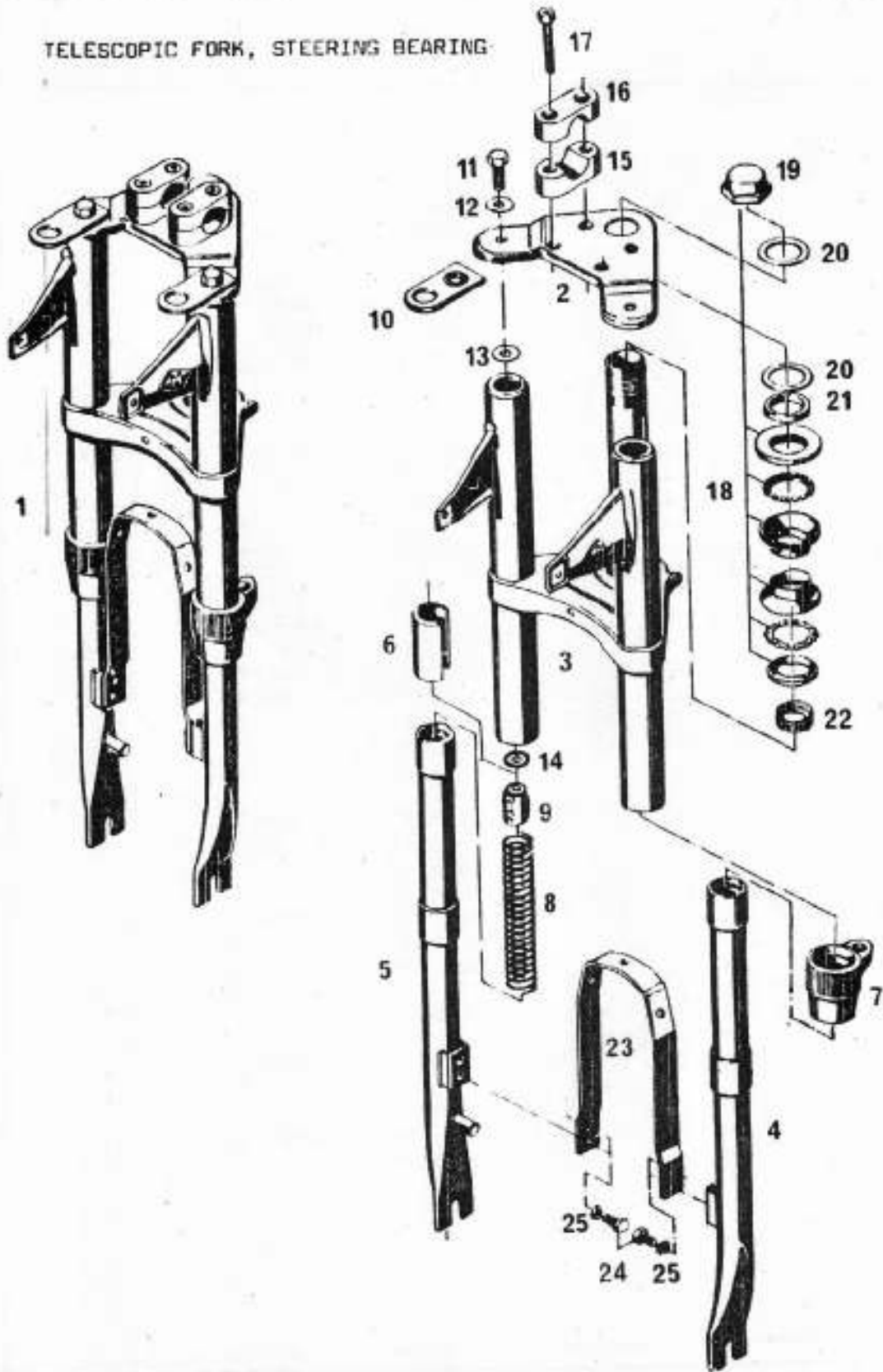
F = Foot

TELESCOPIC FORK, STEERING BEARING



REFERENCE NUMBER	PART NO.	DESCRIPTION	SUNDANCES
1.	760 001 102	Fork Ass'y., Blue (Illus. #1 thru #22)	1
1.	760 001 103	Fork Ass'y., Red (Illus. #1 thru #22)	1
2.	760 001 104	Upper Steering Yoke, Blue	1
2.	760 001 105	Upper Steering Yoke, Red	1
3.	760 001 106	Lower Steering Yoke, Blue	1
3.	760 001 107	Lower Steering Yoke, Red	1
4.	760 000 116	Fork Bar, Left	1
5.	760 000 117	Fork Bar, Right	1
6.	760 000 968	Plate	2
7.	760 000 251	Rubber Cap	2
8.	760 000 139	Pressure Spring	2
9.	760 000 138	Spring Holder	2
10.	760 000 209	Holder for Cables	2
11.	760 000 342	Hex. Screw, M8x20	2
12.	760 000 348	Washer	2
13.	760 000 241	Washer	2
14.	760 000 351	Washer	2
15.	760 000 669	Handlebar Bracket, Lower	2
16.	760 000 668	Handlebar Bracket, Upper	2
17.	760 000 759	Cylinder Screw, M6x45	4
18.	760 000 023	Steering Bearing Ass'y.	1
19.	760 000 664	Nut	1
20.	760 000 247	Shim	2
21.	760 000 706	Spacer Ring	1
22.	760 000 140	Clearance Ring	1
23.	760 000 454	Strap	1
24.	760 000 318	Hex. Screw, M6x10	4
25.	760 000 332	Washer, M6	4

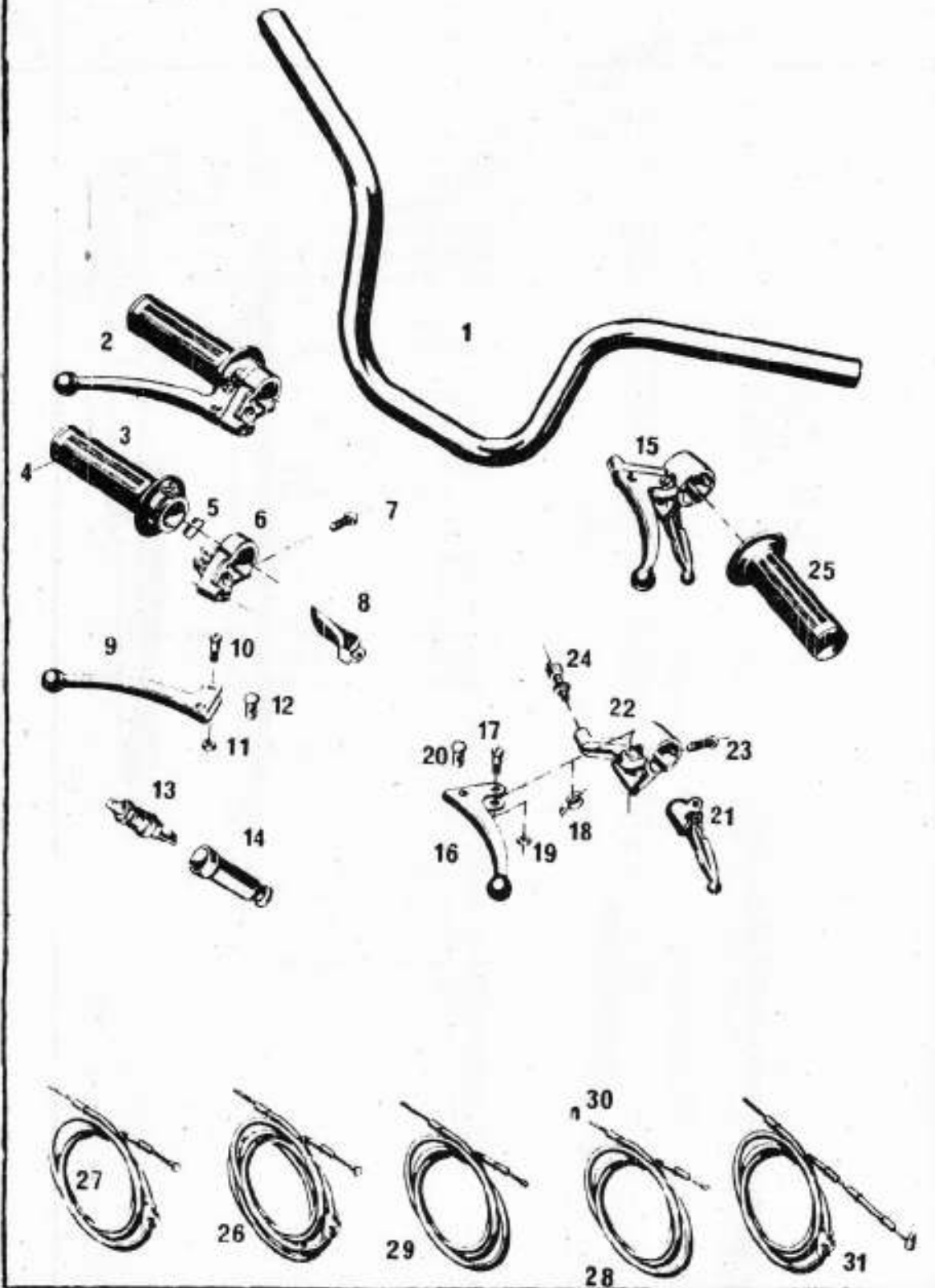
TELESCOPIC FORK, STEERING BEARING



REFERENCE NUMBER	PART NO.	DESCRIPTION	SUNDANCER
1.	760 001 102	Fork Ass'y., Blue (Illus. #1 thru #22)	1
1.	760 001 103	Fork Ass'y., Red (Illus. #1 thru #22)	1
2.	760 001 104	Upper Steering Yoke, Blue	1
2.	760 001 105	Upper Steering Yoke, Red	1
3.	760 001 106	Lower Steering Yoke, Blue	1
3.	760 001 107	Lower Steering Yoke, Red	1
4.	760 000 116	Fork Bar, Left	1
5.	760 000 117	Fork Bar, Right	1
6.	760 000 968	Plate	2
7.	760 000 251	Rubber Cap	2
8.	760 000 139	Pressure Spring	2
9.	760 000 138	Spring Holder	2
10.	760 000 209	Holder for Cables	2
11.	760 000 342	Hex. Screw, M8x20	2
12.	760 000 348	Washer	2
13.	760 000 241	Washer	2
14.	760 000 351	Washer	2
15.	760 000 669	Handlebar Bracket, Lower	2
16.	760 000 668	Handlebar Bracket, Upper	2
17.	760 000 759	Cylinder Screw, M6x45	4
18.	760 000 023	Steering Bearing Ass'y.	1
19.	760 000 664	Nut	1
20.	760 000 247	Shim	2
21.	760 000 706	Spacer Ring	1
22.	760 000 140	Clearance Ring	1
23.	760 000 454	Strap	1
24.	760 000 318	Hex. Screw, M6x10	4
25.	760 000 332	Washer, M6	4

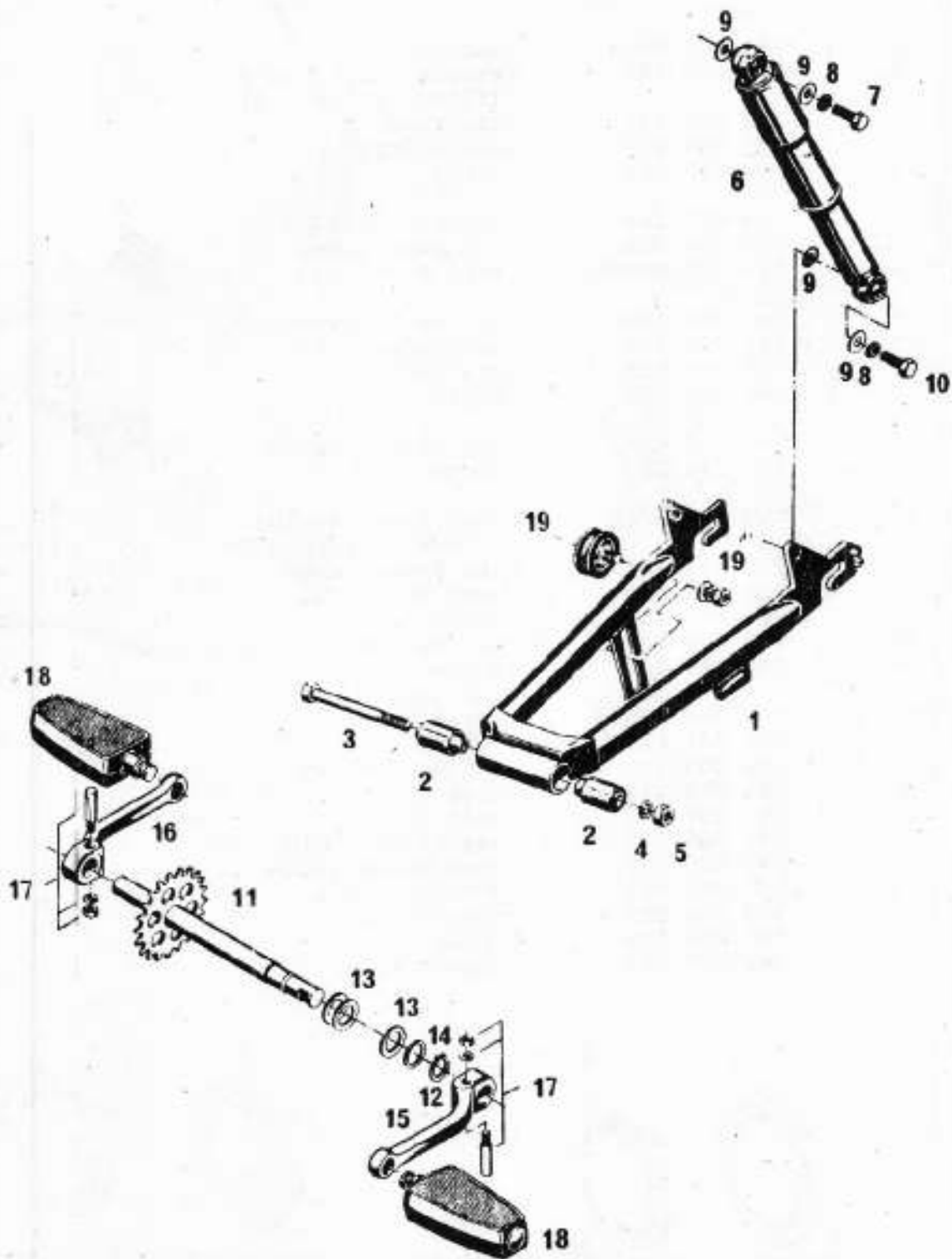


HANDLEBAR, CONTROLS, CABLES



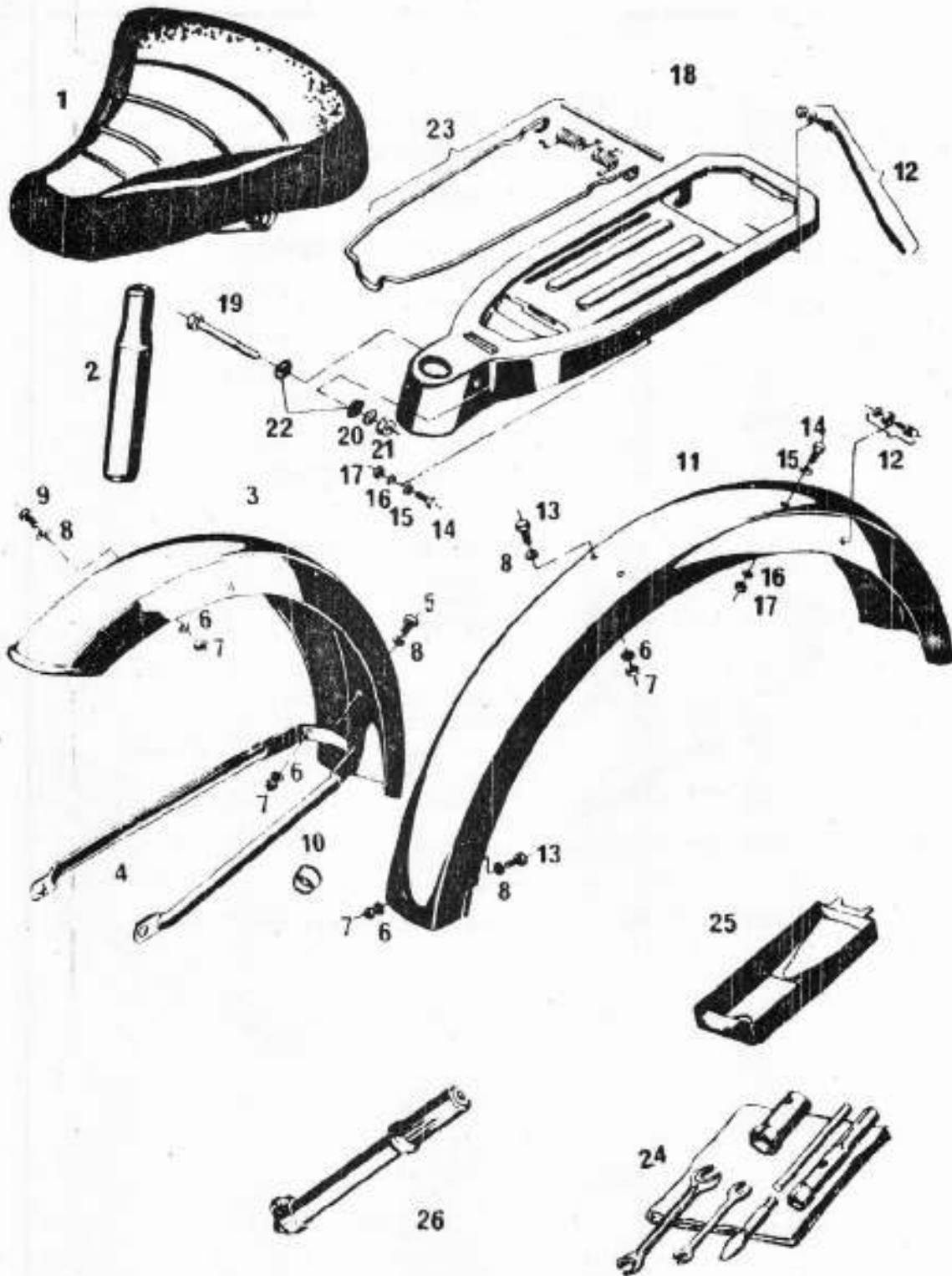
REFERENCE NUMBER	PART NO.	DESCRIPTION	SUNDANCER
1.	760 000 893	Handlebar	1
2.	760 000 666	Throttle Grip Ass'y. (Illus. #2 thru #12)	1
3.	760 000 673	Grip Tube	1
4.	760 000 674	Handle Grip	1
5.	760 000 914	Spring	1
6.	760 000 164	Throttle Housing	1
7.	760 000 333	Oval Head Screw	1
8.	760 000 894	Choke Lever	1
9.	760 000 169	Hand Brake Lever	1
10.	760 000 010	Lever Screw, M5	1
11.	760 000 909	Hex. Nut, M5	1
12.	760 000 180	Nipple	1
13.	760 000 304	Stop Light Switch	2
14.	760 000 282	Rubber Cap	2
15.	760 000 605	Brake Lever Ass'y. (Illus. #15 thru 23)	1
16.	760 001 108	Hand Brake Lever	1
17.	760 000 010	Lever Screw, M5	1
18.	760 001 109	Spring	1
19.	760 000 909	Hex. Nut, M5	1
20.	760 000 180	Nipple	1
21.	760 000 606	Clutch Lever	1
22.	760 001 110	Housing	1
23.	760 000 333	Flat Head Screw	1
24.	760 000 014	Screw	1
25.	760 000 670	Fixed Grip	1
26.	760 000 178	Rear Brake Cable	1
27.	760 000 980	Front Brake Cable	1
28.	760 000 915	Throttle Cable	1
29.	760 000 895	Choke Cable	1
30.	760 000 179	Nipple	2
31.	760 000 177	Clutch Cable	1

REAR SWINGARM, SHOCK ABSORBERS, PEDALS , CHAIN TENSIONER



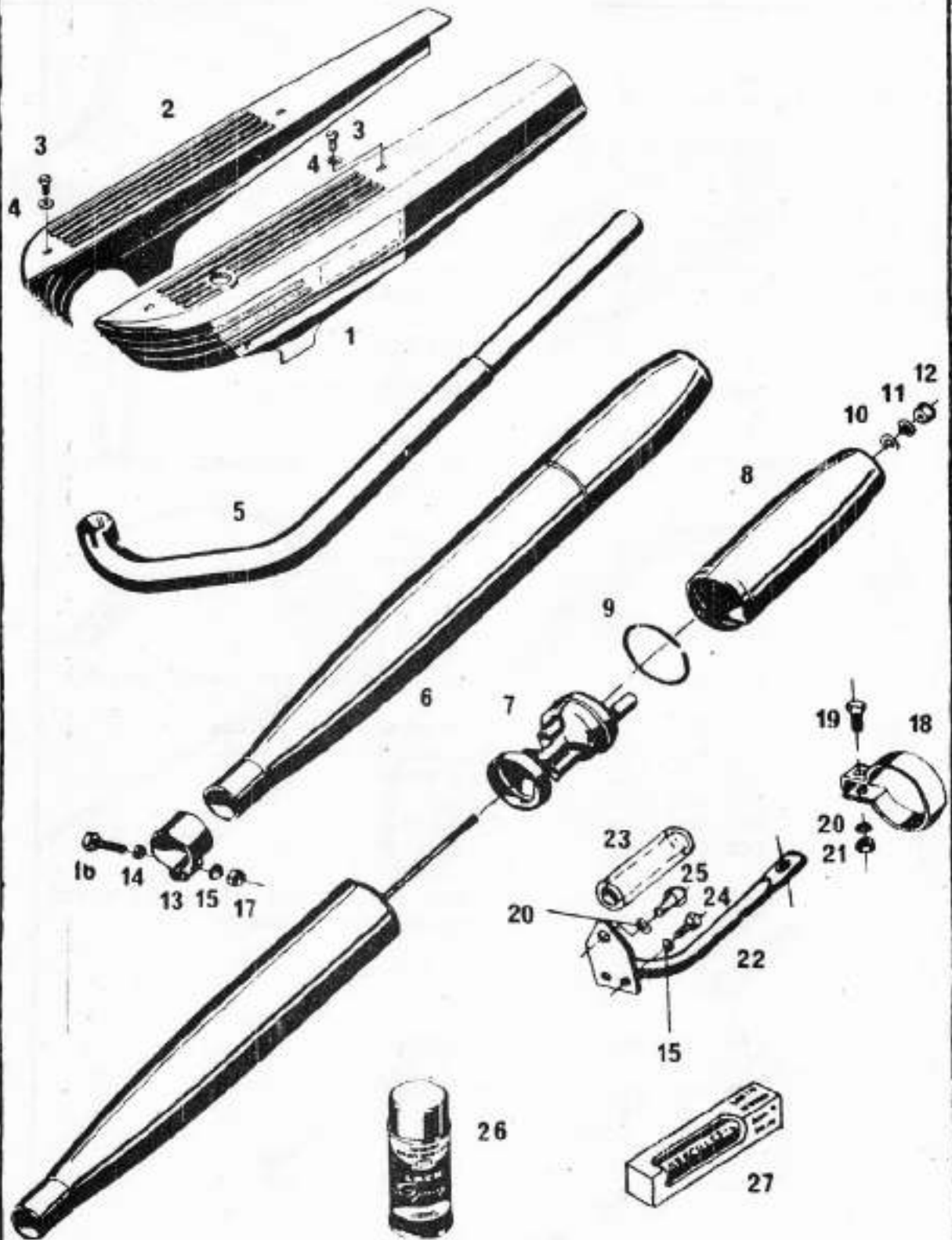
REFERENCE NUMBER	PART NO.	DESCRIPTION	SUNDANCER
1.	760 001 111	Rear Swingarm Ass'y., Blue	1
1.	760 001 112	Rear Swingarm Ass'y., Red	1
2.	760 000 047	Silentbloc	2
3.	760 000 359	Hex. Screw, M10x105	1
4.	760 000 355	Washer	1
5.	760 000 356	Hex. Nut, M10	1
6.	760 000 115	Rear Shock Absorber	2
7.	760 000 347	Hex. Screw, M8x60	2
8.	760 000 352	Washer	4
9.	760 000 240	Washer	8
10.	760 000 341	Hex. Screw, M8x40	2
11.	760 000 086	Crank w/20 tooth sprocket	1
12.	760 000 245	Washer	x
13.	760 000 246	Washer	3
14.	760 000 364	Retaining Ring	1
15.	760 000 089	Pedal Crank, L.H.	1
16.	760 000 090	Pedal Crank, R.H.	1
17.	760 000 215	Crank Wedge w/washer & nut	2
18.	760 000 016	Pedals, L.H.,R.H. (Pair)	1
--	760 000 257	Bushing	2
19.	760 000 046	Chain Tensioner Ass'y.	1

SEAT, FENDERS, LUGGAGE CARRIER, TOOLS



REFERENCE NUMBER	PART NO.	DESCRIPTION	SUNDANCER
1.	760 000 985	Seat	1
2.	760 000 048	Tube	1
3.	760 000 987	Front Fender	1
4.	760 000 608	Strut	1
5.	760 000 922	Hex. Screw	2
6.	760 000 332	Washer	7
7.	760 000 320	Hex. Nut, M6	7
8.	760 000 326	Washer	7
9.	760 000 322	Hex. Screw	2
10.	760 000 913	Rubber Washer	1
--	760 000 620	Amber Reflector	2
11.	760 000 988	Rear Fender	1
12.	760 001 031	Strut Ass'y. w/cap nut, washer, and screw	2
13.	760 000 319	Hex. Screw, M6x12	3
14.	760 000 309	Hex. Screw, M5x12	4
15.	760 000 310	Washer	4
16.	760 000 313	Washer	4
17.	760 000 741	Hex. Nut, M5	4
--	760 000 970	Rubber grommet for cable porch	1
18.	760 001 113	Luggage Carrier, Blue	1
18.	760 001 114	Luggage Carrier, Red	1
19.	760 001 022	Hex. Screw	1
20.	760 000 352	Washer	1
21.	760 000 345	Hex. Nut, M8	1
22.	760 000 348	Washer	2
--	760 000 951	Rubber Bumper for clamping strap	4
23.	760 000 021	Clamping Stray Ass'y.	1
24.	760 000 151	Tool Set Ass'y.	1
25.	760 000 261	Tool Box	1
26.	760 000 217	Air Pump	1

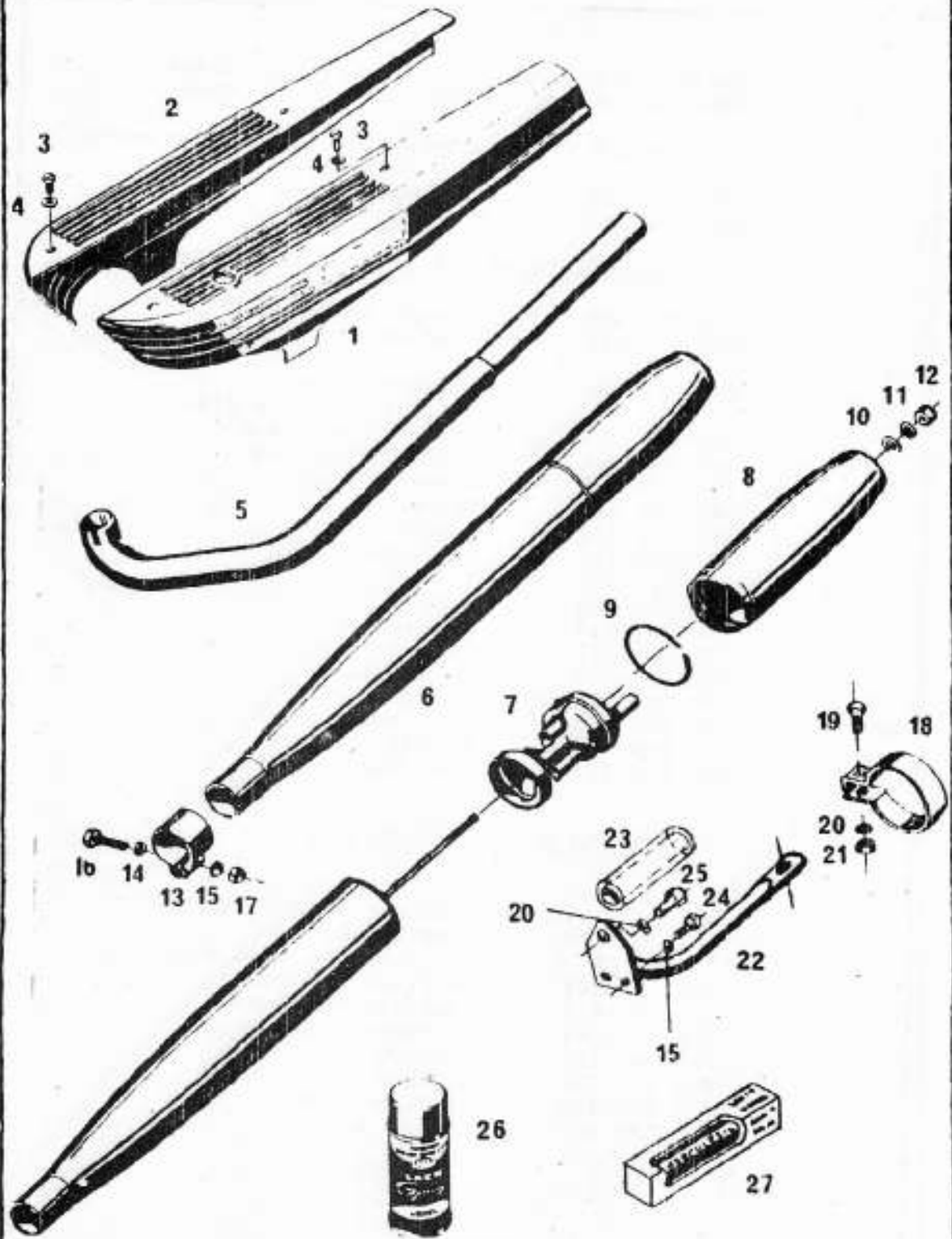
SIDE PANELS, EXHAUST SYSTEM, COLOR SPRAY, TOUCH-UP STICK



REFERENCE NUMBER	PART NO.	DESCRIPTION	SUNDANCER
1.	760 000 155	Side Panel, L.H., Black	1
2.	760 000 156	Side Panel, R.H., Black	1
--	760 001 115	Decal, L.H., R.H., "Sundancer"	2
3.	760 000 317	Flat Head Screw	6
4.	760 000 243	Washer	6
<u>EXHAUST SYSTEM FOR 20 MPH AND 25 MPH</u>			
5.	760 000 409	Exhaust Pipe (20 MPH)	1
5.	760 000 801	Exhaust Pipe (25 MPH)	1
6.	760 001 033	Muffler Ass'y. (Illus. #6 thru #12)	1
7.	760 000 591	Muffler Insertion	1
8.	760 000 368	Muffler Endpiece	1
9.	760 000 184	Asbestos Cord	F
10.	760 000 326	Washer	1
11.	760 000 324	Washer	1
12.	760 000 320	Hex. Nut, M6	1
13.	760 000 460	Clamp	1
14.	760 000 326	Washer	1
15.	760 000 324	Washer	3
16.	760 000 327	Hex. Screw	1
17.	760 000 320	Hex. Nut, M6	1
18.	760 000 704	Clamp	1
19.	760 000 342	Hex. Screw	1
20.	760 000 766	Washer	2
21.	760 000 762	Hex. Nut, M8	1
<u>EXHAUST SYSTEM FOR 30 MPH</u>			
5.	760 000 898	Exhaust Pipe (30 MPH)	1
6.	760 000 623	Muffler Ass'y. (Illus. #6 thru #12)	1
7.	760 000 624	Muffler Insertion	1
8.	760 000 625	Muffler Endpiece	1
9.	760 000 184	Asbestos Cord	F
10.	760 000 326	Washer	1
11.	760 000 324	Washer	1
12.	760 000 320	Hex. Nut, M6	1
18.	760 000 703	Clamp	1
22.	760 000 461	Strut	1



SIDE PANELS, EXHAUST SYSTEM, COLOR SPRAY, TOUCH-UP STICK



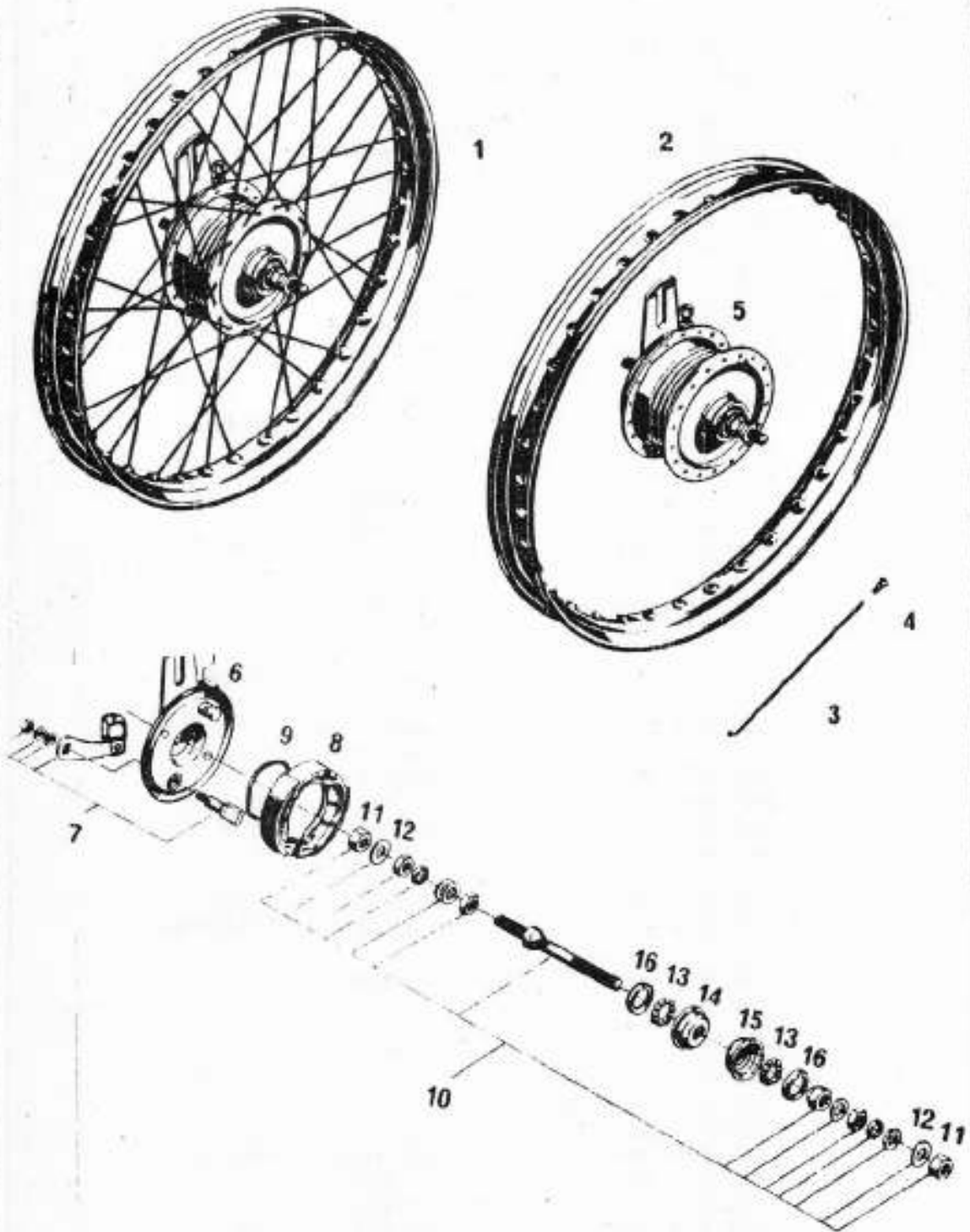
REFERENCE NUMBER	PART NO.	DESCRIPTION	SUNDANCER
23.	760 000 250	Rubber Tube	F
24.	760 000 319	Hex. Screw	2
25.	760 000 340	Hex. Screw	1
26.	760 001 116	Spray Paint, Blue	X
26.	760 001 117	Spray Paint, Red	X
27.	760 001 118	Touch Up Paint, Blue	X
27.	760 001 119	Touch Up Paint, Red	X

F = Foot

X = As Required

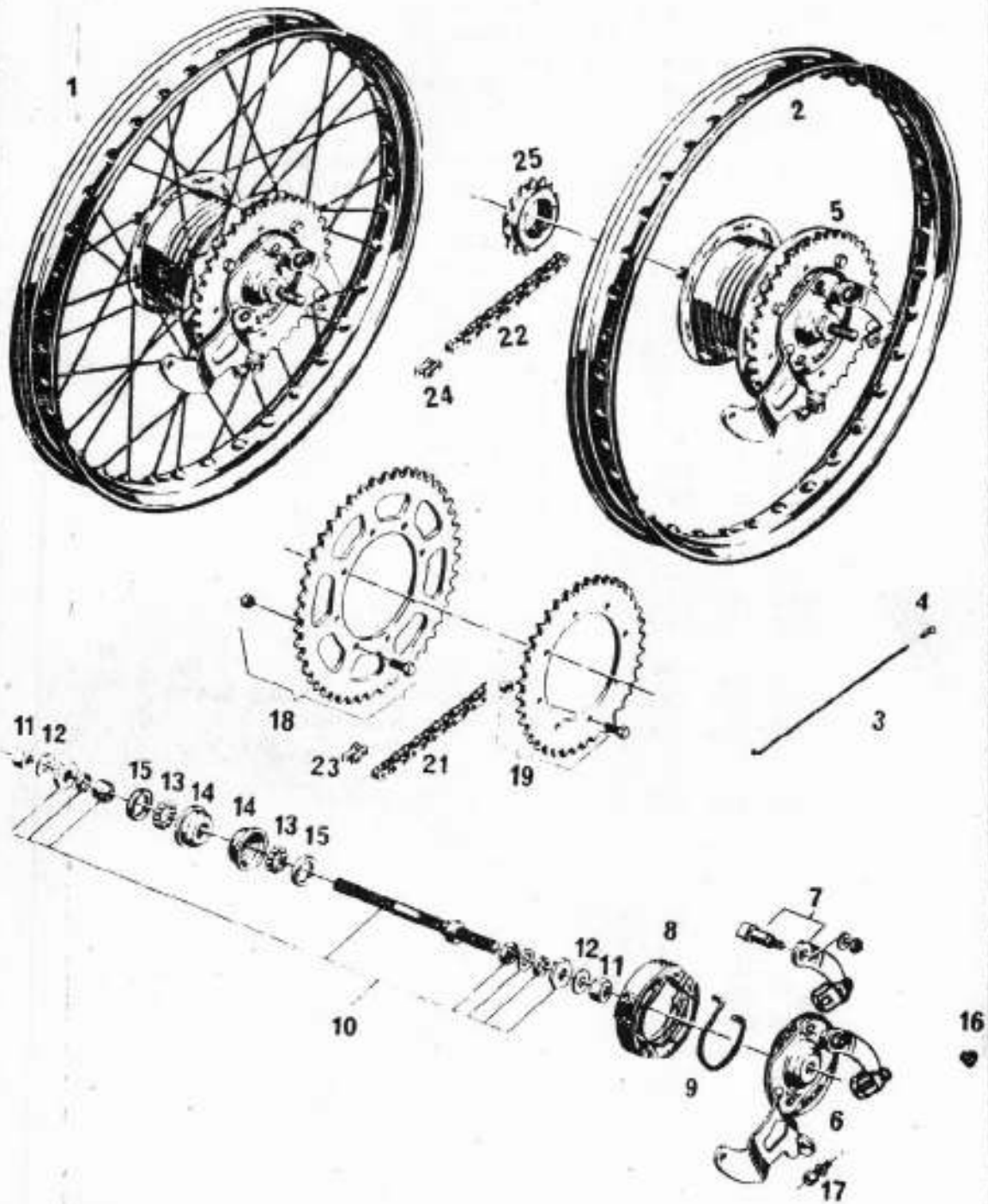
REFERENCE NUMBER	PART NO.	DESCRIPTION	SUNDANCER
1.	760 000 192	Speedometer (40 MPH)	1
2.	760 000 335	Damper Holder Ass'y.	1
4.	760		
4.	760 000 279	Housing	1
5.	760 001 005	Retaining Plate	1
6.	760 000 743	Hex Screw	2
7.	760 000 745	Washer	4
8.	760 000 741	Hex. Nut, M5	2
9.	760 000 280	Cap	1
10.	760 000 281	Grommet	1
11.	760 000 695	Bulb, 6V/6W	1
12.	760 000 193	Speedo Cable	1
13.	760 000 954	Speedo Drive	1
14.	760 001 016	Headlamp Ass'y. (Illus. #14 thru #21)	1
15.	760 000 957	Headlamp Insert	1
16.	760 000 958	Socket	1
17.	760 000 946	Bulb, 6V/21W	1
--	760 000 334	Headlamp Housing	1
18.	760 000 201	Spring	8
19.	760 000 200	Screw	1
20.	760 000 202	Hex. Screw	2
21.	760 000 203	Washer	2
22.	760 000 935	Side Reflector, Amber	2
23.	760 001 034	Tail Lamp Ass'y. (Illus. #23 thru #27)	1
24.	760 001 035	Taillamp Lens	1
--	760 000 937	Screw, Taillamp Lens	2
--	760 000 939	Resistor, Taillight	1
25.	760 001 027	Reflector	1
26.	760 000 589	Taillamp bulb, 6V/5W	1
27.	760 000 584	Brake Lite Bulb, 6V/10W	1
28.	760 000 967	Base Plate	1
29.	760 000 213	Horn	1
30.	760 000 326	Washer	1
31.	760 000 753	Hex. Nut, M6	1
32.	760 000 322	Screw	1
33.	760 000 203	Washer	1
34.	760 000 614	Diode	1
35.	760 000 304	Switch, hand brake	2
36.	760 000 282	Rubber Boot	2
37.	760 000 792	Light Switch	1
38.	760 000 693	Engine Kill Switch	1

FRONT WHEEL



REFERENCE NUMBER	PART NO.	DESCRIPTION	SUNDANCER
1.	760 001 120	Front Wheel Ass'y. (Illus. #1 thru #18)	1
2.	760 000 186	Rim	1
3.	760 000 188	Spoke 2,34 x 190	36
4.	760 000 011	Spoke Nipple 2,34	36
5.	760 001 121	Front Brake Hub Ass'y. (Illus. #5 thru #18)	1
6.	760 000 971	Brake Plate Ass'y. (Illus. #6 & #7)	1
7.	760 000 972	Brake Lever w/brake cams, washer and nut	1
8.	760 000 632	Brake Shoe Ass'y. (Set)	1
9.	760 000 812	Brake Shoe Spring	1
10.	760 000 532	Front Axle Ass'y. (Illus. #10 thru #12)	1
11.	760 000 513	Axle Nut, M11 x 1	2
12.	760 000 519	Washer	2
13.	760 000 003	Ball, 1/4"	20
14.	760 000 630	Cup	1
15.	760 000 528	Cup (Speedo Side)	1
16.	760 000 541	Dust Cap	2
17.	760 000 627	Plug for inspection holes	2
18.	760 000 552	Adj. Screw w/nut	1
--	760 000 015	Rim Band, 20-22"	1

REAR WHEEL



REFERENCE NUMBER	PART NO.	DESCRIPTION	SUNDANCER
1.	760 001 121	Rear Wheel Ass'y. w/out tire 50 tooth (20 MPH) (Illus. #1 thru #18)	1
1.	760 001 122	Rear Wheel Ass'y. w/out tire 45 tooth (25 MPH & 30 MPH) (Illus. #1 thru #18)	1
2.	760 000 186	Rim	1
3.	760 000 187	Spoke 2,34 x 188	18
3.	760 000 188	Spoke 2,34 x 190	18
4.	760 000 011	Spoke Nipple 2,34	36
5.	760 001 123	Rear Brake Hub, 50 tooth (20 MPH) (Illus. #5 thru #18)	1
5.	760 001 124	Rear Brake Hub, 45 tooth (25 & 30 MPH) (Illus. #5 thru #18)	1
6.	760 000 548	Brake Plate Ass'y.	1
7.	760 000 536	Brake Lever w/brake cams, washer, and nut	1
8.	760 000 537	Brake Shoes (Set)	1
9.	760 000 629	Brake Shoe Spring	1
10.	760 000 534	Axle Ass'y. w/cones, washers and nuts	1
11.	760 000 513	Axle Nut, M11 x 1	2
12.	760 000 519	Washer	2
13.	760 000 845	Ball, 7/32"	22
14.	760 000 520	Cup	2
15.	760 000 516	Dust Cup w/felt ring & washer	2
16.	760 000 627	Plug for inspection holes	2
17.	760 000 552	Adj. screw w/nut	1
18.	760 000 553	Sprocket Ass'y. 50 tooth (20 MPH)	1
19.	760 001 125	Sprocket Ass'y. 45 tooth (25 MPH & 30 MPH)	1
20.	760 000 153	Chain tensioner w/washer & nut	1
21.	760 000 111	Drive Chain, 1x12,7x4,88x106 links	1
22.	760 000 110	Pedal Chain 4x12,7x3.3x78 links	1
23.	760 000 113	Master Link (Drive Chain)	1
24.	760 000 112	Master Link (Crank Chain)	1
25.	760 000 555	Idle Sprocket, 16 tooth	1
--	760 000 015	Rim 20-22"/23	1

